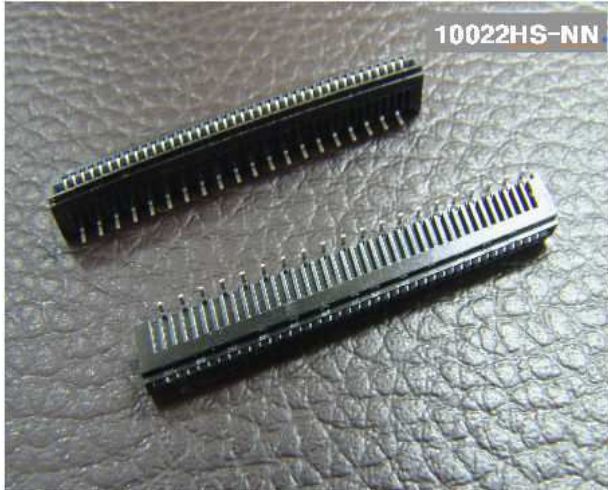


1.00mm

(0.039") PITCH CONNECTOR

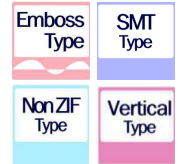


Material

I/NO	DESCRIPTION	MATERIAL
1	HOUSING	PPS, UL94V-0
2	TERMINAL	Phosphor Bronze, Tin-plated

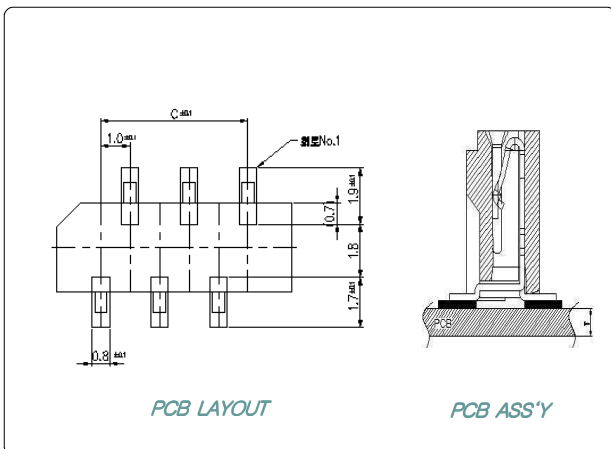
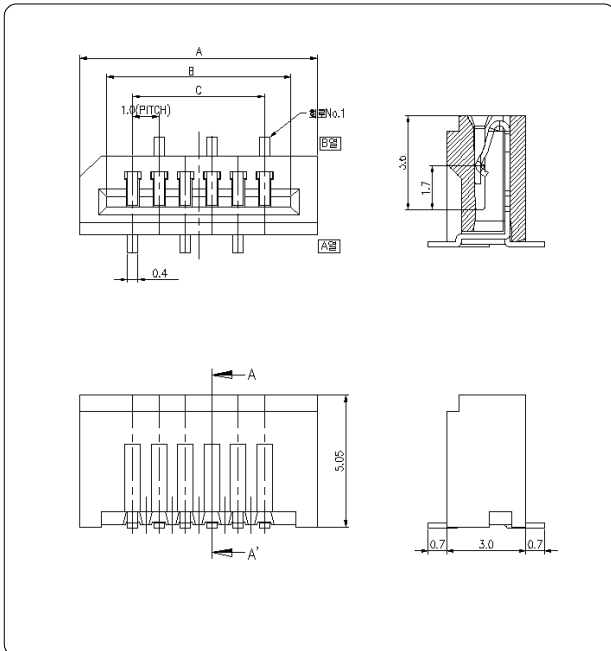
FPC/FFC Connectors

Housing



Available Pin

PARTS NO.	A	B	C
10022HS-04	7.0	5.0	3.0
10022HS-05	8.0	6.0	4.0
10022HS-06	9.0	7.0	5.0
10022HS-07	10.0	8.0	6.0
10022HS-08	11.0	9.0	7.0
10022HS-09	12.0	10.0	8.0
10022HS-10	13.0	11.0	9.0
10022HS-11	14.0	12.0	10.0
10022HS-12	15.0	13.0	11.0
10022HS-13	16.0	14.0	12.0
10022HS-14	17.0	15.0	13.0
10022HS-15	18.0	16.0	14.0
10022HS-16	19.0	17.0	15.0
10022HS-17	20.0	18.0	16.0
10022HS-18	21.0	19.0	17.0
10022HS-19	22.0	20.0	18.0
10022HS-20	23.0	21.0	19.0
10022HS-21	24.0	22.0	20.0
10022HS-22	25.0	23.0	21.0
10022HS-23	26.0	24.0	22.0
10022HS-24	27.0	25.0	23.0
10022HS-25	28.0	26.0	24.0
10022HS-26	29.0	27.0	25.0
10022HS-27	30.0	28.0	26.0
10022HS-28	31.0	29.0	27.0
10022HS-29	32.0	30.0	28.0
10022HS-30	33.0	31.0	29.0
10022HS-35	38.0	36.0	34.0



Specification

ITEM	SPEC
Voltage Rating	AC/DC 50V
Current Rating	AC/DC 0.5A
Operating Temperature	-25℃~+85℃
Contact Resistance	30mΩ MAX
Withstanding Voltage	AC500V/1min
Insulation Resistance	100MΩ MIN
Applicable Wire	-
Applicable P.C.B	0.8 ~ 1.6mm
Applicable FPC/FFC	0.30±0.03mm
Solder Height	0.15mm
Crimp Tensile Strength	-
UL FILE NO	-