

0.50mm

(0.02") PITCH CONNECTOR



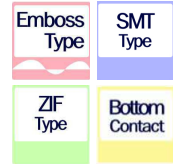
05003HR-NNA02

Material

I/NO	DESCRIPTION	MATERIAL
1	HOUSING	PA46, UL94V-0
2	ACTUATOR	PPS, UL94V-0
3	TERMINAL	Phosphor Bronze, Au-plated
4	HOOK	Phosphor Bronze, Au-plated

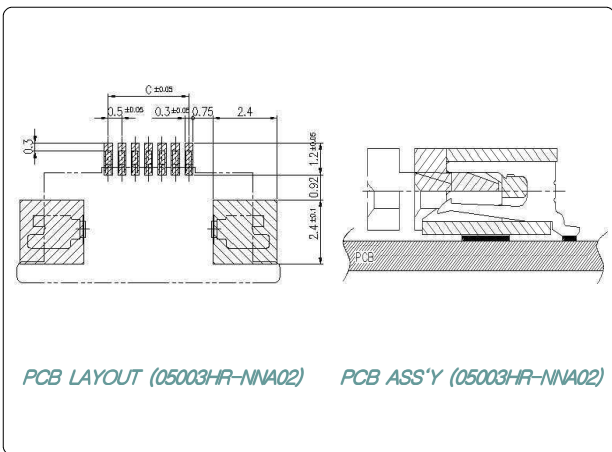
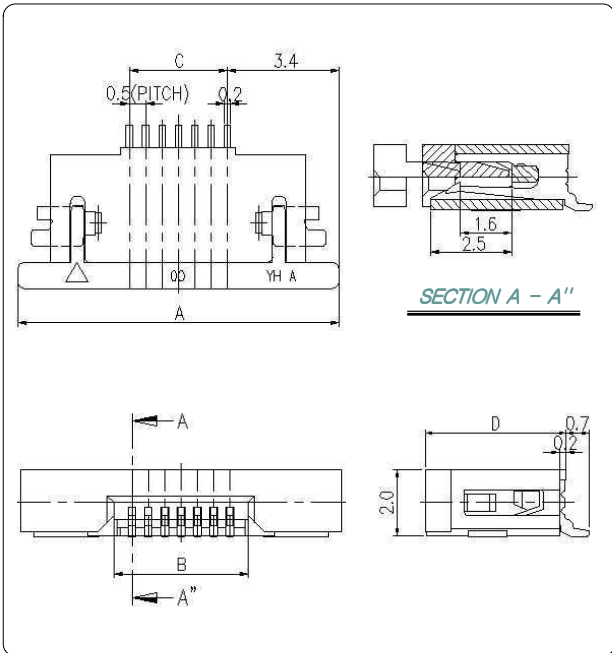
FPC/FFC Connectors

Housing



Available Pin

PARTS NO.	A	B	C	D
05003HR-04A02	8.30	2.50	1.50	4.30
05003HR-05A02	8.80	3.00	2.00	4.30
05003HR-06A02	9.30	3.50	2.50	4.30
05003HR-07A02	9.80	4.00	3.00	4.30
05003HR-08A02	10.3	4.50	3.50	4.30
05003HR-09A02	10.8	5.00	4.00	4.30
05003HR-10A02	11.3	5.50	4.50	4.30
05003HR-11A02	11.8	6.00	5.00	4.30
05003HR-12A02	12.3	6.50	5.50	4.30
05003HR-13A02	12.8	7.00	6.00	4.30
05003HR-14A02	13.3	7.50	6.50	4.30
05003HR-15A02	13.8	8.00	7.00	4.30
05003HR-16A02	14.3	8.50	7.50	4.30
05003HR-17A02	14.8	9.00	8.00	4.30
05003HR-18A02	15.3	9.50	8.50	4.30
05003HR-19A02	15.8	10.0	9.00	4.30
05003HR-20A02	16.3	10.5	9.50	4.30
05003HR-21A02	16.8	11.0	10.0	4.50
05003HR-22A02	17.3	11.5	10.5	4.50
05003HR-23A02	17.8	12.0	11.0	4.50
05003HR-24A02	18.3	12.5	11.5	4.50
05003HR-25A02	18.8	13.0	12.0	4.50
05003HR-26A02	19.3	13.5	12.5	4.50
05003HR-27A02	19.8	14.0	13.0	4.50
05003HR-28A02	20.3	14.5	13.5	4.50
05003HR-29A02	20.8	15.0	14.0	4.50
05003HR-30A02	21.3	15.5	14.5	4.50
05003HR-31A02	21.8	16.0	15.0	4.50
05003HR-32A02	22.3	16.5	15.5	4.50
05003HR-33A02	22.8	17.0	16.0	4.50
05003HR-34A02	23.3	17.5	16.5	4.50
05003HR-35A02	23.8	18.0	17.0	4.50
05003HR-36A02	24.3	18.5	17.5	4.50
05003HR-37A02	24.8	19.0	18.0	4.50
05003HR-38A02	25.3	19.5	18.5	4.50
05003HR-39A02	25.8	20.0	19.0	4.50
05003HR-40A02	26.3	20.5	19.5	4.50
05003HR-41A02	26.8	21.0	20.0	5.00
05003HR-42A02	27.3	21.5	20.5	5.00
05003HR-43A02	27.8	22.0	21.0	5.00
05003HR-44A02	28.3	22.5	21.5	5.00
05003HR-45A02	28.8	23.0	22.0	5.00
05003HR-46A02	29.3	23.5	22.5	5.00
05003HR-47A02	29.8	24.0	23.0	5.00
05003HR-48A02	30.3	24.5	23.5	5.00
05003HR-49A02	30.8	25.0	24.0	5.00
05003HR-50A02	31.3	25.5	24.5	5.00



Specification

ITEM	SPEC
Voltage Rating	AC/DC 50V
Current Rating	AC/DC 0.5A
Operating Temperature	-25℃~+85℃
Contact Resistance	30mΩ MAX
Withstanding Voltage	AC250V/1min
Insulation Resistance	100MΩ MIN
Applicable Wire	-
Applicable P.C.B	0.8 ~ 1.6mm
Applicable FPC/FFC	0.30±0.02mm
Solder Height	0.15mm
Crimp Tensile Strength	-
UL FILE NO	-