

Specifications

Conductor Resistance: 237Ω/km max.
 Insulation Resistance: 100MΩ min. (km)
 Dielectric Strength: 2,000V AC / minute
 Flame Resistance: VW-1

Materials and Finish

Insulation: PVC
 Conductor: 28 AWG (7/0.127mm) stranded copper wire



Features

- 1.0mm pitch flat cable designed for termination with a high density 2.0mm IDC connector
- UL Style No. 2651

Part Number (Details)

DK 10 - 1.0 *

Cable Series

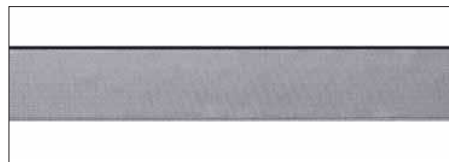
Number of Conductors:
10 to 68

Pitch: 1.0mm

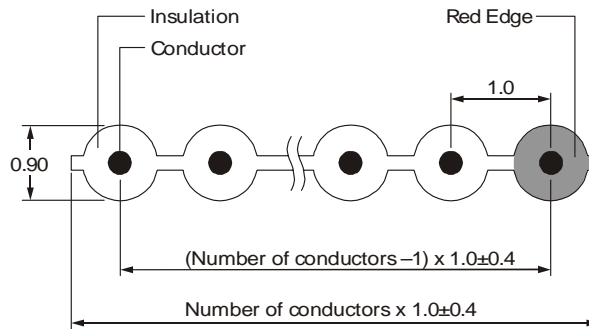
Unmarked = 30.5 meters per Reel
M = 1 meter (on request)

Standard Cable Length

see Part Number (Details)



Cable Dimensions



Part Number	No. of Conductors	Part Number	No. of Conductors
DK10-1.0*	10	DK34-1.0*	34
DK12-1.0*	12	DK40-1.0*	40
DK14-1.0*	14	DK44-1.0*	44
DK15-1.0*	15	DK50-1.0*	50
DK16-1.0*	16	DK60-1.0*	60
DK20-1.0*	20	DK64-1.0*	64
DK25-1.0*	25	DK68-1.0*	68
DK26-1.0*	26		

Specifications

Conductor Resistance:	216Ω/km max.
Insulation Resistance:	100MΩ min. (km)
Current Rating:	2A max.
Voltage Rating:	300V
Temperature Range:	-30°C to +105°C
Dielectric Strength:	2,000 V AC / minute
Flame Resistance:	VW-1

Materials and Finish

Insulation: PVC, colour grey with a red edge
 Conductor: 28 AWG (7/0.127mm) stranded copper wire

**Features**

- ↳ 1.27mm pitch flat cable with 28AWG (7/0.127mm) conductors
- ↳ Ribbed on both sides enabling IDC termination on either side of the cable
- ↳ UL Style No. 2651, CSA, VDE 0811

Part Number (Details)

DK ** - *

Cable Series

Number of Conductors:
2 to 64

Unmarked = 100 meters per Reel
M = 1 meter (on request)

Standard Cable Length

↳ see Part Number (Details)

**Cable Dimensions**