

HF9616

1 CUBIC INCH 3 FORM C HERMETICALLY SEALED LATCHING RELAY



Features

- 25A contacts switching capability
- Failure rate can be L level
- High ambient applicability
- High pure nitrogen protection
- All metal welded construction
- Hermetically welded and marked by laser

Conform to GJB2888-1997 (Equivalent to MIL-PRF-83536)

AMBIENT ADAPTABILITY

Ambient grade		I	II
Ambient temperature		-55°C to 85°C	-65°C to 125°C
Low air pressure		58.53kPa	4.4kPa
Vibration resistance	Frequency range	10Hz to 2000Hz	10Hz to 3000Hz
	Acceleration	196m/s ²	294m/s ²
Shock resistance		980m/s ²	1960m/s ²
Random vibration		20(m/s ²) ² /Hz	40(m/s ²) ² /Hz
Steady-state acceleration		147m/s ²	490m/s ²
Conformity standard		GJB 2888-1997 (MIL-PRF-83536)	

CONTACT DATA

Ambient grade		I	II
Contact arrangement		3 Form C	
Contact resistance or voltage drop max.	Initial	0.15V	
Failure rate level		Level L	

Contact Rating

Load type	Contact Voltage					Electrical life min.
	28Vd.c.	115Va.c. 400Hz Single phase	115Va.c. 50Hz Single phase	115/200Va.c. 400Hz Three phase	115/200Va.c. 50Hz Three phase	
Resistive	25 A			25 A		5 x 10 ⁴ ops
Inductive	12 A					1 x 10 ⁴ ops
Inductive				15 A		2 x 10 ⁴ ops
Motor	10 A					5 x 10 ⁴ ops
Lamp load	5 A					5 x 10 ⁴ ops



HONGFA RELAY

GJB9001A, ISO9001, ISO/TS16949, ISO14001, OHSAS18001, IECQ QC 080000 CERTIFIED

2008 Rev. 1.00

SPECIFICATION

Ambient grade		I	II
Insulation resistance	Initial	100MΩ (at 500Vd.c.)	100MΩ (at 500Vd.c.)
	After life or after ambient testing	50MΩ (at 500Vd.c.)	50MΩ (at 500Vd.c.)
Dielectric strength min. (Normal condition)	Between coil & cover	1000Vr.m.s.	1000Vr.m.s.
	Between other insulation parts (initial)	1250Vr.m.s.	1250Vr.m.s.
	Between other insulation parts (after life testing)	1000Vr.m.s.	1000Vr.m.s.
Dielectric strength min. (Low air pressure condition)	4.4kpa	250Vr.m.s.	250Vr.m.s.
Leakage rate max.		$1 \times 10^0 \text{ Pa}\cdot\text{cm}^3/\text{s}$	$1 \times 10^{-3} \text{ Pa}\cdot\text{cm}^3/\text{s}$
Operate time max.		15ms (at 25°C)	
Contacts bound time max.		1.5ms	
Coil pluse width min.		45ms	
Mounting style		See the mounting dimension	
Terminals		See the terminal styles	
Work position		Random	
Weight max.		85g	

COIL DATA

Norminal coil power	Approx.2.0 W
---------------------	--------------

Coil Version

Vd.c.

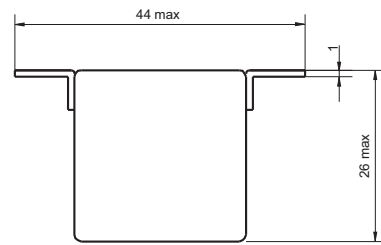
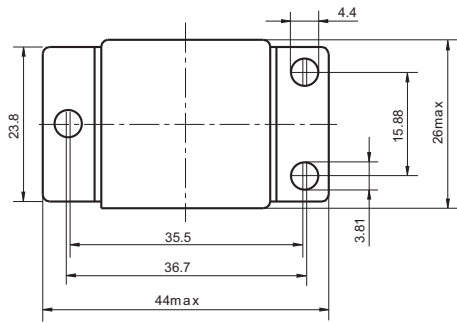
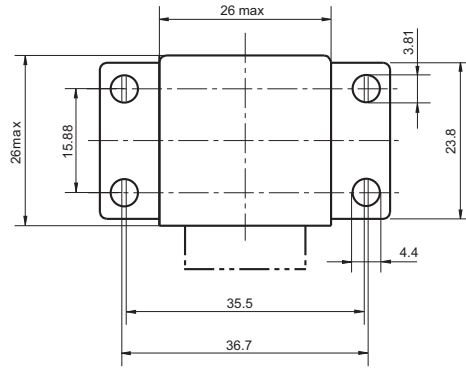
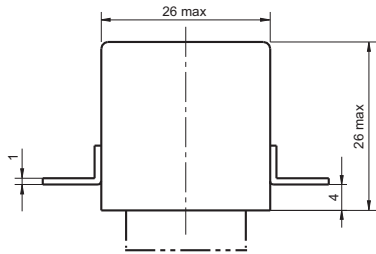
Coil voltage		at 25°C		-65°C to 125°C	Pick-up voltage max.	
Nominal voltage	Value max.	Pick-up voltage max.	Coil resistance (1±10%) Ω	Pick-up voltage max.	High temp. test	Continuous electric test
6	7.3	3.5	25	4.5	5	5.7
12	14.5	6.5	100	9.0	9.9	11.25
28	29.0	15.5	405	20.0	21.0	25.0

Notes: We can offer many kinds of of coil voltage under the requirement of users.

ORDERING INFORMATION

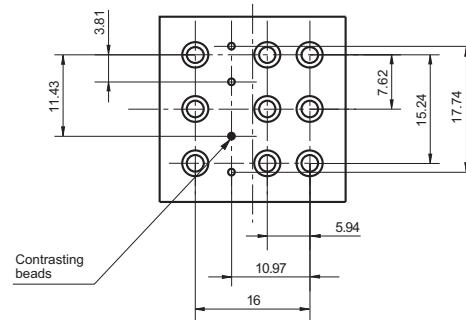
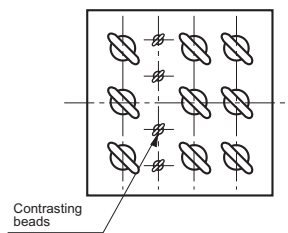
Type	HF9616	-028	L	-0	1	- II
Coil Voltage	6, 12, 28 Vd.c.					
Failure Rate	L: Failure rate level L (level II products available) Nil: Without failure rate requirement					
Mounting Style	0, 2, 3 (See the mounting dimension)					
Terminals Style	2, 4 (See " Terminal styles " below)					
Ambient Grade	I : level I II : level II (Without failure rate requirement) Nil: Level II (Only for failure rate level L)					

Outline dimension

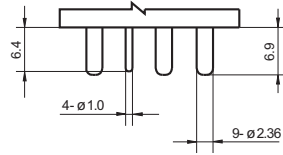


Mouting style 2

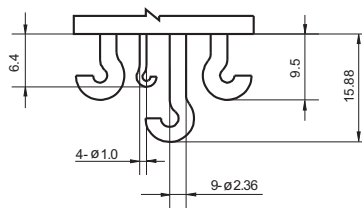
Mouting style 3



Mouting style 0

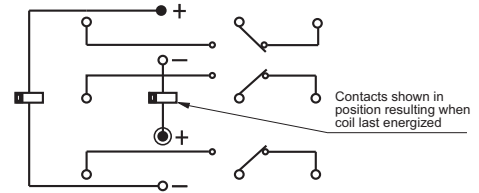


Terminal style 2



Terminal style 4

Wiring Diagram
(Bottom View)



Disclaimer

This datasheet is for the customers' reference. All the specifications are subject to change without notice. We could not evaluate all the performance and all the parameters for every possible application. Thus the user should be in a right position to choose the suitable product for their own application. If there is any query, please contact Hongfa for the technical service. However, it is the user's responsibility to determine which product should be used only.

© Xiamen Hongfa Electroacoustic Co., Ltd. All rights of Hongfa are reserved.