

# XF3C

Rotary Backlock Connector (0.25-mm Pitch, Dual Contact)

## 0.25 mm Pitch with Dual contact and Rotary Backlock Mechanism.

- Wide molding wall on the rear bottom of the connector allows greater freedom in board design.
- Dual contact.
- Single sided FPC with an applicable thickness of 0.12 mm.
- Halogen Free (See note.)

Note: OMRON uses the following standard to determine halogen-free construction: 900 ppm max. for Br, 900 ppm max. for Cl, and 1,500 ppm max. for Br+Cl.

### RoHS Compliant

### ■ Ratings and Specifications

Rated current	0.2A AC/DC
Rated voltage	50V AC/DC
Contact resistance	80mΩ max. (at 20 mV DC max., 100 mA max.)
Insulation resistance	100MΩ min. (at 250V DC)
Withstand voltage	250V AC for 1 min. (leakage current: 1 mA max.)
Insertion tolerance	20 times
Ambient operating temperature	-30 to 85°C (with no icing or condensation)

### ■ Dimensions

#### XF3C-□□45-41A

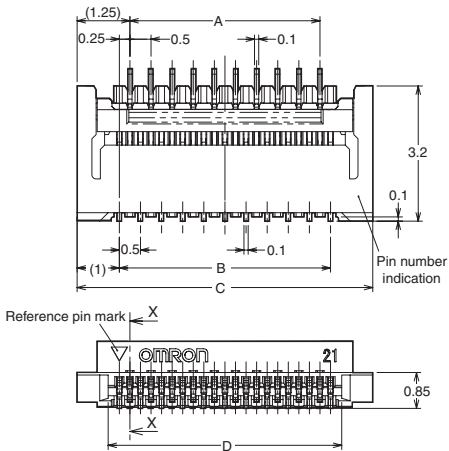
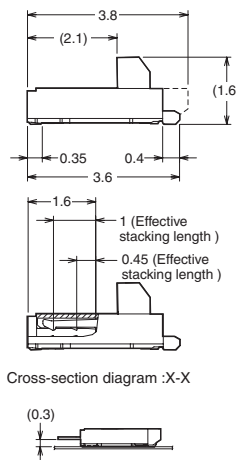
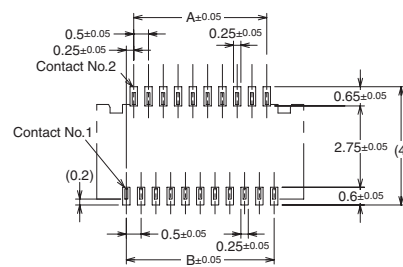


Table of Dimensions

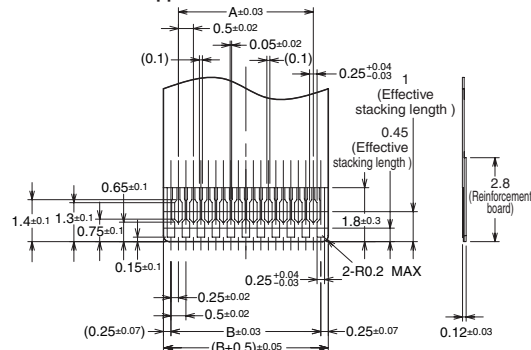
Pins (See *1.)	Model	A	B	C	D
17	XF3C-1745-41A	3.5	4.0	6.0	4.55
19	XF3C-1945-41A	4.0	4.5	6.5	5.05
23	XF3C-2345-41A	5.0	5.5	7.5	6.05
25	XF3C-2545-41A	5.5	6.0	8.0	6.55
35	XF3C-3545-41A	8.0	8.5	10.5	9.05
45	XF3C-4545-41A	10.5	11.0	13.0	11.55
51	XF3C-5145-41A	12.0	12.5	14.5	13.05
(59)	XF3C-5945-41A	14.0	14.5	16.5	15.05



### PCB Mating Dimensions (TOP VIEW)



### Applicable FPC Dimensions



### ■ Ordering Information

(Please consult your trading company for the delivery date.)

Pins (See *1.)	Model	Quantity per reel (unit) (See *2.)
17	XF3C-1745-41A	2,000
19	XF3C-1945-41A	
23	XF3C-2345-41A	
25	XF3C-2545-41A	
35	XF3C-3545-41A	
45	XF3C-4545-41A	
51	XF3C-5145-41A	
(59)	XF3C-5945-41A	

\*1. Please consult your OMRON representative for;

- Available pin count
- Release date of pin count with bracket

\*2. Please order by integer multiple of the quantity per reel.



XF3C