

Rotary Backlock Connector (0.5-mm pitch, Dual Contact)

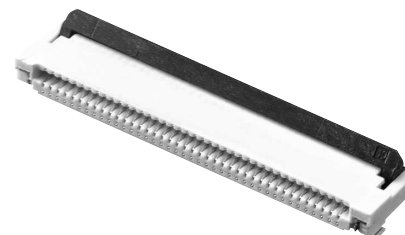
XF2M

High-reliability rotary-lock and Superior Work Efficiency.

- Dual contact reduces the number of parts.
- Applicable FPC thickness of 0.3 mm.
- Halogen Free (See note)

Note: OMRON uses the following standard to determine halogen-free construction: 900 ppm max. for Br, 900 ppm max. for Cl, and 1,500 ppm max. for Br+Cl.

- RoHS Compliant.



Ordering Information

Pins	Model	Quantity per reel (See Note 2)
10	XF2M-1015-1A	1,500
12	XF2M-1215-1A	
14	XF2M-1415-1A	
18	XF2M-1815-1A	
20	XF2M-2015-1A	
22	XF2M-2215-1A	
24	XF2M-2415-1A	
26	XF2M-2615-1A	
30	XF2M-3015-1A	
32	XF2M-3215-1A	
33	XF2M-3315-1A	

Pins	Model	Quantity per reel (See Note 2)
34	XF2M-3415-1A	1,500
35	XF2M-3515-1A	
36	XF2M-3615-1A	
38	XF2M-3815-1A	
40	XF2M-4015-1A	
42	XF2M-4215-1A	
45	XF2M-4515-1A	
50	XF2M-5015-1A	
55	XF2M-5515-1AH	
60	XF2M-6015-1AH	

- Note:** 1. The end of the model number indicates the slider specification. None: Standard type H: For pin count \geq 55
2. Please order by integer multiple of the quantity per reel.

Ratings and Specifications

Characteristics

Rated current	0.5A AC/DC
Rated voltage	50V AC/DC
Contact resistance	50 m Ω max. (at 20 mV max., 100 mA max.)
Insulation resistance	100 M Ω min. (at 250 VDC)
Withstand voltage	250 VAC for 1 min. (leakage current: 1 mA max.)
Insertion tolerance	20 times
Ambient operating temperature	-30 to +85°C (with no icing or condensation)

Materials and Finish

Housing	LCP resin (UL94V-0)/natural
Slider	LCP resin (UL94V-0)/black
Contacts	Spring copper alloy/nickel substrate (2 μ m), Gold-plated contacts (0.15 μ m)
Hold-down	Spring copper alloy/fused-tin plating (1.5 μ m)

Dimensions

Unit: mm

XF2M-□□15-1A

XF2M-□□15-1AH

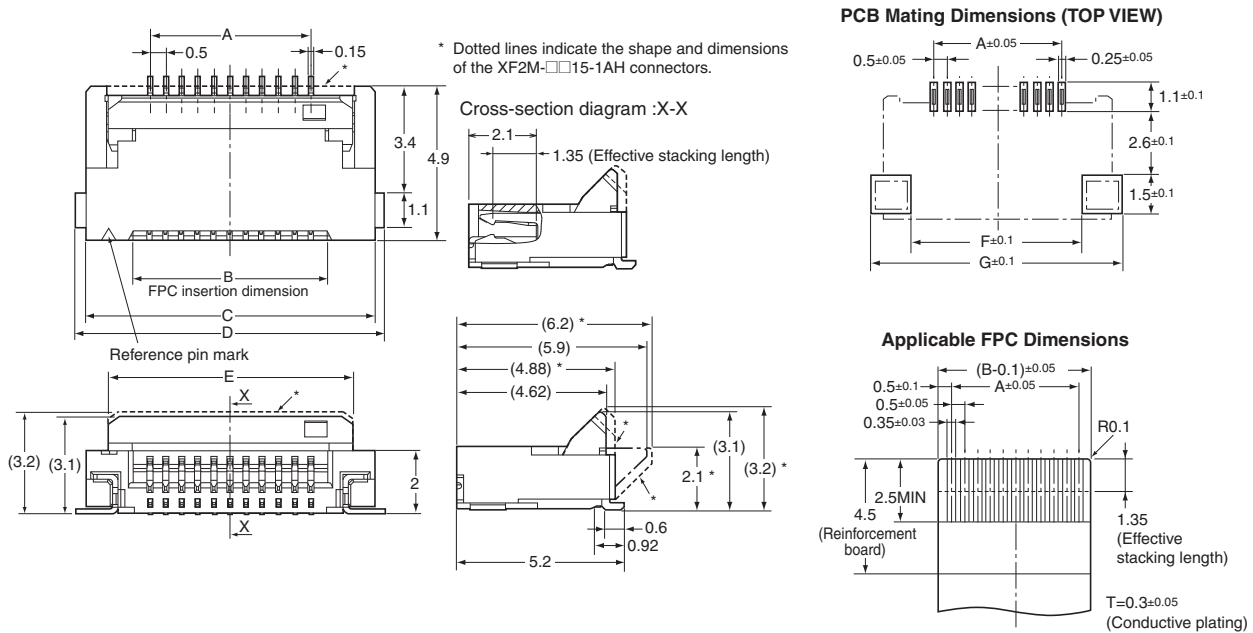
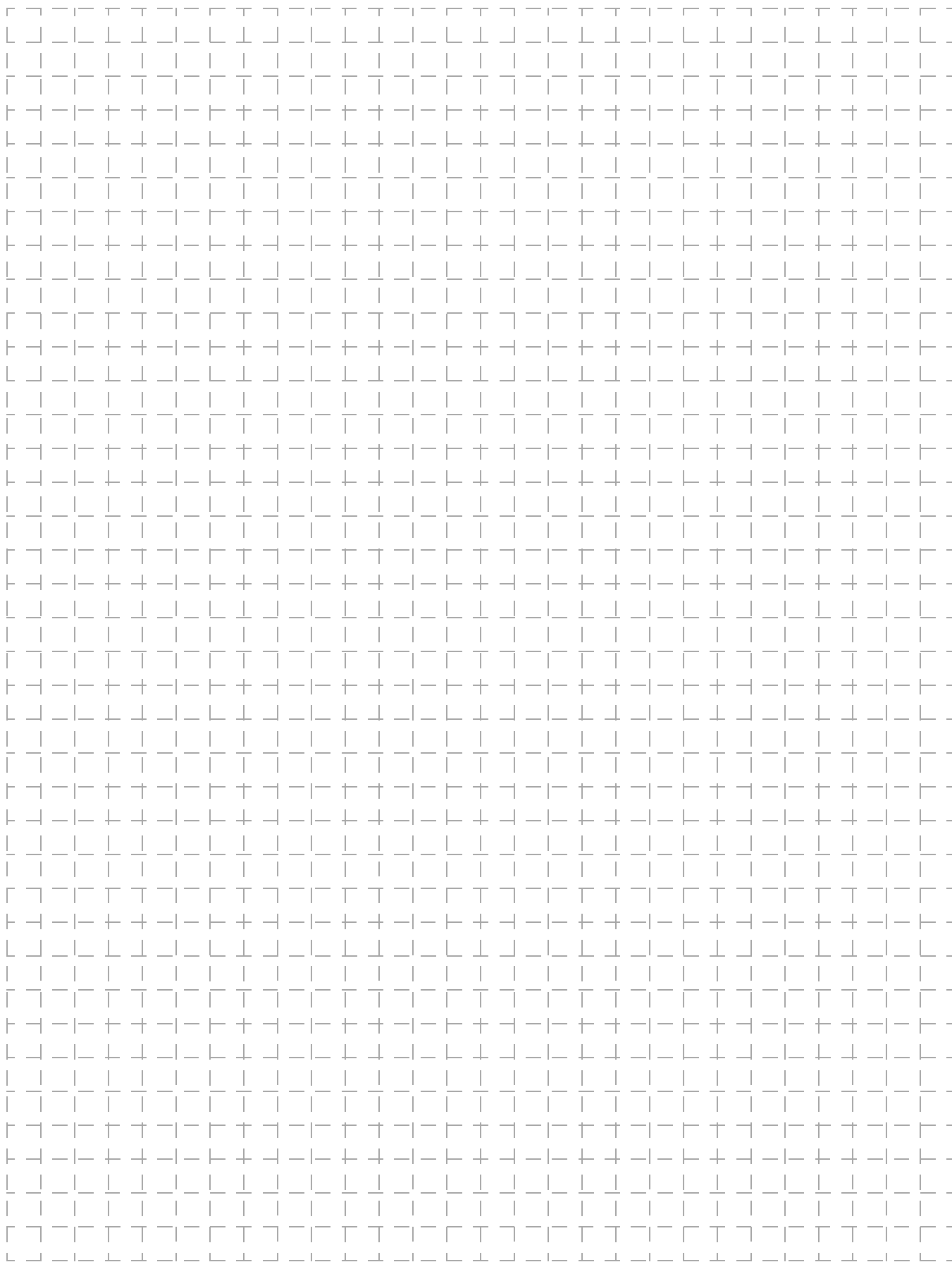


Table of Dimensions

Pins	Model	A	B	C	D	E	F	G
10	XF2M-1015-1A	4.5	5.6	8.5	9.1	7.1	6.1	9.5
12	XF2M-1215-1A	5.5	6.6	9.5	10.1	8.1	7.1	10.5
14	XF2M-1415-1A	6.5	7.6	10.5	11.1	9.1	8.1	11.5
18	XF2M-1815-1A	8.5	9.6	12.5	13.1	11.1	10.1	13.5
20	XF2M-2015-1A	9.5	10.6	13.5	14.1	12.1	11.1	14.5
22	XF2M-2215-1A	10.5	11.6	14.5	15.1	13.1	12.1	15.5
24	XF2M-2415-1A	11.5	12.6	15.5	16.1	14.1	13.1	16.5
26	XF2M-2615-1A	12.5	13.6	16.5	17.1	15.1	14.1	17.5
30	XF2M-3015-1A	14.5	15.6	18.5	19.1	17.1	16.1	19.5
32	XF2M-3215-1A	15.5	16.6	19.5	20.1	18.1	17.1	20.5
33	XF2M-3315-1A	16.0	17.1	20.0	20.6	18.6	17.6	21.0
34	XF2M-3415-1A	16.5	17.6	20.5	21.1	19.1	18.1	21.5
35	XF2M-3515-1A	17.0	18.1	21.0	21.6	19.6	18.6	22.0
36	XF2M-3615-1A	17.5	18.6	21.5	22.1	20.1	19.1	22.5
38	XF2M-3815-1A	18.5	19.6	22.5	23.1	21.1	20.1	23.5
40	XF2M-4015-1A	19.5	20.6	23.5	24.1	22.1	21.1	24.5
42	XF2M-4215-1A	20.5	21.6	24.5	25.1	23.1	22.1	25.5
45	XF2M-4515-1A	22.0	23.1	26.0	26.6	24.6	23.6	27.0
50	XF2M-5015-1A	24.5	25.6	28.5	29.1	27.1	26.1	29.5
55	XF2M-5515-1AH	27.0	28.1	31.0	31.6	29.6	28.6	32.0
60	XF2M-6015-1AH	29.5	30.6	33.5	34.1	32.1	31.1	34.5



All sales are subject to Omron Electronic Components LLC standard terms and conditions of sale, which can be found at http://www.components.omron.com/components/web/webfiles.nsf/sales_terms.html

ALL DIMENSIONS SHOWN ARE IN MILLIMETERS.
To convert millimeters into inches, multiply by 0.03937. To convert grams into ounces, multiply by 0.03527.

OMRON[®]

**OMRON ELECTRONIC
COMPONENTS LLC**

55 E. Commerce Drive, Suite B
Schaumburg, IL 60173

847-882-2288

OMRON ON-LINE

Global - <http://www.omron.com>

USA - <http://www.components.omron.com>

Cat. No. X304-E-1

11/10

Specifications subject to change without notice

Printed in USA

Rotary Backlock Connector (0.5-mm pitch, Dual Contact) **XF2M**