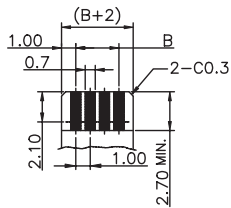
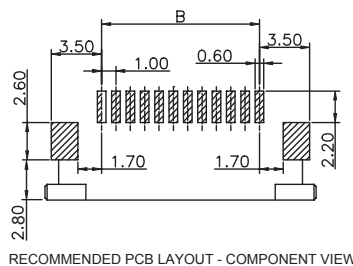


1 2 3 4 5



APPLICABLE FFC LAYOUT
(THICKNESS: 0.29 to 0.34)



MATERIAL:
HOUSING MATERIAL: PPS
COLOR: BEIGE
ACTUATOR MATERIAL: PPS
COLOR: BLACK
CONTACT MATERIAL: PHOSPOR BRONZE
CONTACT PLATING: 100µ" TIN OVER 50µ" NI
QUALITY CLASS: 25 MATING CYCLES*

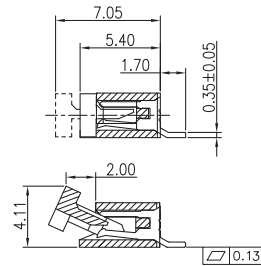
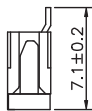
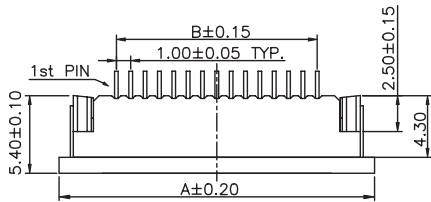
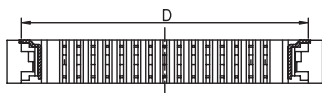
ENVIRONMENTAL:
OPERATING TEMPERATURE: -25°C UP TO 85°C
FLAMABILITY RATING: UL94-V0
COMPLIANCE: LEAD FREE AND ROHS

ELECTRICAL:
CURRENT RATING: 1A
WORKING VOLTAGE: 125V
INSULATION RESISTANCE: >100MOHM
DIELECTRIC WITHSTANDING VOLT.: 500VAC/MN
CONTACT RESISTANCE: 20mOHM MAX

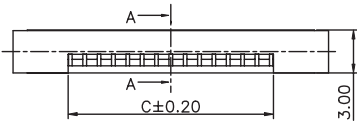
STANDARD
CERTIFIED: E323964 / MODEL NUMBER 686
FOLLOWED BY 1, FOLLOWED BY 03 THRU 30, FOLLOWED BY 141 OR 144, FOLLOWED BY NUMERIC DIGITS

SOLDERING:
REFLOW PROCESS ONLY

DIMENSION:
A = B + 8.00
B = 1.00 x (NB PINS - 1)
C = B + 2.1
D = B + 6.00



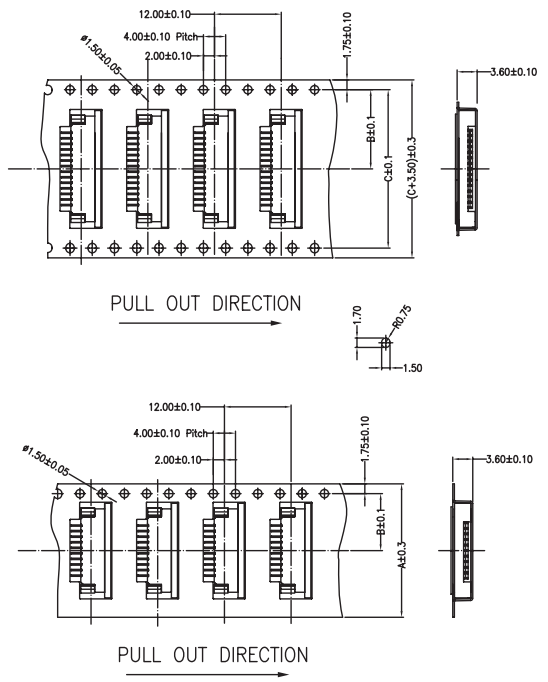
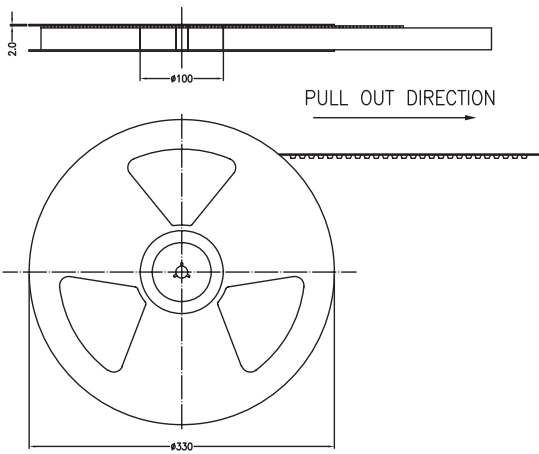
SECT. A-A



RoHS Compliant

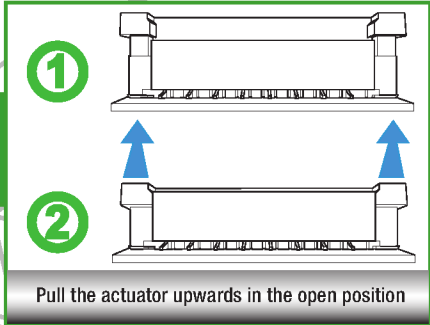
*NOTE: theoretical value related to the Tin plating; however, due to the sensitive actuator, we recommend not to make more than 1 or 2 cycles in order to maintain acceptable mechanical & electrical conditions

M	13-DEC-13	TPK UPDATE	QL	PROJECTION: 	GENERAL TOLERANCE .X = +/- 0.2 .XX = +/- 0.15		DESCRIPTION: 1.0MM ZIF FPC HORIZONTAL BOTTOM CONTACT TYPE - TAPE & REEL PACKAGING	SIZE A4
L	10-APR-13	ACTUATOR	AR					
K	23-JAN-13	UNIT µ => µ"	QL					
J	18-SEP-12	MC NOTE	GG					
I	28-JUN-12	COLOR	GG					
H	26-JUN-12	DIM	GG	APPROVAL: RJ	UNIT: MM	WERI PART NO: 6861 xx 14422		
REV	DATE	FILE	BY	SCALE:	SHEET: 1/2			
				DRAW: PEARL				

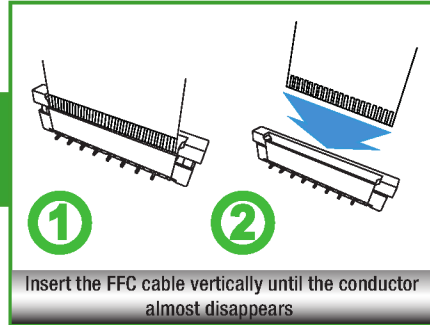


	4-9 PIN	10-14 PIN	15-26 PIN	27-30 PIN
DIM.B	11.50	14.20	20.20	26.20
DIM.C	---	28.40	40.40	52.40
TAPE/CARTON	8PCS	6PCS	5PCS	4PCS

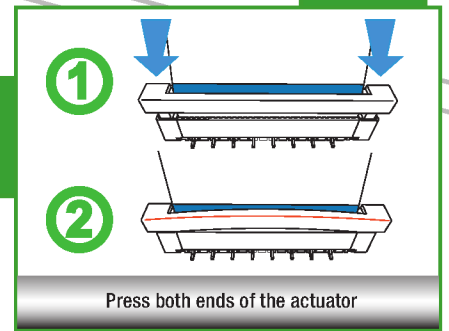
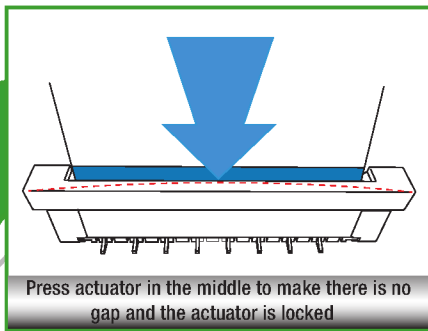
RoHS Compliant				PROJECTION: 	GENERAL TOLERANCE .X = \pm / 0.2 .XX = \pm / 0.15		DESCRIPTION: 1.0MM ZIF FPC HORIZONTAL BOTTOM CONTACT TYPE - TAPE & REEL PACKAGING WERI PART NO: 6861 xx 14422	SIZE A4
G								
F								
E								
D	29-JUL-08	INSERTION DEPTH	CH	APPROVAL: RJ	UNIT: MM			
C	26-NOV-07	MODIFICATIONS	EC		SCALE:			
B	14-MAR-07	CHARACTERISTIC	EC		SHEET: 2/2			
A	02-OCT-06	PDF	JP		DRAW: PEARL			
REV	DATE	FILE	BY					

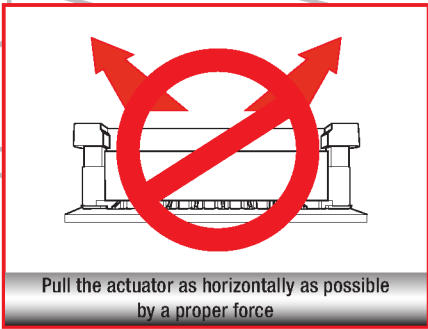


A

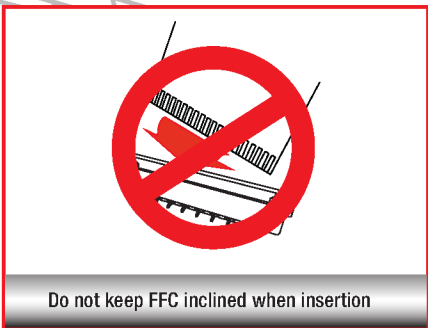
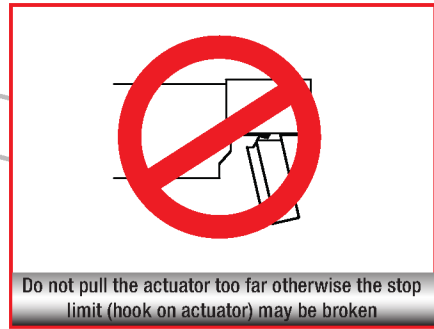


B





A



B

