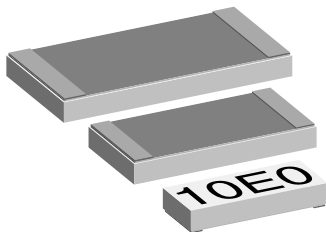


Power Metal Strip® Flip Chip (Extended Range) Patents Pending



FEATURES

- SMD alternative for low power leaded wirewound resistors
- Excellent stability in different environmental conditions (< 0.5 % change in resistance)
- Superior overload and pulse handling capability as compared to thin film (as much as 2 x better)
- Low TCR, down to ± 15 ppm/K
- Low noise: < 0.01 μV_{rms}/V
- Voltage coefficient: < 0.00001 %/V (< 0.1 ppm/V)
- Very low inductance: < 0.08 μH



RoHS*
COMPLIANT

STANDARD ELECTRICAL SPECIFICATIONS

GLOBAL MODEL	SIZE INCH	POWER RATING P _{70 °C}	LIMITING ELEMENT VOLTAGE MAX ⁽¹⁾ V _≡	TEMPERATURE COEFFICIENT ppm/K	TOLERANCE %	RESISTANCE RANGE ⁽²⁾ Ω	E-SERIES
WSL1506E	1506	0.25	63	15, 25	0.5, 1	0R5 - 10K	96
WSL2010E	2010	0.5	100	15, 25	0.5, 1	0R5 - 10K	96
WSL2512E	2512	1.0	100	15, 25	0.5, 1	0R5 - 10K	96

Notes

- Ask about further value ranges, tighter tolerances and TCR's
- Power rating depends on the max. temperature at the solder point, the component placement density and the substrate material
- 4-Digit Marking, according to MIL-PRF-55342 (except as noted in Ordering Information table), on top side

⁽¹⁾ Rated voltage: $\sqrt{P \times R}$

⁽²⁾ Contact factory using e-mail address at bottom of this page for resistance values available between 0R5 - 10R for 1506 and 0R5 - 100R for 2010 and 2512

TECHNICAL SPECIFICATIONS

PARAMETER	UNIT	WSL1506E	WSL2010E	WSL2512E
Rated Dissipation at 70 °C	W	0.25	0.5	1.0
Limiting Element Voltage ⁽³⁾	V _≡	63	100	100
Insulation Voltage (1 min)	Vdc/ac peak	200	200	200
Thermal Resistance	K/W	≤ 220 ⁽⁴⁾	≤ 88 ⁽⁴⁾	≤ 65 ⁽⁴⁾
Insulation Resistance	MΩ	> 10 ⁶		
Category Temperature Range	°C	- 55 to + 150		
Weight/1000 pieces	g	12	25	35

Notes

⁽³⁾ Rated voltage: $\sqrt{P \times R}$

⁽⁴⁾ Depending on solder pad dimensions

PACKAGING

MODEL	REEL			
	TAPE WIDTH	DIAMETER	PIECES/REEL	CODE
WSL1506E	12 mm/Embossed Plastic	180 mm/7"	4000	EA
WSL2010E	12 mm/Embossed Plastic	180 mm/7"	4000	EA
WSL2512E	12 mm/Embossed Plastic	180 mm/7"	2000	EA

Note

- Embossed Carrier Tape per EIA-481-1.2

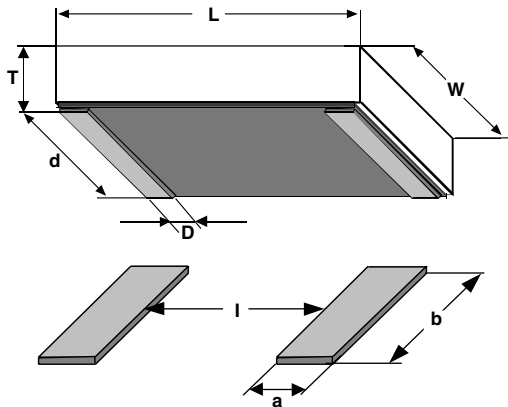
GLOBAL PART NUMBER INFORMATION

NEW GLOBAL PART NUMBERING: WSL1506E10E0XEAE

W S L 1 5 0 6 E 1 0 E 0 X E A

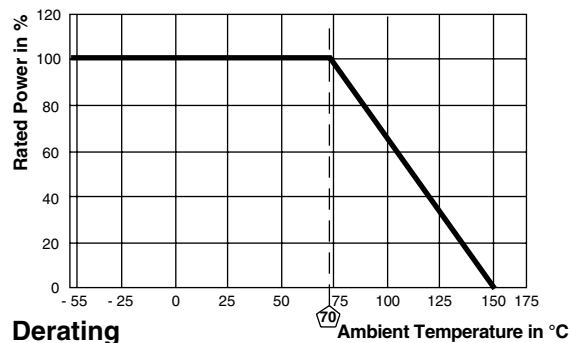
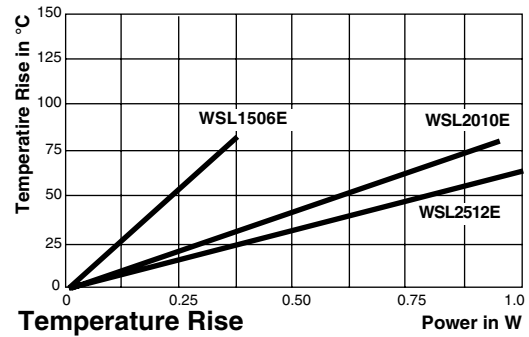
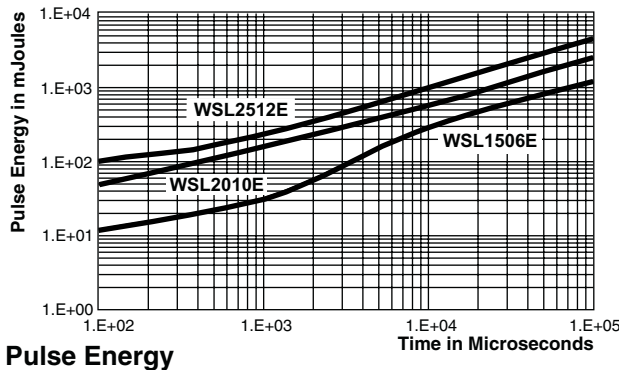
GLOBAL MODEL	RESISTANCE VALUE & TOLERANCE	TOLERANCE CODE	PACKAGING	SPECIAL																					
WSL1506E	<table border="1"> <thead> <tr> <th>Resistance</th> <th>Multiplier</th> <th>Symbol</th> </tr> </thead> <tbody> <tr> <td>0.5</td> <td>X1</td> <td>W</td> </tr> <tr> <td>0.5</td> <td>X1000</td> <td>X</td> </tr> <tr> <td>0.5</td> <td>X1 000 000</td> <td>Y</td> </tr> <tr> <td>1.0</td> <td>X1</td> <td>D</td> </tr> <tr> <td>1.0</td> <td>X1000</td> <td>E</td> </tr> <tr> <td>1.0</td> <td>X1 000 000</td> <td>F</td> </tr> </tbody> </table>	Resistance	Multiplier	Symbol	0.5	X1	W	0.5	X1000	X	0.5	X1 000 000	Y	1.0	X1	D	1.0	X1000	E	1.0	X1 000 000	F	E = ± 25 ppm/K X = ± 15 ppm/K	EA = Lead (Pb)-free, tape/reel EK = Lead (Pb)-free, bulk TA = Tape/reel (R86) BA = Bulk (B43)	(Dash Number) (up to 2 digits) From 1 - 99 as applicable
Resistance	Multiplier	Symbol																							
0.5	X1	W																							
0.5	X1000	X																							
0.5	X1 000 000	Y																							
1.0	X1	D																							
1.0	X1000	E																							
1.0	X1 000 000	F																							

* Pb containing terminations are not RoHS compliant, exemptions may apply

DIMENSIONS


SIZE INCH	Dimensions in inches [millimeters]				
	L	W	T _{max.}	D	d
1506	0.15 ± 0.005 [3.81 ± 0.13]	0.062 ± 0.003 [1.57 ± 0.08]	0.025 [0.64]	0.012 ± 0.003 [0.30 ± 0.08]	0.059 ± 0.003 [1.50 ± 0.08]
2010	0.200 ± 0.005 [5.08 ± 0.13]	0.100 ± 0.003 [2.54 ± 0.08]	0.025 [0.64]	0.020 ± 0.003 [0.51 ± 0.08]	0.097 ± 0.003 [2.46 ± 0.08]
2512	0.250 ± 0.005 [6.35 ± 0.13]	0.126 ± 0.003 [3.20 ± 0.08]	0.025 [0.64]	0.024 ± 0.003 [0.61 ± 0.08]	0.123 ± 0.003 [3.12 ± 0.08]

SIZE INCH	Solder Pad Dimensions in inches [millimeters]		
	a	b	l
1506	0.015 [0.38]	0.062 [1.57]	0.118 [3.00]
2010	0.023 [0.58]	0.100 [2.54]	0.153 [3.89]
2512	0.027 [0.69]	0.126 [3.20]	0.196 [4.98]


Pulse Energy Plot:

This represents the energy in each of 50 pulses, with a 1 second rest between pulses, that it takes to shift the WSL....E resistance ± (0.50 % + 0.01 Ω).

PERFORMANCE		
TEST	CONDITIONS OF TEST	TEST LIMITS
Thermal Shock	- 55 °C to + 150 °C, 100 cycles, 15 min at each extreme	± (0.20 % + 0.01 Ω)
Short Time Overload	5 x rated power for 5 s	± (0.20 % + 0.01 Ω)
Low Temperature Storage	- 65 °C for 24 h	± (0.20 % + 0.01 Ω)
High Temperature Exposure	1000 h at + 150 °C	± (0.50 % + 0.01 Ω)
Moisture Resistance	MIL-STD-202, Method 106, 0 % power, 7a and 7b not required	± (0.50 % + 0.01 Ω)
Load Life	1000 h at rated power, + 70 °C, 1.5 h "ON", 0.5 h "OFF"	± (0.50 % + 0.01 Ω)
Vibration	MIL-STD-202, Method 204D	± (0.10 % + 0.01 Ω)
Mechanical Shock	100 g's for 6 ms, 5 pulses	± (0.10 % + 0.01 Ω)
Resistance to Soldering Heat	+ 260 °C Solder, 10 - 12 s dwell, 25 mm/s emergence	± (0.50 % + 0.01 Ω)



Disclaimer

All product specifications and data are subject to change without notice.

Vishay Intertechnology, Inc., its affiliates, agents, and employees, and all persons acting on its or their behalf (collectively, "Vishay"), disclaim any and all liability for any errors, inaccuracies or incompleteness contained herein or in any other disclosure relating to any product.

Vishay disclaims any and all liability arising out of the use or application of any product described herein or of any information provided herein to the maximum extent permitted by law. The product specifications do not expand or otherwise modify Vishay's terms and conditions of purchase, including but not limited to the warranty expressed therein, which apply to these products.

No license, express or implied, by estoppel or otherwise, to any intellectual property rights is granted by this document or by any conduct of Vishay.

The products shown herein are not designed for use in medical, life-saving, or life-sustaining applications unless otherwise expressly indicated. Customers using or selling Vishay products not expressly indicated for use in such applications do so entirely at their own risk and agree to fully indemnify Vishay for any damages arising or resulting from such use or sale. Please contact authorized Vishay personnel to obtain written terms and conditions regarding products designed for such applications.

Product names and markings noted herein may be trademarks of their respective owners.