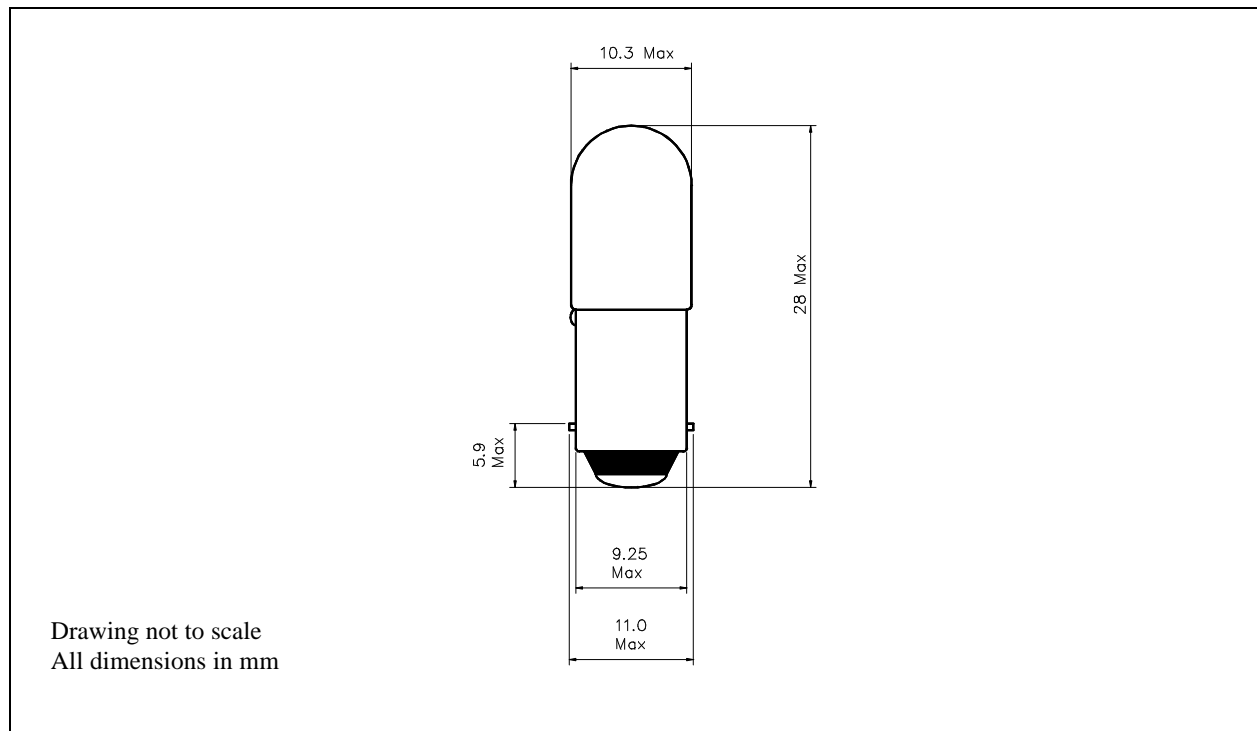


Type	Size	Description	Part No.
Incandescent	T10 (T-3¼)	Miniature Bayonet lamp (28 MOL)	(see table)



**PHOTOMETRY DATA**

Farnell Part No.	SLI P/N	Lamp Rating	Test Volts	Current (mA)			Light Output (Lm)			Fil Shape	Life (Hrs)
				Min	Nom	Max	Min	Nom	Max		
328467	W440	5V 0.45W	5	81	90	99	2.8	3.1	3.9	C-2R	750
3167860	W1140	6V 0.45W	6	68	75	80	3.5	4.0	4.7	C-6	100
3167872	W1212	6V 1.2W	6	180	200	220	2.8	3.8	4.8	C-2R	15000
328479	W476	6.5V 0.97W	6.5	135	150	165	4.5	6.0	7.5	C-2R	3000
328480	W504	6.5V 1.95W	6.5	270	300	330	10	12	14	C-2R	4000
328492	W643	12V 2.2W	12	165	183	201	8.5	11	13.5	C-2V	3000
265317	W1813	14.4V 1.4W	14.4	90	100	110	8.1	10.8	13.5	C-2V	1000
328509	W568	24V 1.2W	24	45	50	55	3.0	4.0	5.0	C-2F	5000
526990	W1152	24V 1.75W	24	65	73	81	3.2	4.5	5.8	C-2F	25000
328510	W1201	24V 2W	24	75	83	91	4.7	6.3	7.9	C-2F	10000
328522	W600	24V 2.8W	24	102	120	138	8.4	12	15.6	C-2F	3000
328558	W1204	30V 2W	30	60	67	74	4.4	6.3	8.2	C-2F	5000
328560	W1166	48V 0.96W	48	17	20	23	1.3	1.9	2.5	CC-2F	1000
527026	W1206	48V 2W	48	37	42	47	4.4	6.3	8.2	CC-2F	5000
328571	W608	50V 2.5W	50	45	50	55	6.8	9.0	11.2	CC-2F	5000
328583	W1207	60V 2W	60	30	33	36	3.5	5.0	6.5	CC-2F	3000
328601	W1121	130V 2.6W	130	18	20	22	2.0	3.0	4.0	CC-4F	3000
464200	W1121T	130V 2.6W	130	18	20	22	2.8	3.8	4.8	2CC-4F	5000

**NOTES:**

- 1) BA9s/13 nickel-plated bayonet cap in accordance with IEC 61-1, (BS EN 60061-1), sheet 7004-14-x.
- 2) Metal base to be durably marked with rating and trademark.
- 3) Products rated at 50Vac and above shall conform to European standards and directives SI 1994/3260, 73/23/EEC and 93/68/EEC and display the CE mark on the packaging labels.