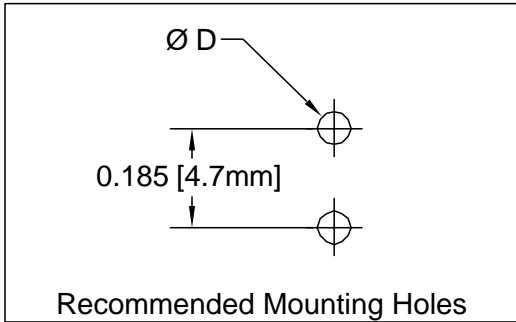
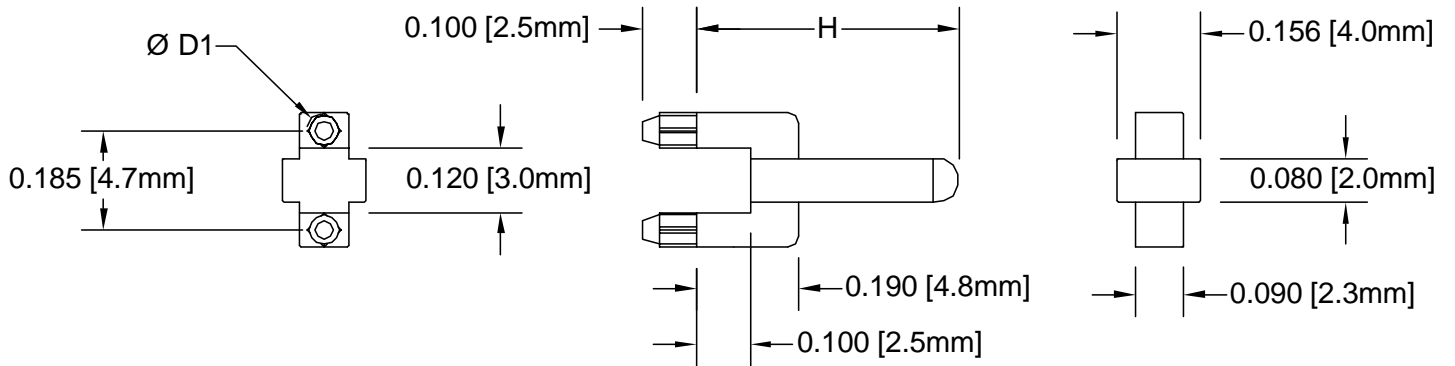


REV.	DESCRIPTION	DATE	APPROVED
A	Engineering Release	03/10/04	M. C.



P/N	H	$\varnothing D$ <sup>+0.003</sup> / <sub>-0.002</sub>	$\varnothing D1$
VLPR-24-500-2	0.500"(12.7mm)	.062"(1.6mm)	.065"(1.7mm)
VLPR-24-650-2	0.650"(16.5mm)	.062"(1.6mm)	.065"(1.7mm)
VLPR-24-858-2	0.858"(21.8mm)	.058"(1.5mm)	.060"(1.5mm)
VLPR-24-1028-2	1.028"(26.1mm)	.058"(1.5mm)	.060"(1.5mm)

STANDARD TOLERANCE ( UNLESS OTHERWISE SPECIFIED )		 4 THOMAS, IRVINE, CA. 92618 TEL: (949) 951-8808 FAX: (949) 951-3974	
DECIMALS	ANGULAR		
.X ± .1	X° ± 1°	 <b>TITLE:</b> VERTICAL LIGHT PIPE	<b>REVISION:</b> A
.XX ± .01			
.XXX ± .005		<b>DESIGNED:</b> T. Yin <b>DATE:</b> 03/10/04 <b>PART NO:</b> VLPR-24-XXXX-2	<b>REVISION:</b> A
		<b>CHECKED:</b> D. Green <b>DATE:</b> 03/10/04 <b>CAGE CODE :</b> 32559	<b>SHEET #</b> 1 OF 1

2. MATERIAL: POLYCARBONATE 94V-0 CLEAR, BIVAR MATERIAL CODE 47-CR. SAMYANG CORPORATION POLYCARBONATE 3025N2 CLEAR
1. GENERAL SPECIFICATIONS: BIVAR MOLDED COMPONENT SPECIFICATION BV00-E101.