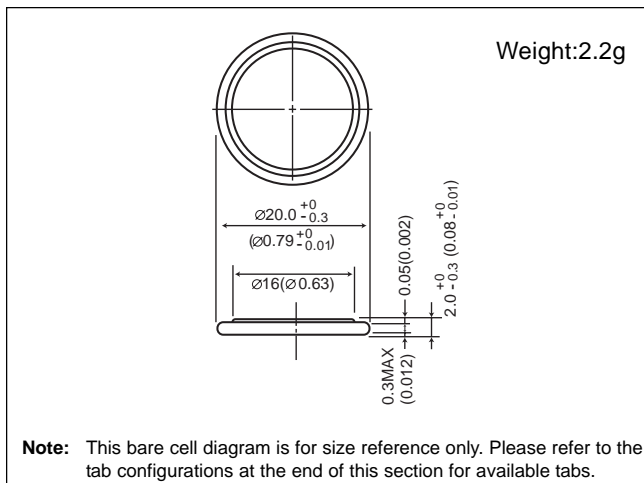


# Vanadium Pentoxide Lithium Coin Batteries (VL Series): Individual Specifications

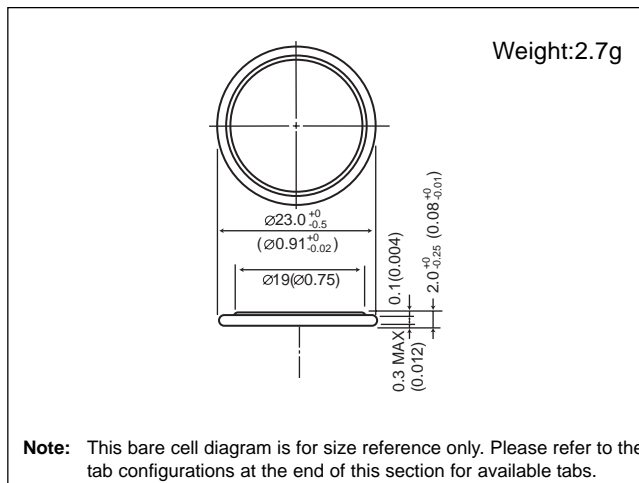
## VL2020

### ■ Dimensions(mm)



## VL2320

### ■ Dimensions(mm)



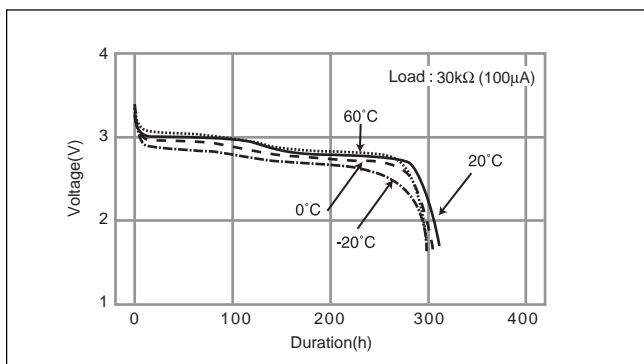
### ■ Specification

Nominal voltage (V)	3
Nominal capacity (mAh)	20.0
Continuous standard load (mA)	0.07
Operating temperature (C)	-20 ~ +60

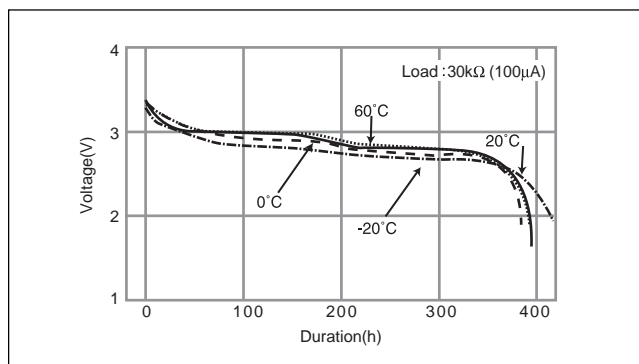
### ■ Specification

Nominal voltage (V)	3
Nominal capacity (mAh)	30.0
Continuous standard load (mA)	0.1
Operating temperature (C)	-20 ~ +60

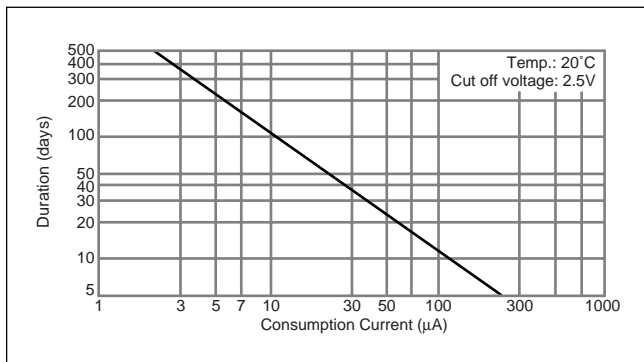
### ■ Discharge Temperature Characteristics



### ■ Discharge Temperature Characteristics



### ■ Consumption current vs. Duration time



### ■ Consumption current vs. Duration time

