



Thermistor Probe Assemblies Special

« [Return](#)



Home

Company Information

- [About U. S. Sensor](#)
- [Mission Statement](#)
- [Newsletter](#)
- [Employment Opportunities](#)

Product Guide

- [NTC Thermistors](#)
- [NTC Probes & Assemblies](#)
- [RTD's](#)
- [RTD's Probes & Assemblies](#)

Technical Data

- [What is a thermistor](#)
- [Terminology](#)
- [Manufacturing Quality](#)

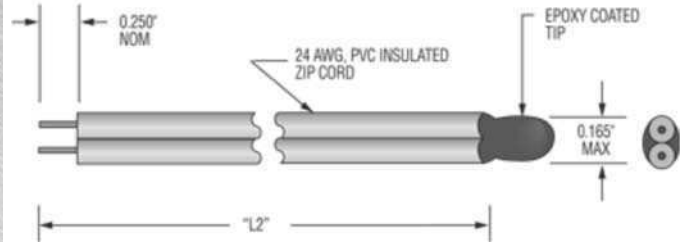
Markets and Applications

Find a Sales Rep/ Distributor

Contact Us

Electrical specifications as well as Dimensions "L1", "L2" and "D" are user selectable. Contact U.S. Sensor's [application engineering department](#) to design a probe assembly to best suit your requirements.

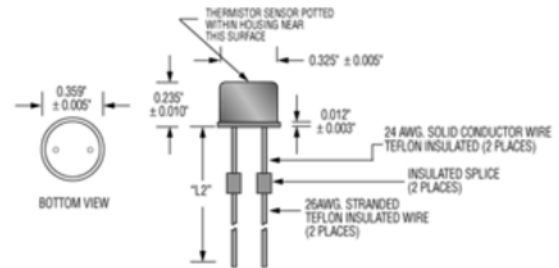
H1492 Epoxy Dip



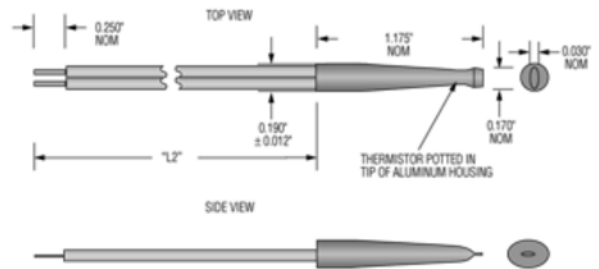
U.S. Sensor

1832 W. Collins Ave
 Orange, CA 92867
 Tel: 800-777-6467
 Tel: 714-639-1000
 Fax: 714-639-1220
 Email: sales@ussensor.com

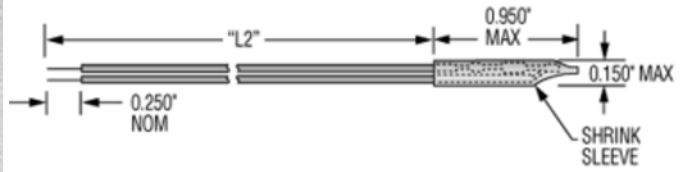
H1917 High Temperature



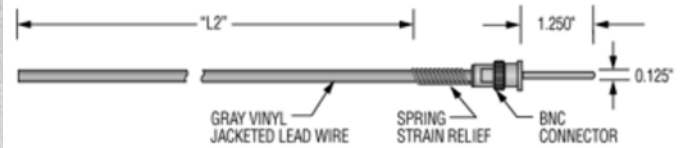
H2011 Finched Aluminum



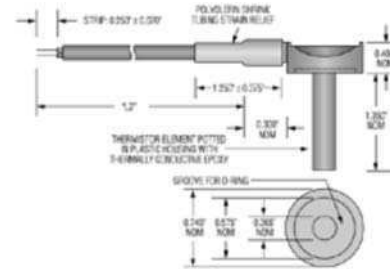
H2049 Shrink Sleeve



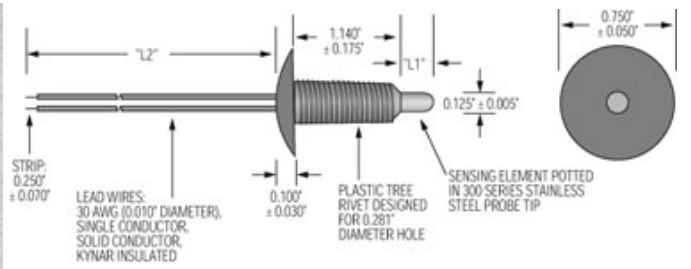
H2098 BNC Connector



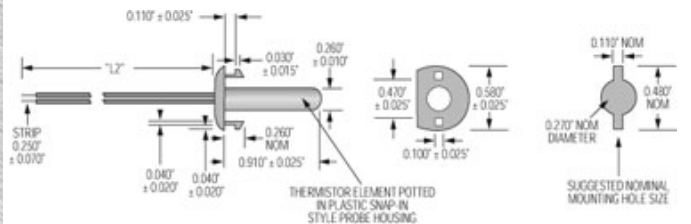
H3863 Plastic Housing



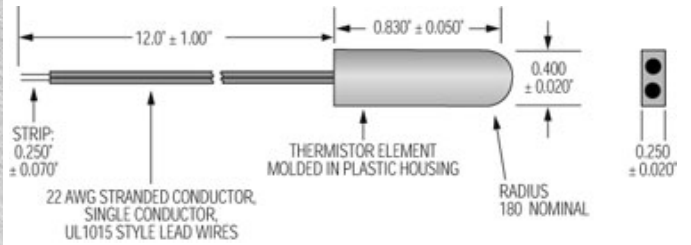
H6245 Plastic Tree Rivet with S/S Probe Tip



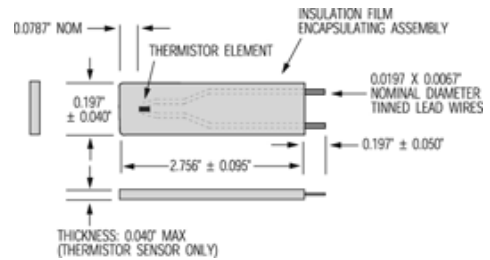
H6270 Snap-In, Plastic



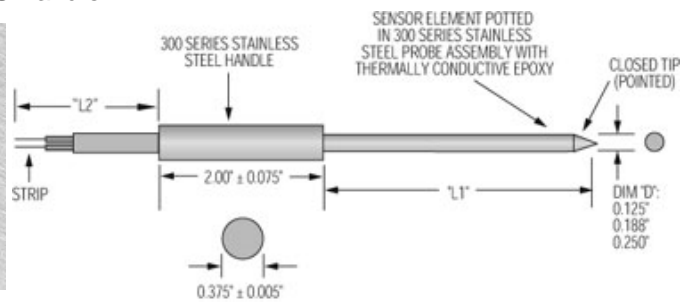
H7155 Over-Molded



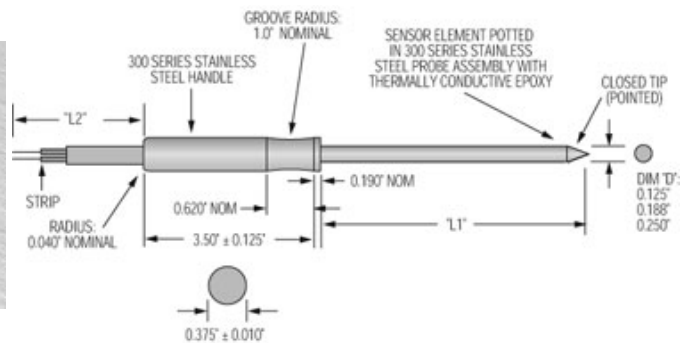
H7157 Thin Polyimide



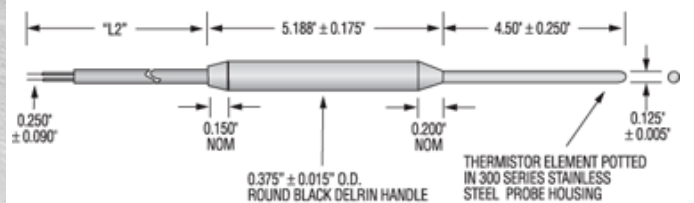
H7234 S/S, Pointed Tip with S/S Handle



H7235 S/S, Pointed Tip with S/S Grooved Handle



H7366 Stainless Steel Probe with Delrin Handle



[Top ^](#)

[« Return](#)

[Sitemap](#)

