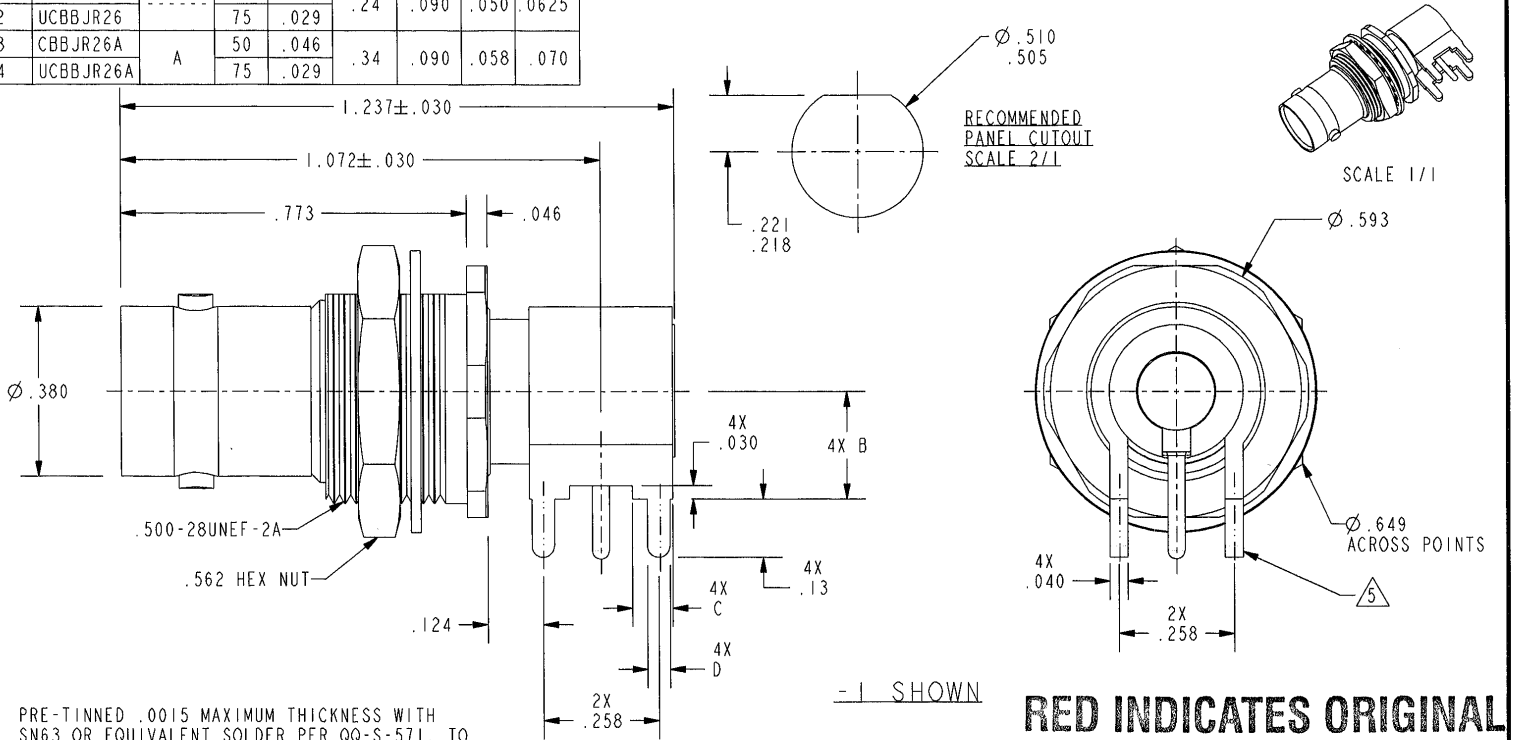


DASH NUMBER	MODEL NUMBER	LETTER CODE	IMPD Ω	A DIA	B DIM	C DIM	D DIM	E DIA
-1	CBBJR26		50	.046	.24	.090	.050	.0625
-2	UCBBJR26		75	.029				
-3	CBBJR26A	A	50	.046	.34	.090	.058	.070
-4	UCBBJR26A		75	.029				

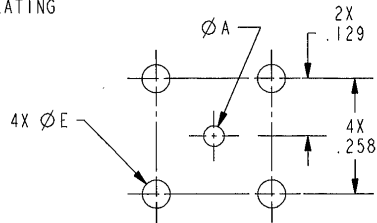
DATA CONTAINED IN THIS DOCUMENT IS PROPRIETARY TO TROMPETER ELECTRONICS, INC. AND SHALL NOT BE DISCLOSED, COPIED OR USED FOR PROCUREMENT OR MANUFACTURE WITHOUT EXPRESS WRITTEN PERMISSION.

REVISIONS			
REV	DESCRIPTIONS	DATE	APPROVED
E	REVISED PER ECO 16623	7-18-08	Ramen



5. PRE-TINNED .0015 MAXIMUM THICKNESS WITH SN63 OR EQUIVALENT SOLDER PER QQ-S-571, TO WITHIN .060 MAXIMUM OF SHOULDER AFTER PLATING

- MAXIMUM PANEL THICKNESS .156
- EXAMPLE OF COMPLETE MODEL NUMBER:
CBBJR26 A
BASIC MODEL NUMBER LETTER CODE
- FINISH: TFS-1A (NICKEL)



RED INDICATES ORIGINAL

1. 50 & 75 Ω RIGHT ANGLE CIRCUIT BOARD AND INSULATED BULKHEAD MOUNTING BNC RECEPTACLE
NOTES: UNLESS OTHERWISE SPECIFIED.

INTERPRET DRAWING PER MIL-STD-100. DIMENSIONS ARE IN INCHES AND INCLUDE FINISH THICKNESS UNLESS OTHERWISE SPECIFIED.	TOL: UNLESS SPECIFIED. .XX ± .02 .XXX ± .010 ANGLE ± 1°	
DESIGNER: W JOHNSON 5-15-08	MATERIAL:	
CHECKED: Jm 6-25-08	DATE:	TITLE: U/CBBJR26/A
MANUF:	FINISH:	SIZE: A CAGE CODE: 14949
APPROVED: Jm 7/17/08	DATE: 10-30-84	DRAWING NO.: 1-0053
PROJ FILE NO.: 1-0053	DO NOT SCALE DWG	SCALE: 3/1
NEXT ASSY:		DATE: 10-30-84
		SHEET: 1C