

**Enhanced Performance Compact Medical RFI Filter IEC Connector**

# EJM Series



**UL Recognized  
CSA Certified  
VDE Approved\***



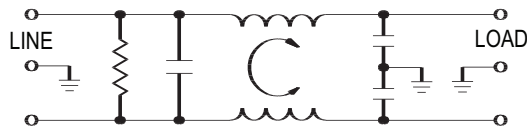
## EJM Series

The new EJM Series is the next generation of medical power line filters. The 1-15 Amp versions are flange and snap-in mount and mechanically equivalent to the EJH Series.

The performance has been enhanced to meet the needs for more attenuation up to 200 MHz. The EJM also has an extended metal flange around the socket for improved high frequency EMI shielding as well as a larger contact area for panel ground. These medical filters are designed to provide common and differential mode performance while maintaining the UL2601 leakage current requirement for non-patient medical equipment.

\*15EJM - VDE rated at 10 amps, 250 VAC

## Electrical Schematic



## Specifications

<b>Maximum leakage current,each line-to-ground</b>	
@ 120 VAC 60 Hz:	0.010 mA
@ 250 VAC 50 Hz:	0.017 mA
<b>Hipot rating (one minute):</b>	
line-to-ground	1500 VDC
line-to-line	1450 VDC
<b>Operating frequency:</b>	50/60 Hz
<b>Rated voltage (max.):</b>	250 VAC

### Minimum insertion loss in dB:

Line-to-ground in 50 ohm circuit

Current Rating	Frequency-MHz								
	.05	.5	1	10	20	30	80	150	200
1A	25	41	37	18	15	13	15	14	7
3A	6	27	30	21	19	19	23	13	7
6A	2	17	20	17	17	14	23	13	7
10A	1.5	11	12	9	8	9	20	19	12
15A	0.5	2	3	4	2	10	12	17	11

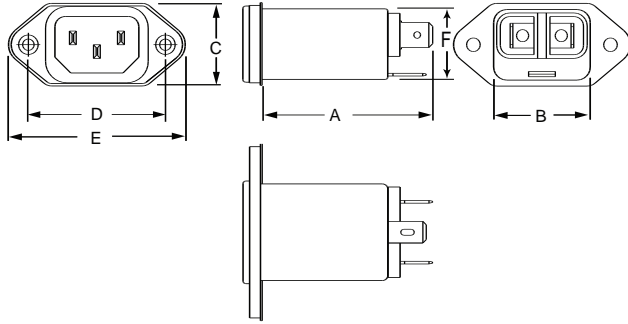
Line-to-line in 50 ohm circuit

Current Rating	Frequency-MHz								
	.05	.5	1	10	20	30	80	150	200
1A	1.5	21	28	34	36	29	27	34	28
3A	1.5	17	23	29	31	37	33	32	28
6A	1.5	16	22	28	29	34	37	37	32
10A	2	16	22	28	24	18	27	32	30
15A	1.5	17	23	35	34	29	27	29	25

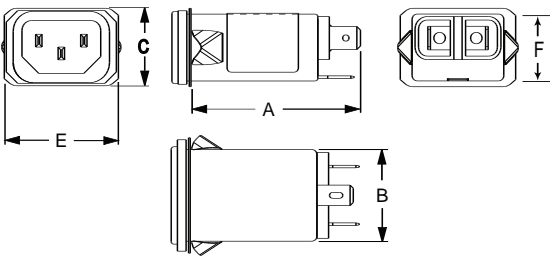
# EJM Series

## Case Styles

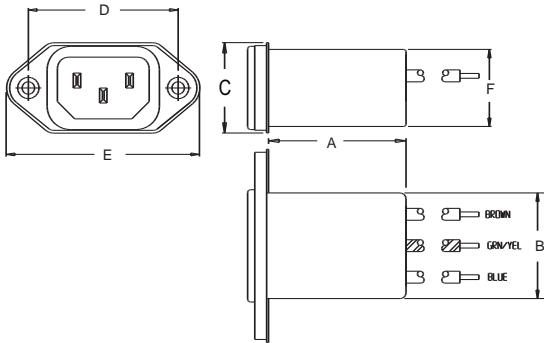
### EJM1



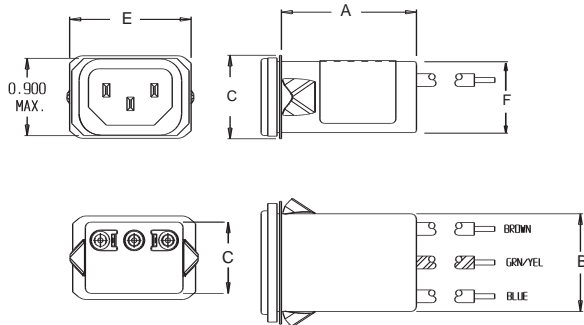
### EJMS1



### EJM8



### EJMS8



Typical Dimensions:

Wire Leads: 4.0 [101.6] Min.  
Mounting holes: 0.125

## Case Dimensions

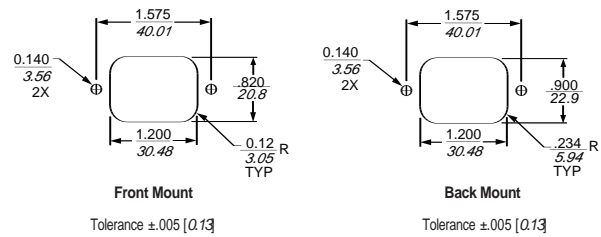
Part No.	A (max)	B (max)	C (max)	D $\frac{\pm 0.15}{\pm 0.38}$	E (max)	F (max)
EJM1	2.02 51.3	1.13 28.7	0.96 24.4	1.58 40.00	2.04 51.8	0.81 20.6
EJMS1	2.02 51.3	1.13 28.7	0.96 24.4	—	1.41 35.8	0.81 20.6
EJM8	1.50 38.1	1.13 28.7	0.96 24.4	1.58 40.00	2.04 51.8	0.81 20.6
EJMS8	1.50 38.1	1.13 28.7	0.96 24.4	—	1.41 35.8	0.81 20.6

## Part Numbers

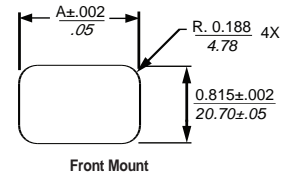
1EJM1	6EJM1	15EJM1
1EJM8	6EJM8	15EJM8
1EJMS1	6EJMS1	15EJMS1
1EJMS8	6EJMS8	15EJMS8
3EJM1	10EJM1	
3EJM8	10EJM8	
3EJMS1	10EJMS1	
3EJMS8	10EJMS8	

## Recommended Panel Cutouts

### EJM1 & EJM8



### EJMS1 & EJMS8



Panel Thickness	A Dim. ±0.002
0.031 - 0.052 [1.79 - 1.32]	1.260 [32.00]
0.046 - 0.068 [1.17 - 1.73]	1.350 [34.29]