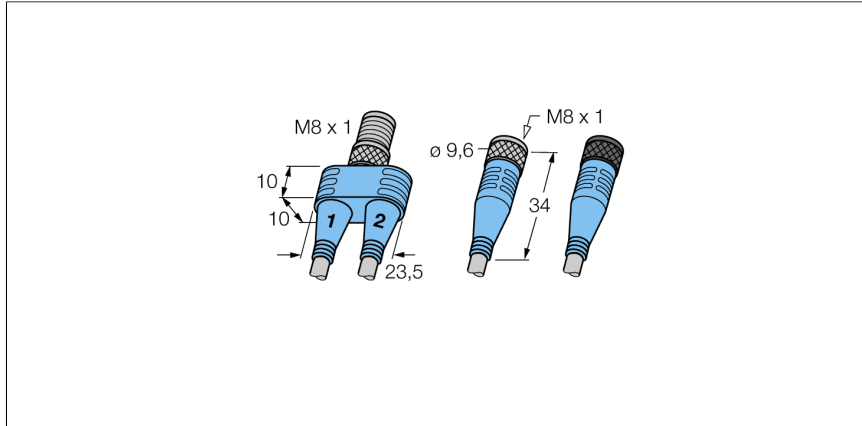
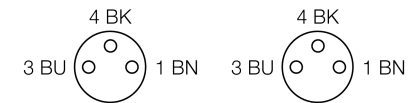
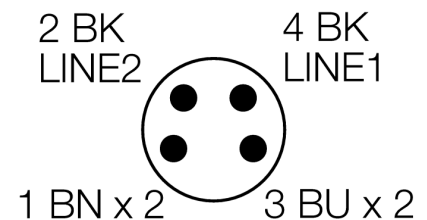


**2 port junction systems**  
**Y junction, M8 x 1, male connector - 2 female M8 x 1 connectors, with cable**  
**MB-SSP4-2SKP3-5/5/XOR**



- robust and pre-assembled Y junction
- Degree of protection IP67
- also available with different cable lengths and of different materials
- irradiated PVC
- high short-term temperature resistance (+250 °C)

**Wiring diagram**



<b>Type code</b>	MB-SSP4-2SKP3-5/5/XOR
Ident no.	8027887
<b>Junction box</b>	Y-piece, with cable, screwable
Number of pins	4/3
Grip	plastic, TPU, blue
Connector B side	male connector, 1x, M8x1, straight
Number of pins	3
Grip	plastic, TPU, blue
Contact carriers	plastic, TPU, black
Contacts	metal, CuZn, gold-plated
Coupling nut/screw	metal, CuZn, nickel-plated
Protection class	IP67, (screwed together)
Mechanical lifespan	> 100 mating cycles
Pollution degree	3
<b>Connector</b>	female connector, 2x, M8x1, straight
Polarity	3-pole
Grip	plastic, TPU, blue
Contact carriers	plastic, TPU, black
Contacts	metal, CuZn, gold-plated
Coupling nut/screw	metal, CuZn, channel 1: PTFE/Channel 2: nickel-plated
Seal	plastic, FKM/FPM
Protection class	IP67, only in screwed state
Mechanical lifespan	> 100 contact durability
Pollution degree	3
<b>Cable</b>	XOR, LifXX, 4.4
Cable length	5/ 5m
Cable sheath	PVC, OG
Core insulation	PVC
Core colors	BN, BU, BK
Core cross-section	3x0.25mm <sup>2</sup>
Litz wire arrangement	32x0.1 mm
Bending radius (mobile)	min. 10 x Ø cable
<b>Rated voltage [Umax]</b>	30 V
Ampacity	4 A
Forward resistance	≤ 5 mΩ
Insulation resistance	≥ 10 <sup>8</sup> Ω
Ambient temperature junction	-30 ... +90°C
Cable ambient temperature	-40... +80°C +250 °C short-term

**Cable quality XOR**

Due to its irradiated cable jacket, this pure PVC cable features increased thermostability at higher temperatures, improved mechanical rigidity, resistance to chemicals and abrasion compared to a standard PVC cable.

