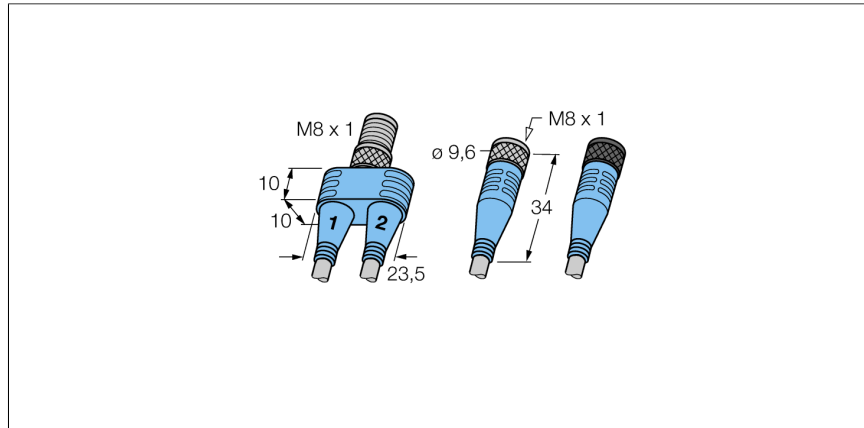


2 port junction systems

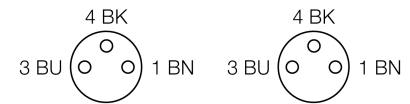
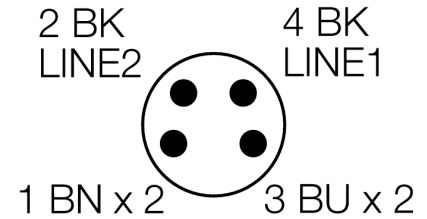
Y junction, M8 x 1, male connector - 2 female M8 x 1 connectors, with cable

MB-SSP4-2SKP3-10/10/S366



- robust and pre-assembled Y junction
- Degree of protection IP67
- also available with different cable lengths and of different materials

Wiring diagram



Type code	MB-SSP4-2SKP3-10/10/S366
Ident no.	8027881
Junction box	Y-piece, with cable, screwable
Number of pins	4/3
Grip	plastic, TPU, blue
Connector B side	male connector, 1x, M8x1, straight
Number of pins	3
Grip	plastic, TPU, blue
Contact carriers	plastic, TPU, black
Contacts	metal, CuZn, gold-plated
Coupling nut/screw	metal, CuZn, nickel-plated
Protection class	IP67, (screwed together)
Mechanical lifespan	> 100 mating cycles
Pollution degree	3
Connector	female connector, 2x, M8x1, straight
Polarity	3-pole
Grip	plastic, TPU, blue
Contact carriers	plastic, TPU, black
Contacts	metal, CuZn, gold-plated
Coupling nut/screw	metal, CuZn, channel 1: PTFE/Channel 2: nickel-plated
Seal	plastic, FKM/FPM
Protection class	IP67, only in screwed state
Mechanical lifespan	> 100 contact durability
Pollution degree	3
Cable	S366, Lif9YH-11YH, 4.4
Cable length	10/ 10m
Cable sheath	PUR, GY
Core insulation	PP
Core colors	BN, BU, BK
Core cross-section	4x0.25mm ²
Litz wire arrangement	24x0.1 mm
Bending radius (mobile)	min. 10 x Ø cable
Rated voltage [Umax]	30 V
Ampacity	4 A
Forward resistance	≤ 5 mΩ
Insulation resistance	≥ 10 ⁸ Ω
Ambient temperature junction	-30 ... +90°C
Cable ambient temperature	-40... +90°C

Cable quality S366

Flexible PVC and halogen-free control cable with PUR jacket and polypropylene conductor insulation. The temperature resistance ranges from 40°C up to +90°C. Oil resistance and flame retardance according to VDE 0472 are fulfilled. This cable is suited for flexible use in robot technology, tooling machines and in machining applications.

