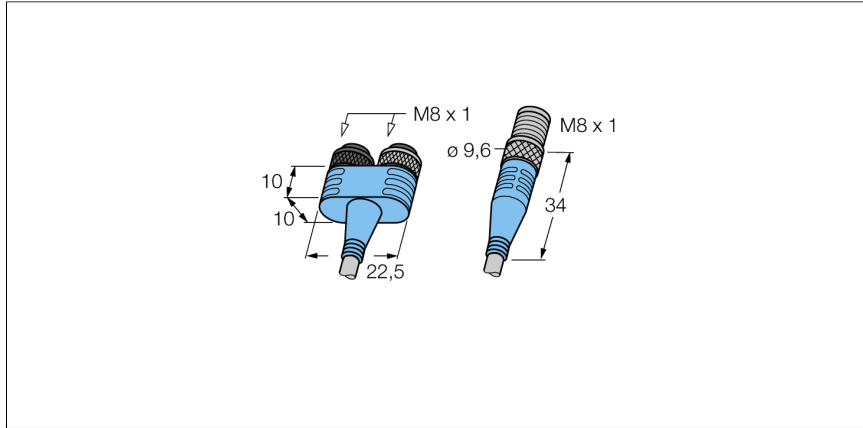
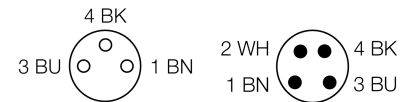
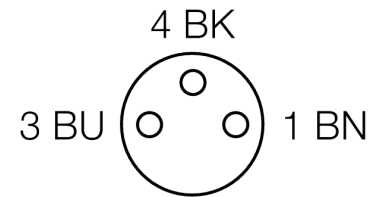


2 port junction systems
Y junction, M8 x 1; 2 female connectors with cable - male connector
MB-2SKP3-5-SSP4/P00



- robust and pre-assembled Y junction
- Degree of protection IP67
- also available with different cable lengths and of different materials
- PVC cable

Wiring diagram



Type code	MB-2SKP3-5-SSP4/P00
Ident no.	8027948
Junction box	Y-piece, with cable, screwable
Number of pins	3/4
Grip	plastic, TPU, blue
Connector B side	female connector, 2x, M8x1, straight
Number of pins	3
Grip	plastic, TPU, blue
Contact carriers	plastic, PA 6 GF, black
Contacts	metal, CuZn, gold-plated
Coupling nut/screw	metal, CuZn, channel 1 PTFEised/channel 2 nickel-plated
Seal	plastic, FPM/FKM
Protection class	IP67, (screwed together)
Mechanical lifespan	> 100 mating cycles
Pollution degree	3
Connector	Connector, 1x, M8x1, straight
Polarity	4-pole
Grip	plastic, TPU, blue
Contact carriers	plastic, TPU, black
Contacts	metal, CuZn, gold-plated
Coupling nut/screw	metal, CuZn, nickel-plated
Protection class	IP67, only when plugged in
Mechanical lifespan	> 100 contact durability
Pollution degree	3/2
Cable	P00, LifYY, 4.4
Cable length	5m
Cable sheath	PVC, GY
Core insulation	PVC
Core colors	BN, WH, BU, BK
Core cross-section	4x0.25mm ²
Litz wire arrangement	32x0.1 mm
Bending radius (mobile)	min. 10 x Ø cable
Rated voltage [Umax]	30 V
Ampacity	4 A
Forward resistance	≤ 5 mΩ
Insulation resistance	≥ 10 ⁸ Ω
Ambient temperature junction	-30 ... +90°C
Cable ambient temperature	-40... +80°C

Cable quality P00

This pure PVC cable with PVC cable jacket and conductor insulation is resistant to average mechanical strain and suited for use in tooling and packaging machinery as well as assembly and production lines.

