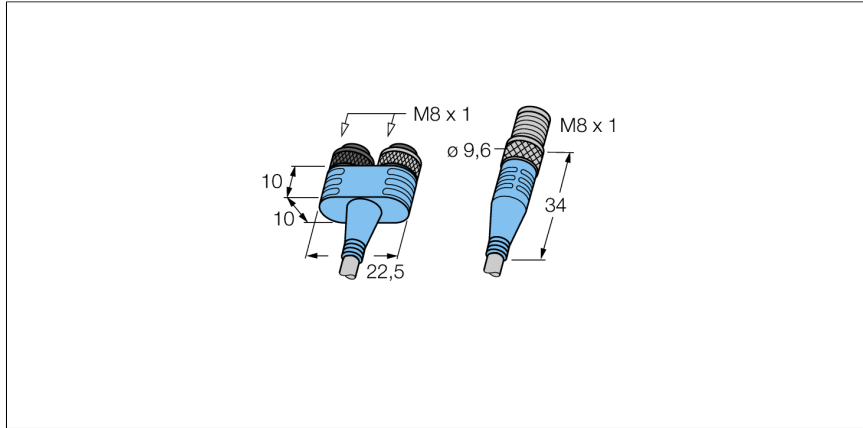
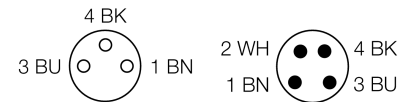
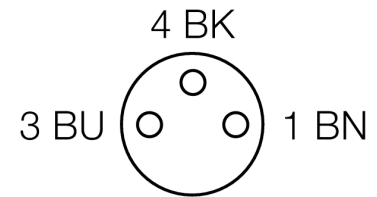


2 port junction systems
Y junction, M8 x 1; 2 female connectors with cable - male connector
MB-2SKP3-1-SSP4/S90



- robust and pre-assembled Y junction
- Degree of protection IP67
- also available with different cable lengths and of different materials
- PUR cable

Wiring diagram



Type code	MB-2SKP3-1-SSP4/S90
Ident no.	8027952
Junction box	Y-piece, with cable, screwable
Number of pins	3/4
Grip	plastic, TPU, blue
Connector B side	female connector, 2x, M8x1, straight
Number of pins	3
Grip	plastic, TPU, blue
Contact carriers	plastic, PA 6 GF, black
Contacts	metal, CuZn, gold-plated
Coupling nut/screw	metal, CuZn, channel 1 PTFEised/channel 2 nickel-plated
Seal	plastic, FPM/FKM
Protection class	IP67, (screwed together)
Mechanical lifespan	> 100 mating cycles
Pollution degree	3
Connector	Connector, 1x, M8x1, straight
Polarity	4-pole
Grip	plastic, TPU, blue
Contact carriers	plastic, TPU, black
Contacts	metal, CuZn, gold-plated
Coupling nut/screw	metal, CuZn, nickel-plated
Protection class	IP67, only when plugged in
Mechanical lifespan	> 100 contact durability
Pollution degree	3/2
Cable	S90, LiYY11Y, 4.4
Cable length	1m
Cable sheath	PUR/PVC, GY
Core insulation	PVC
Core colors	BN, WH, BU, BK
Core cross-section	4x0.25mm ²
Litz wire arrangement	28x0.1 mm
Bending radius (mobile)	min. 10 x Ø cable
Rated voltage [Umax]	30 V
Ampacity	4 A
Forward resistance	≤ 5 mΩ
Insulation resistance	≥ 10 ⁸ Ω
Ambient temperature junction	-30 ... +90°C
Cable ambient temperature	-40... +80°C

Cable quality S90

All-round cable with PUR cable jacket and PVC conductor insulation suited for use in tooling machinery, assembly and production lines and machining applications. The cable features good resistance against oils and chemicals and is highly abrasion-resistant.

