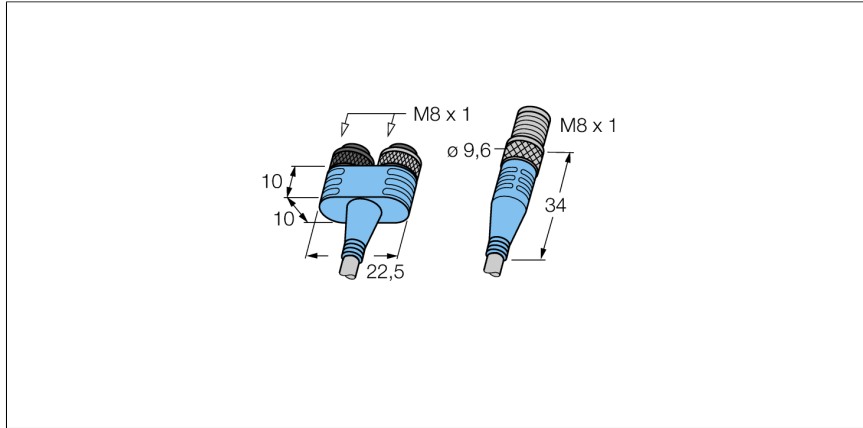
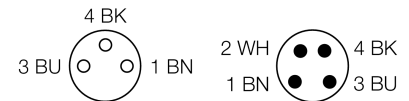
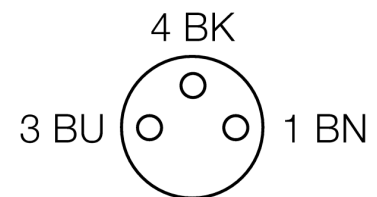


2 port junction systems
Y junction, M8 x 1; 2 female connectors with cable - male connector
MB-2SKP3-0,6-SSP4/XOR



- robust and pre-assembled Y junction
- Degree of protection IP67
- also available with different cable lengths and of different materials
- irradiated PVC
- high short-term temperature resistance (+250 °C)

Wiring diagram



Type code	MB-2SKP3-0,6-SSP4/XOR
Ident no.	8027965
Junction box	Y-piece, with cable, screwable
Number of pins	3/4
Grip	plastic, TPU, blue
Connector B side	female connector, 2x, M8x1, straight
Number of pins	3
Grip	plastic, TPU, blue
Contact carriers	plastic, PA 6 GF, black
Contacts	metal, CuZn, gold-plated
Coupling nut/screw	metal, CuZn, channel 1 PTFEised/channel 2 nickel-plated
Seal	plastic, FPM/FKM
Protection class	IP67, (screwed together)
Mechanical lifespan	> 100 mating cycles
Pollution degree	3
Connector	Connector, 1x, M8x1, straight
Polarity	4-pole
Grip	plastic, TPU, blue
Contact carriers	plastic, TPU, black
Contacts	metal, CuZn, gold-plated
Coupling nut/screw	metal, CuZn, nickel-plated
Protection class	IP67, only when plugged in
Mechanical lifespan	> 100 contact durability
Pollution degree	3/2
Cable	XOR, LifXX, 4.4
Cable length	0.6m
Cable sheath	PVC, OG
Core insulation	PVC
Core colors	BN, BU, BK, WH
Core cross-section	4x0.25mm ²
Litz wire arrangement	32x0.1 mm
Bending radius (mobile)	min. 10 x Ø cable
Rated voltage [Umax]	30 V
Ampacity	4 A
Forward resistance	≤ 5 mΩ
Insulation resistance	≥ 10 ⁹ Ω
Ambient temperature junction	-30 ... +90°C
Cable ambient temperature	-40... +80°C +250 °C short-term

Cable quality XOR

Due to its irradiated cable jacket, this pure PVC cable features increased thermostability at higher temperatures, improved mechanical rigidity, resistance to chemicals and abrasion compared to a standard PVC cable.

