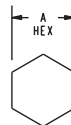
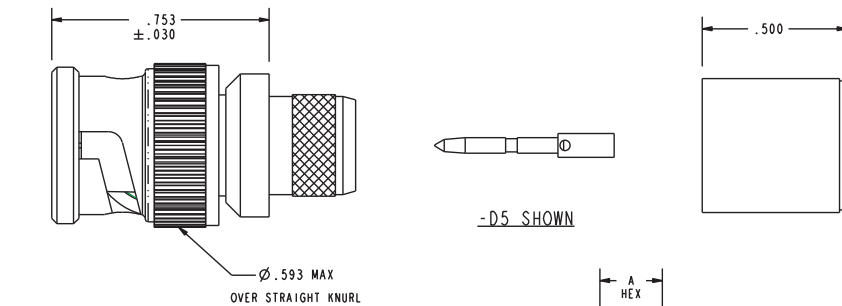
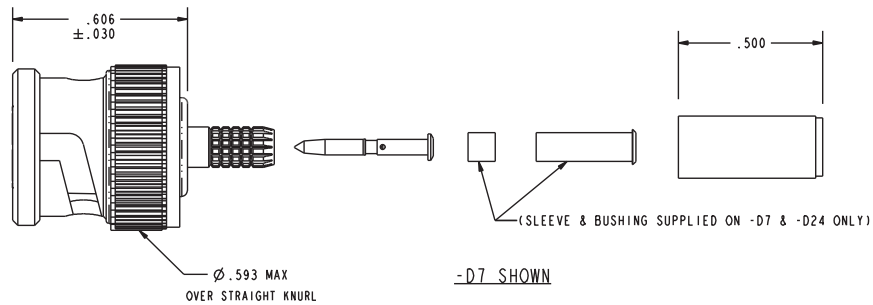


DASH NO	CABLE ACCOMMODATED	A HEX	ASSEMBLE PER
-D1	COMM/SCOPE 7538	.178	TA1-247
-D2	BELDEN 1505A GEPKO VPM2000	.255	
-D3	RG-59		
-D4	BELDEN 1694A GEPKO VSD2001	.290	
-D5	BELDEN 7731A COMM/SCOPE 5906	.403	
-D6	BELDEN 1695A	.290	
-D7	BELDEN 9221 RG-179	.178	
-D8	BELDEN 1506A GEPKO VPM2000TK	.255	
-D9	BELDEN 9209		
-D10	BELDEN 8281	.324	
-D11	WESTPENN 25815	.255	
-D12	NOKIA 0.6/2.8	.213	
-D13	COMM/SCOPE 7530	.344	
-D14	BELDEN 8279 GEPKO VPM618 CANARE L-3CFB	.255	
-D15	COMM/SCOPE F59	.290	
-D16	BELDEN 7732A COMM/SCOPE 2285	.403	
-D17	NK NETWORKS 0.6/3.7	.290	
-D18	COMM/SCOPE S59 HEC		
-D19	BELDEN 1855A	.213	
-D20	BELDEN 1505F	.255	
-D21	VDM230	.213	
-D23	M17/2 (RG 6)	.344	
-D24	BELDEN 179DT	.178	
-D25	BELDEN 1694F	.324	

DRG NO.	1-0569	REV	1	CUSTOMER		CUSTOMER P/N		CUST. REV	
DATA CONTAINED IN THIS DOCUMENT IS PROPRIETARY TO EMERSON CONNECTIVITY SOLUTIONS AND SHALL NOT BE DISCLOSED, COPIED OR USED FOR PRODUCTION OR REPRODUCTION WITHOUT EXPRESS WRITTEN PERMISSION.									
<b>REVISIONS</b>									
REV	DESCRIPTIONS			DATE	APPROVED				
S	ECO 53205			5/17/11	TKo				



3. EXAMPLE OF A COMPLETE MODEL NO:

UPL2000 - D1  
 BASIC P/N      DASH NO.  
    PER TABLE

2. RF COAXIAL 75Ω BNC FULL CRIMP CABLE PLUG FOR DIGITAL APPLICATION

1. FINISH: BODY: TFS-1A (NICKEL)  
 OUTER CONTACT: TFS-1Z (GOLD FLASH Pd Ni)  
 PIN: TFS-1B (GOLD)  
 BAYONET SLEEVE: BLACK ELECTROLESS NICKEL

NOTES: UNLESS OTHERWISE SPECIFIED.

RECOMMENDED  
 HEC CRIMP

INTERPRET DRAWING PER MIL-STD-100, DIMENSIONS ARE IN INCHES AND INCLUDE FINISH THICKNESS UNLESS OTHERWISE SPECIFIED.	TOL: UNLESS SPECIFIED .XX ± .02 .XXX ± .010 .XXXX ± .005 .000 ± .001 .000 ± .001	<b>EMERSON</b> Network Power		Connectivity Solutions 299 Johnson Ave., Ste. 100 Roseville, MN 56993 1-800-247-8256
DATE: 5/17/11	REV: 1	TITLE: UPL2000		REV: S
DRG: N/A	CHK: TKo	DATE: 5/19/11	FINISH:	SIZE: B
QUALITY: N/A	APPROVALS:	DO NOT SCALE DRG:	SCALE: 2/1	DATE: 4/23/01
SURFACE AREA:	PROF FILE NO: 1-0569	DO NOT SCALE DRG:	SCALE: 2/1	DATE: 4/23/01
SHEET 2/1		DRAWING NO. 1-0569		SHEET OF 2