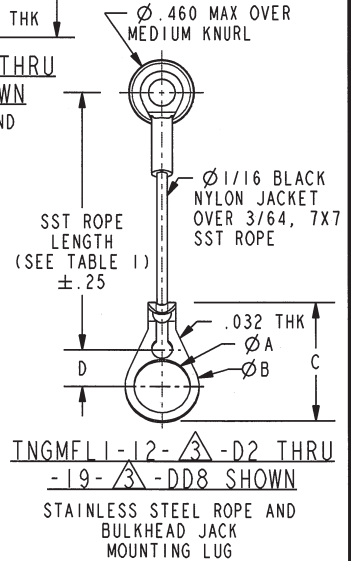
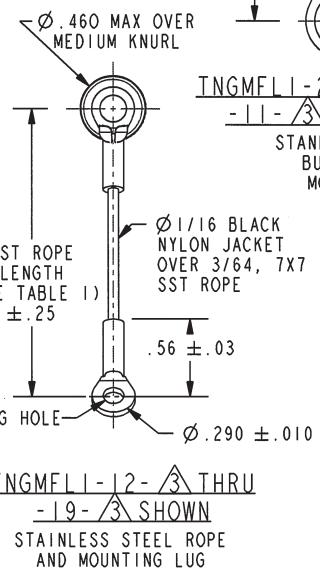
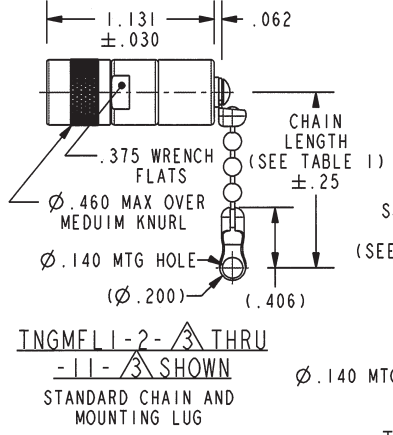
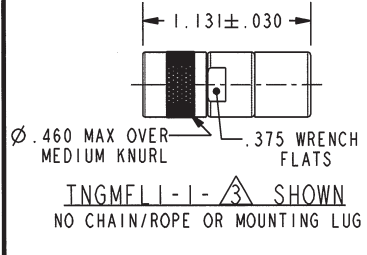


RED INDICATES ORIGINAL

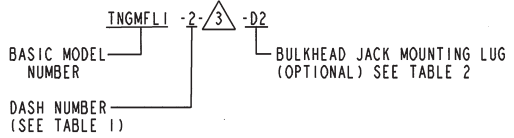
TABLE 1		TABLE 2				
DASH NO	DESCRIPTION	DASH NO	Ø A	Ø B	C DIM	D DIM
-1	NO CHAIN	-D2	.630	.750	1.066	.450
-2	2.5 BRASS CHAIN	-D3	.505	.625	.941	.388
-3	2.5 NYLON CHAIN	-D4	.439	.562	.878	.355
-4	3.0 BRASS CHAIN	-D5	.380	.500	.816	.325
-5	3.0 NYLON CHAIN	-D6	.317	.437	.753	.295
-6	6.0 BRASS CHAIN	-D7	.281	.406	.722	.278
-7	6.0 NYLON CHAIN	-D8	.610	.750	1.066	.450
-8	4.0 BRASS CHAIN	-D9	.567	.687	1.003	.419
-9	4.0 NYLON CHAIN	-D10	.192	.312	.628	.231
-10	10.0 BRASS CHAIN	-DD8	.330	.450	.766	.300
-11	10.0 NYLON CHAIN					
-12	2.5 SST ROPE					
-13	3.0 SST ROPE					
-14	6.0 SST ROPE					
-15	4.0 SST ROPE					
-16	7.0 SST ROPE					
-17	4.5 SST ROPE					
-18	12.0 SST ROPE					
-19	18.0 SST ROPE					

DATA CONTAINED IN THIS DOCUMENT IS PROPRIETARY TO TROMPETER ELECTRONICS, INC. AND SHALL NOT BE DISCLOSED, COPIED OR USED FOR PROMOTION OR MANUFACTURE WITHOUT EXPRESS WRITTEN PERMISSION.

REVISIONS			
REV	DESCRIPTIONS	DATE	APPROVED
G	REVISED PER ECO # 16834	1/13/09	JWC/ck



4. EXAMPLE OF COMPLETE MODEL NUMBER:

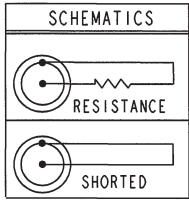


3 RESISTANCE VALUE IN OHMS (1/8 W. 1%), OR "S" CONTACT SHORTED TO INNER SHIELD (NO RESISTOR) "O" LOOSELY ASSEMBLED (NO RESISTOR)

2. FINISH: TFS-1A (NICKEL)

1. CONCENTRIC TWINAX/TRIAX TERMINATION TRS SUBMINIATURE SERIES PLUG WITH CHAIN AND SST ROPE OPTIONS

NOTES: UNLESS OTHERWISE SPECIFIED.



INTERPRET DRAWING PER MIL-STD-100. DIMENSIONS ARE IN INCHES AND INCLUDE FINISH THICKNESS UNLESS OTHERWISE SPECIFIED.		TOL: UNLESS SPECIFIED. .XX ± .02 .XXX ± .010 ANGLE ± 1°	
DRW: J. CARPENTER 12-15-08	MATERIAL:	TITLE: INGMFL1	
CHK: M.J. 1-13-09	FINISH:	SIZE: A	
MANUF:	APPROVED: JWC 1-13-09	CAGE CODE: 14949	DRAWING NO.: 3-0061
NEXT ASSY: 3-0061	DO NOT SCALE DWG	SCALE: 1/1	DATE: 3-26-81
			SHEET: IC