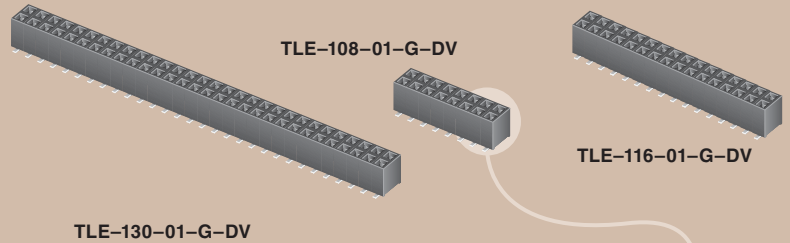


(2,00mm) .0787"

TLE SERIES



COST-EFFECTIVE RELIABLE SOCKET

SPECIFICATIONS

For complete specifications and recommended PCB layouts see www.samtec.com?TLE

Insulator Material:

Black Liquid Crystal Polymer



Contact Material:

Phosphor Bronze

Plating:

Au over 50µ" (1,27µm) Ni

Operating Temp Range:

-55°C to +125°C

Insertion Depth:

(2,08mm) .082" to (4,37mm) .172" with (0,38mm) .015" wiper, pass-through, or (3,35mm) .132" min for bottom entry

Insertion Force:

(Single contact only) 2.75oz (0,76N) avg.

Withdrawal Force:

(Single contact only) 0.80oz (0,22N) avg.

RoHS Compliant:

Yes

Processing:

Lead-Free Solderable:

Yes

SMT Lead Coplanarity:

(0,10mm) .004" max (02-26)

(0,15mm) .006" max (27-50)

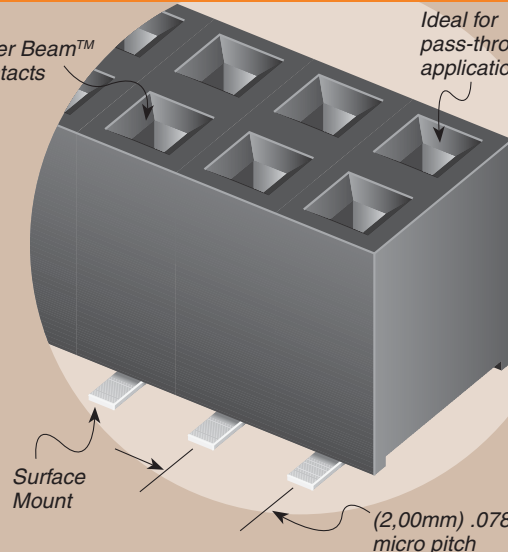
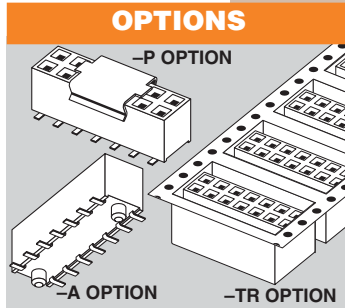
Mates with: TMMH, TMM, MTMM, MMT, TW, LTMM, ZLTMM, TCMD



Tiger Beam™ contacts

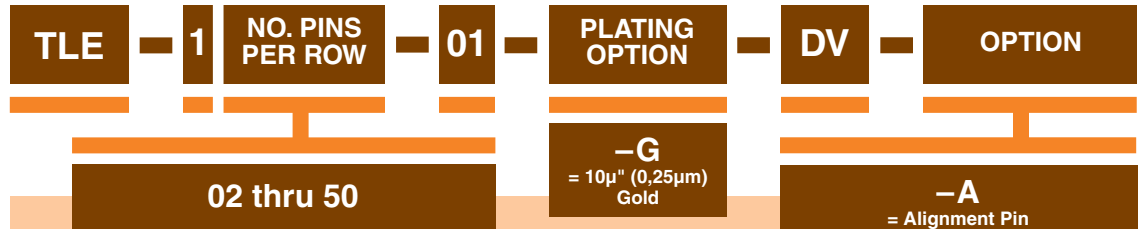
Ideal for pass-through applications

Available with optional Pick & Place Pads

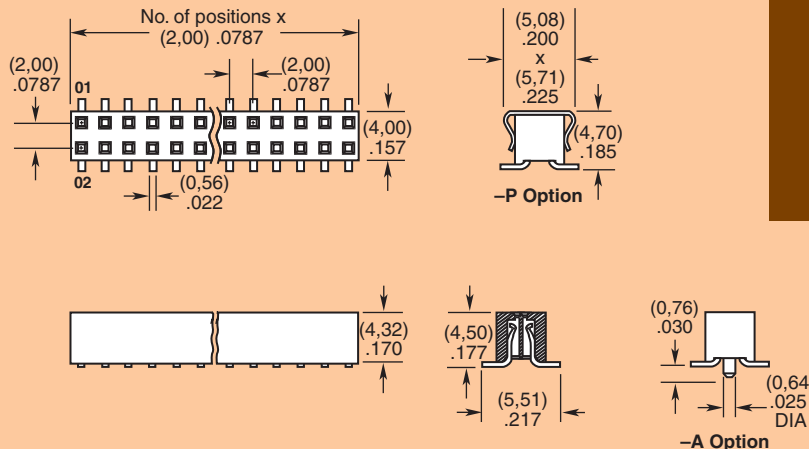


Surface Mount

(2,00mm) .0787" micro pitch



- A = Alignment Pin (3 positions minimum) Metal or plastic at Samtec's discretion.
- K = (5,00mm) .197" DIA Polyimide Film Pick & Place Pad (3 positions minimum)
- P = Metal Pick & Place Pad (4 positions minimum)
- TR = Tape & Reel Packaging (2-37 positions only)



TAPE & REEL AVAILABILITY
 No tooling charges. Minimum order is the lesser of a full reel quantity or 125 pieces. Order any quantity above minimum. In-house design, manufacture. Quick turn-around. Call Samtec for specifications and ordering information.

Note: Some lengths, styles and options are non-standard, non-returnable.

Due to technical progress, all designs, specifications and components are subject to change without notice.

WWW.SAMTEC.COM