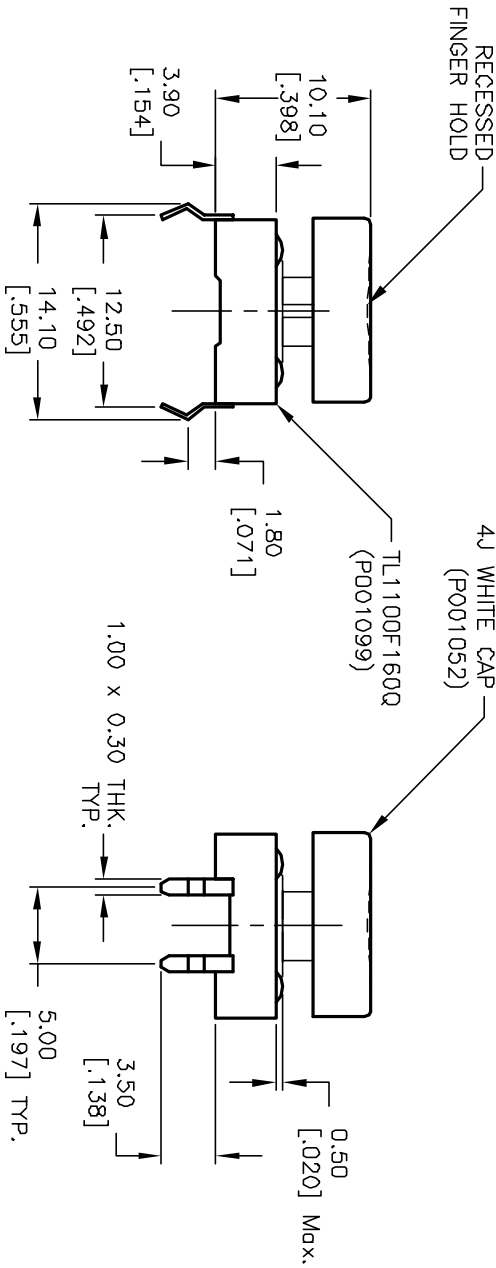
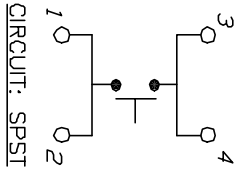
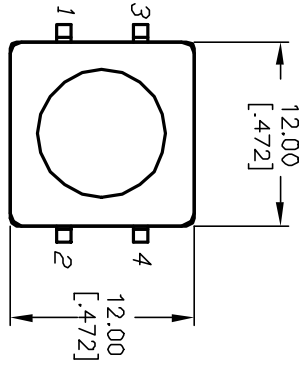


RECOMMENDED P.C.B. LAYOUT



- NOTES:
1. ALL DIMENSIONS IN MM. [INCH]
 2. GENERAL TOLERANCE: X.X=±0.4 X.XX=±0.25
 3. TERM. NOS. FOR REF. ONLY
 4. RATING: 50mA, @12V DC
 5. TRAVEL: 0.30±0.15mm
 6. OPERATING FORCE: 160±50gf
 7. CONTACT RESISTANCE: 100 MILLIOHMS Max.
 8. ELECTRICAL LIFE: 100,000 CYCLES MIN.

REV. A		11263		RELEASED FOR PRODUCTION		2/22/01		CJB		TITLE	
ECN No.		DESCRIPTION		DATE		CHKD		SCALE		DATE	
THE INFORMATION CONTAINED IN THIS DOCUMENT IS PROPRIETARY TO E-SWITCH AND IS NOT TO BE COPIED OR TRANSMITTED		TL 1100 F160 Q (4J WHT)		DR		DVG		REV		A	
2:1		2/22/01		CJB		XP01444					

E-SWITCH®