

McGILL® 0851, 0861 Series Traditional Style Rocker Switches



The McGill® 0851, 0861 series feature a traditional rocker design with a variety of circuits, terminations and lamp configurations with ratings up to 20A @ 277VAC. The 0851 or 0861 series offer angle or curved rockers in a wide selection of colors and finishes to fit your application requirements.

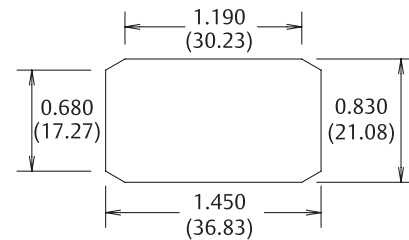
Specifications

- UL recognized, CSA certified
 - 15A, 277VAC
 - 3/4 HP, 125-277VAC
- VDE approval available
- 125V and 250VAC neon lamps available
- 14V and 28VDC incandescent lamps available

Construction

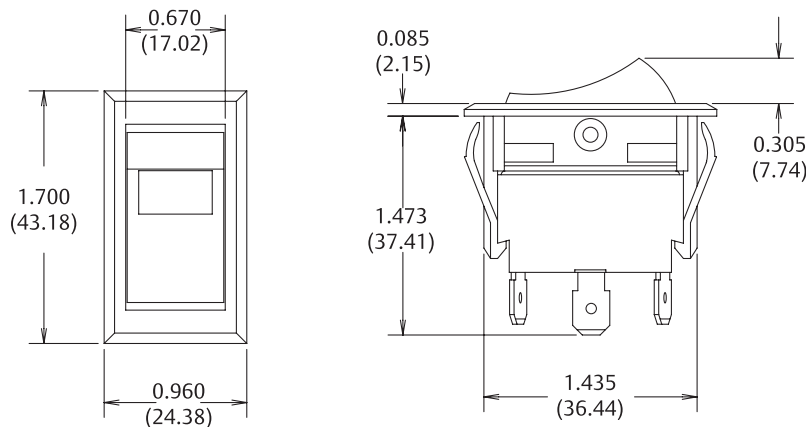
- .250 x .032 spade terminals
- .187 spade terminals, screw terminals, solder terminals and 16-gauge wire leads are also available. Consult factory for other circuits, colors or custom designs.

Panel Opening



Panel Thickness

.040 (1.02) – .187 (4.75)



Approximate dimensions in inches and (millimeters).



0851 and 0861 Traditional Style Rocker Switches

Black Bezel, White Rocker, Red Lens *

	Circuit Arrangement			Lights	SINGLE POLE		DOUBLE POLE	
					Poles	Cat. No.	Poles	Cat. No.
	A	B	C					
Unlighted Versions	on	—	off	0	SPST	0851-0001	DPST	0861-0001
	on	off	on	0	SPDT	0851-0002	DPDT	0861-0002
	on	—	on	0	SPDT	0851-0003	DPDT	0861-0003
	(on)	—	off	0	SPST	0851-0004	DPST	0861-0004
	(on)	off	(on)	0	SPDT	0851-0005	DPDT	0861-0005
	(on)	off	on	0	SPDT	0851-0006	DPDT	0861-0006
	on	—	(off)	0	SPST	0851-0007	DPST	0861-0007
	(on)	—	on	0	SPDT	0851-0008	DPDT	0861-0008
Lighted Versions	on	—	off	1	SPST	0851-1301	DPST	0861-1301
	on	off	on	2	SPDT	0851-2302	DPDT	0861-2302
	on	—	on	2	SPDT	0851-2303	DPDT	0861-2303
	(on)	—	off	1	SPST	0851-1304	DPST	0861-1304
	(on)	off	(on)	2	SPDT	0851-2305	DPDT	0861-2305
	(on)	off	on	2	SPDT	0851-2306	DPDT	0861-2306
	on	—	(off)	1	SPST	0851-1307	DPST	0861-1307
	(on)	—	on	2	SPDT	0851-2308	DPDT	0861-2308

() Momentary

NOTE: For single pole versions, lamp illuminates under depressed portion of actuator. For double pole versions, lamp illuminates opposite depressed portion of actuator. Independent lamps not available on DPDT versions.