

**PCM1600**  
**PCM1601**

For most current data sheet and other product information, visit [www.burr-brown.com](http://www.burr-brown.com)

*SoundPLUS™* **24-Bit, 96kHz Sampling, 6-Channel,  
Enhanced Multi-Level, Delta-Sigma  
DIGITAL-TO-ANALOG CONVERTER**

## FEATURES

- 24-BIT RESOLUTION
- ANALOG PERFORMANCE:
  - Dynamic Range: 105dB typ
  - SNR: 104dB typ
  - THD+N: 0.0018% typ
  - Full-Scale Output: 3.1Vp-p typ
- 8x OVERSAMPLING INTERPOLATION FILTER:
  - Stopband Attenuation: -82dB
  - Passband Ripple:  $\pm 0.002$ dB
- SAMPLING FREQUENCY: 10kHz to 100kHz
- ACCEPTS 16, 18, 20, AND 24-BIT AUDIO DATA
- DATA FORMATS: Standard, I<sup>2</sup>S, and Left-Justified
- SYSTEM CLOCK: 256f<sub>S</sub>, 384f<sub>S</sub>, 512f<sub>S</sub>, or 768f<sub>S</sub>
- USER-PROGRAMMABLE FUNCTIONS:
  - Digital Attenuation: 0dB to -63dB, 0.5dB/Step
  - Soft Mute
  - Zero Detect Mute
  - Zero Flags for Each Output Channel
  - Digital De-Emphasis
  - Digital Filter Roll-Off: Sharp or Slow
- DUAL SUPPLY OPERATION:
  - +5V Analog, +3.3V Digital
- 5V TOLERANT DIGITAL LOGIC INPUTS
- PACKAGES<sup>(1)</sup>: LQFP-48 (PCM1600) and MQFP-48 (PCM1601)

## APPLICATIONS

- INTEGRATED AV RECEIVERS
- DVD MOVIE AND AUDIO PLAYERS
- HDTV RECEIVERS
- CAR AUDIO SYSTEMS
- DVD ADD-ON CARDS FOR HIGH-END PCs
- DIGITAL AUDIO WORKSTATIONS
- OTHER MULTI-CHANNEL AUDIO SYSTEMS

## DESCRIPTION

The PCM1600<sup>(1)</sup> and PCM1601<sup>(1)</sup> are CMOS monolithic integrated circuits which feature six 24-bit audio digital-to-analog converters and support circuitry in either a LQFP-48 or MQFP-48 package. The digital-to-analog converters utilize Burr-Brown's enhanced multi-level, delta-sigma architecture, which employ 4th-order noise shaping and 8-level amplitude quantization to achieve excellent signal-to-noise performance and a high tolerance to clock jitter.

The PCM1600 and PCM1601 accept industry-standard audio data formats with 16- to 24-bit audio data. Sampling rates up to 100kHz are supported. A full set of user-programmable functions are accessible through a 4-wire serial control port which supports register write and readback functions.

**NOTE:** (1) The PCM1600 and PCM1601 utilize the same die and are electrically the same. All references to the PCM1600 apply equally to the PCM1601.



# SPECIFICATIONS (Cont.)

All specifications at +25°C, +V<sub>CC</sub> = +5V, +V<sub>DD</sub> = +3.3V, system clock = 384f<sub>S</sub> (f<sub>S</sub> = 44.1kHz) and 24-bit data, unless otherwise noted.

| PARAMETER                                      | CONDITIONS               | PCM1600Y, PCM1601Y |      |      | UNITS |
|--|--------------------------|--------------------|------|------|-------|
|  |                          | MIN                | TYP  | MAX  |       |
| <b>POWER SUPPLY REQUIREMENTS</b>               |                          |                    |      |      |       |
| Voltage Range, V <sub>DD</sub>                 |                          | +3.0               | +3.3 | +3.6 | V     |
| V <sub>CC</sub>                                |                          | +4.5               | +5.0 | +5.5 | V     |
| Supply Current, I <sub>DD</sub> <sup>(7)</sup> | f <sub>S</sub> = 44.1kHz |                    | 20   | 28   | mA    |
|  | f <sub>S</sub> = 96kHz   |                    | 42   |      | mA    |
| I <sub>CC</sub>                                | f <sub>S</sub> = 44.1kHz |                    | 40   | 56   | mA    |
|  | f <sub>S</sub> = 96kHz   |                    | 42   |      | mA    |
| Power Dissipation                              | f <sub>S</sub> = 44.1kHz |                    | 266  | 409  | mW    |
|  | f <sub>S</sub> = 96kHz   |                    | 349  |      | mW    |
| <b>TEMPERATURE RANGE</b>                       |                          |                    |      |      |       |
| Operation                                      |                          | 0                  |      | +70  | °C    |
| Storage  |                          | -55                |      | +125 | °C    |
| Thermal Resistance, θ <sub>JA</sub>            |                          |                    | 100  |      | °C/W  |

NOTES: (1) Pins 38, 40, 41, 45-47 (SCLKI, BCK, LRCK, DATA1, DATA2, DATA3). (2) Pins 34-37 (MDI, MC, ML, RST). (3) Pins 1-6, 48 (ZERO1-6, ZEROA). (4) Pin 39 (SCLKO). (5) Analog performance specifications are tested with Shibasoku #725 THD Meter 400Hz HPF, 30kHz LPF on, average mode with 20kHz bandwidth limiting. The load connected to the analog output is 5kΩ or larger, AC-coupled. (6) SNR is tested with Infinite Zero Detection off. (7) CLKO is disabled.

## ABSOLUTE MAXIMUM RATINGS

|   |                                   |
|---|-----------------------------------|
| Power Supply Voltage, V <sub>DD</sub> .....           | +4.0V                             |
| V <sub>CC</sub> .....                                 | +6.5V                             |
| +V <sub>CC</sub> to +V <sub>DD</sub> Difference ..... | ±0.1V                             |
| Digital Input Voltage .....                           | -0.2V to +5.5V                    |
| Digital Output Voltage <sup>(1)</sup> .....           | -0.2V to (V <sub>DD</sub> + 0.2V) |
| Input Current (except power supply) .....             | ±10mA                             |
| Power Dissipation .....                               | 650mW                             |
| Operating Temperature Range .....                     | 0°C to +70°C                      |
| Storage Temperature .....                             | -55°C to +125°C                   |
| Lead Temperature (soldering, 5s) .....                | +260°C                            |
| Package Temperature (IR reflow, 10s) .....            | +235°C                            |

NOTE: (1) Pin 33 (MDO) when output is disabled.



## ELECTROSTATIC DISCHARGE SENSITIVITY

This integrated circuit can be damaged by ESD. Burr-Brown recommends that all integrated circuits be handled with appropriate precautions. Failure to observe proper handling and installation procedures can cause damage.

ESD damage can range from subtle performance degradation to complete device failure. Precision integrated circuits may be more susceptible to damage because very small parametric changes could cause the device not to meet its published specifications.

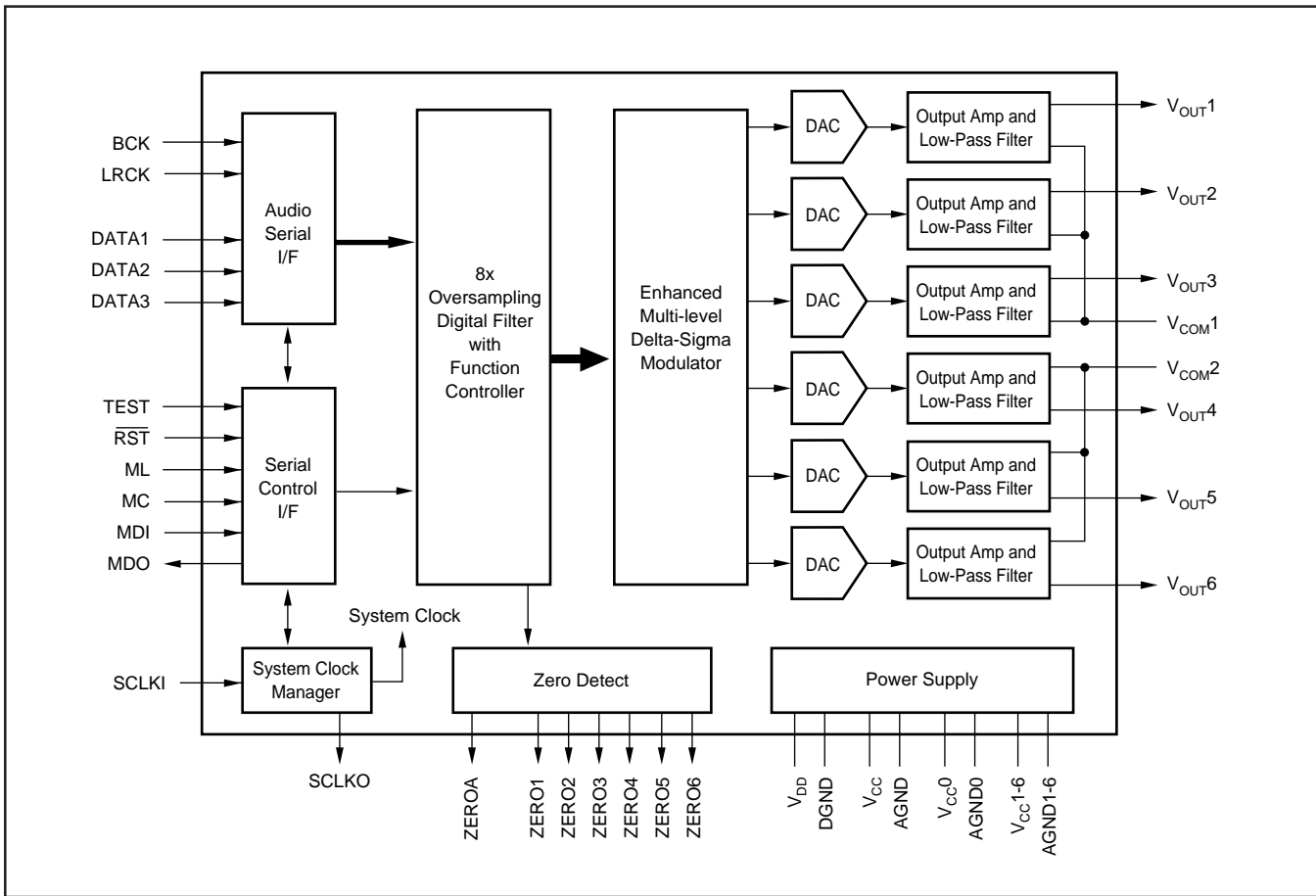
## PACKAGE/ORDERING INFORMATION

| PRODUCT  | PACKAGE      | PACKAGE DRAWING NUMBER | SPECIFIED TEMPERATURE RANGE | PACKAGE MARKING | ORDERING NUMBER <sup>(1)</sup> | TRANSPORT MEDIA |
|----------|--------------|------------------------|-----------------------------|-----------------|--------------------------------|-----------------|
| PCM1600Y | 48-Lead LQFP | 340                    | 0°C to +70°C                | PCM1600Y        | PCM1600Y                       | 250-Piece Tray  |
| "        | "            | "                      | "                           | "               | PCM1600Y/2K                    | Tape and Reel   |
| PCM1601Y | 48-Lead MQFP | 359                    | 0°C to +70°C                | PCM1601Y        | PCM1601Y                       | 84-Piece Tray   |
| "        | "            | "                      | "                           | "               | PCM1601Y/1K                    | Tape and Reel   |

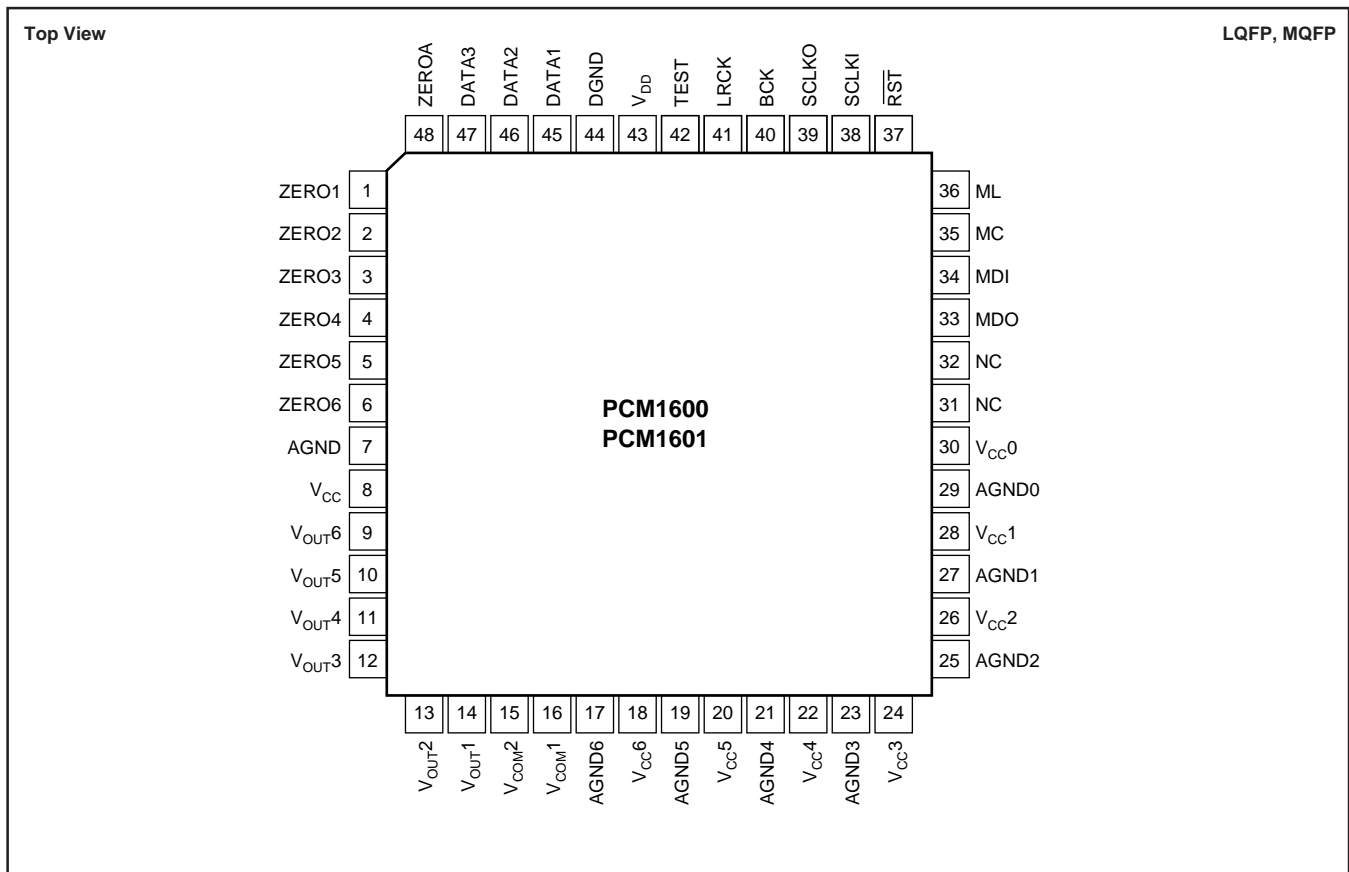
NOTE: (1) Models with a slash (/) are available only in Tape and Reel in the quantities indicated (e.g., /2K indicates 2000 devices per reel). Ordering 2000 pieces of "PCM1600Y/2K" will get a single 2000-piece Tape and Reel.

The information provided herein is believed to be reliable; however, BURR-BROWN assumes no responsibility for inaccuracies or omissions. BURR-BROWN assumes no responsibility for the use of this information, and all use of such information shall be entirely at the user's own risk. Prices and specifications are subject to change without notice. No patent rights or licenses to any of the circuits described herein are implied or granted to any third party. BURR-BROWN does not authorize or warrant any BURR-BROWN product for use in life support devices and/or systems.

## BLOCK DIAGRAM



## PIN CONFIGURATION



## PIN ASSIGNMENTS

| PIN | NAME             | I/O | DESCRIPTION  |
|-----|------------------|-----|--|
| 1   | ZERO1            | O   | Zero Data Flag for $V_{OUT1}$ .  |
| 2   | ZERO2            | O   | Zero Data Flag for $V_{OUT2}$ .  |
| 3   | ZERO3            | O   | Zero Data Flag for $V_{OUT3}$ .  |
| 4   | ZERO4            | O   | Zero Data Flag for $V_{OUT4}$ .  |
| 5   | ZERO5            | O   | Zero Data Flag for $V_{OUT5}$ .  |
| 6   | ZERO6            | O   | Zero Data Flag for $V_{OUT6}$ .  |
| 7   | AGND             | —   | Analog Ground  |
| 8   | $V_{CC}$         | —   | Analog Power Supply, +5V   |
| 9   | $V_{OUT6}$       | O   | Voltage Output of Audio Signal Corresponding to Rch on DATA3.  |
| 10  | $V_{OUT5}$       | O   | Voltage Output of Audio Signal Corresponding to Lch on DATA3.  |
| 11  | $V_{OUT4}$       | O   | Voltage Output of Audio Signal Corresponding to Rch on DATA2.  |
| 12  | $V_{OUT3}$       | O   | Voltage Output of Audio Signal Corresponding to Lch on DATA2.  |
| 13  | $V_{OUT2}$       | O   | Voltage Output of Audio Signal Corresponding to Rch on DATA1.  |
| 14  | $V_{OUT1}$       | O   | Voltage Output of Audio Signal Corresponding to Lch on DATA1.  |
| 15  | $V_{COM2}$       | O   | Common Voltage Output. This pin should be bypassed with a 10 $\mu$ F capacitor to AGND.                              |
| 16  | $V_{COM1}$       | O   | Common Voltage Output. This pin should be bypassed with a 10 $\mu$ F capacitor to AGND.                              |
| 17  | AGND6            | —   | Analog Ground  |
| 18  | $V_{CC6}$        | —   | Analog Power Supply, +5V   |
| 19  | AGND5            | —   | Analog Ground  |
| 20  | $V_{CC5}$        | —   | Analog Power Supply, +5V   |
| 21  | AGND4            | —   | Analog Ground  |
| 22  | $V_{CC4}$        | —   | Analog Power Supply, +5V   |
| 23  | AGND3            | —   | Analog Ground  |
| 24  | $V_{CC3}$        | —   | Analog Power Supply, +5V   |
| 25  | AGND2            | —   | Analog Ground  |
| 26  | $V_{CC2}$        | —   | Analog Power Supply, +5V   |
| 27  | AGND1            | —   | Analog Ground  |
| 28  | $V_{CC1}$        | —   | Analog Power Supply, +5V   |
| 29  | AGND0            | —   | Analog Ground  |
| 30  | $V_{CC0}$        | —   | Analog Power Supply, +5V   |
| 31  | NC               | —   | No Connection. Must be open.   |
| 32  | NC               | —   | No Connection. Must be open.   |
| 33  | MDO              | O   | Serial Data Output for Function Register Control Port <sup>(3)</sup>   |
| 34  | MDI              | I   | Serial Data Input for Function Register Control Port <sup>(1)</sup>  |
| 35  | MC               | I   | Shift Clock for Function Register Control Port <sup>(1)</sup>  |
| 36  | ML               | I   | Latch Enable for Function Register Control Port <sup>(1)</sup>   |
| 37  | $\overline{RST}$ | I   | System Reset, Active LOW <sup>(1)</sup>  |
| 38  | SCLKI            | I   | System Clock In. Input frequency is 256, 384, 512 or 768 $f_S$ . <sup>(2)</sup>                                      |
| 39  | SCLKO            | O   | Buffered Clock Output. Output frequency is 256, 384, 512, or 768 $f_S$ and one-half of 256, 384, 512, or 768 $f_S$ . |
| 40  | BCK              | I   | Shift Clock Input for Serial Audio Data <sup>(2)</sup>   |
| 41  | LRCK             | I   | Left and Right Clock Input. This clock is equal to the sampling rate, $f_S$ . <sup>(2)</sup>                         |
| 42  | TEST             | —   | Test Pin. This pin should be connected to DGND. <sup>(1)</sup>   |
| 43  | $V_{DD}$         | —   | Digital Power Supply, +3.3V  |
| 44  | DGND             | —   | Digital Ground for +3.3V   |
| 45  | DATA1            | I   | Serial Audio Data Input for $V_{OUT1}$ and $V_{OUT2}$ <sup>(2)</sup>   |
| 46  | DATA2            | I   | Serial Audio Data Input for $V_{OUT3}$ and $V_{OUT4}$ <sup>(2)</sup>   |
| 47  | DATA3            | I   | Serial Audio Data Input for $V_{OUT5}$ and $V_{OUT6}$ <sup>(2)</sup>   |
| 48  | ZEROA            | I   | Zero Data Flag. Logical "AND" of ZERO1 through ZERO6.  |

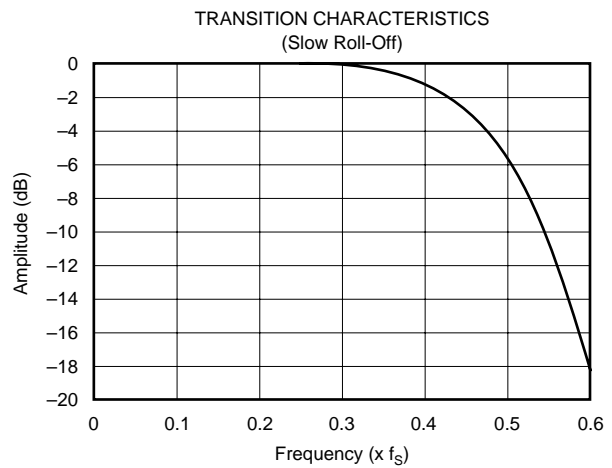
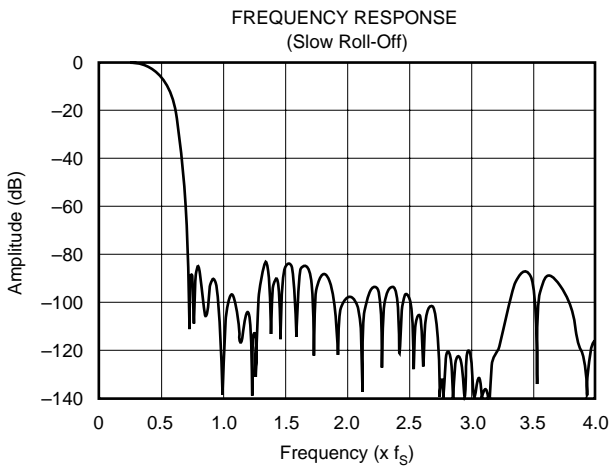
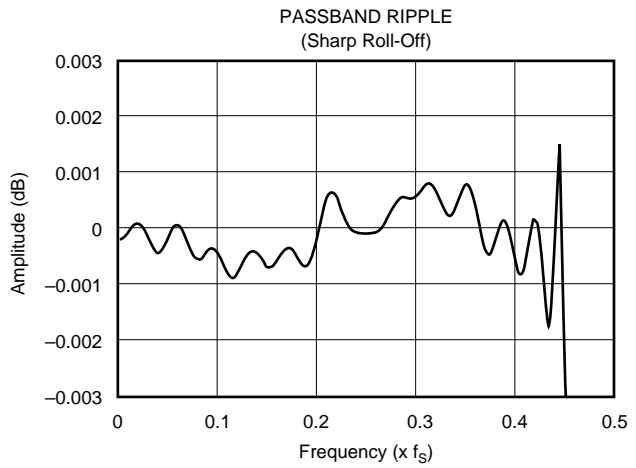
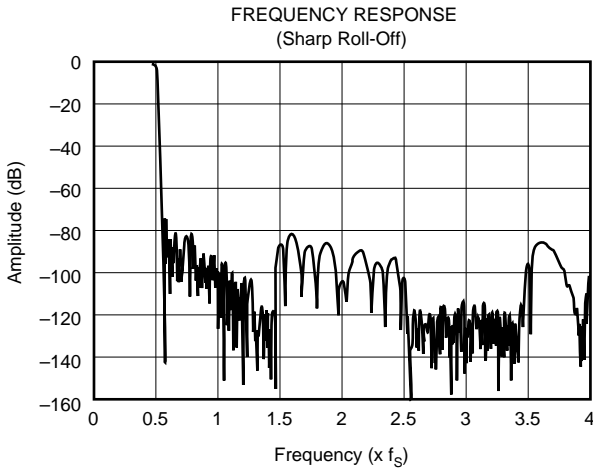
NOTES: (1) Schmitt-Trigger input with internal pull-down, 5V tolerant. (2) Schmitt-Trigger input, 5V tolerant. (3) Tri-state output.

# TYPICAL PERFORMANCE CURVES

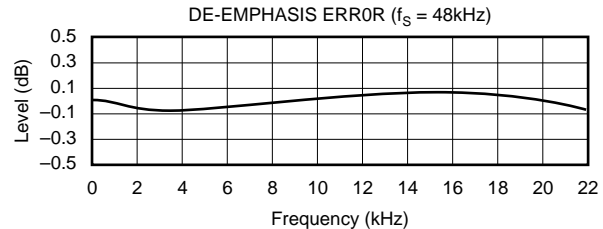
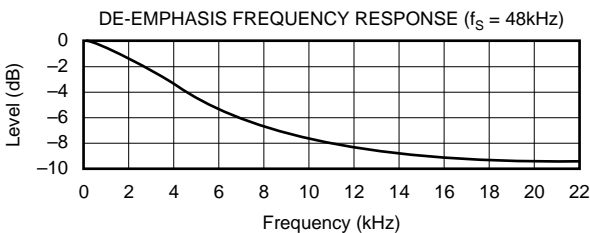
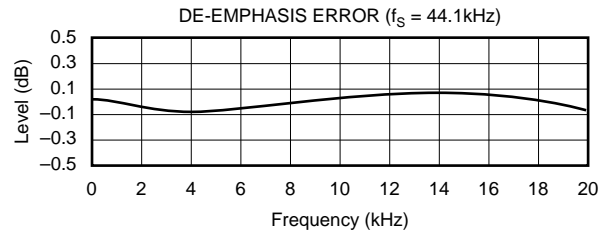
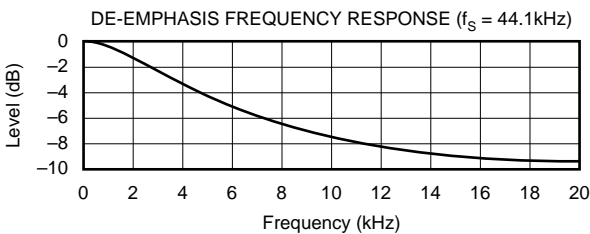
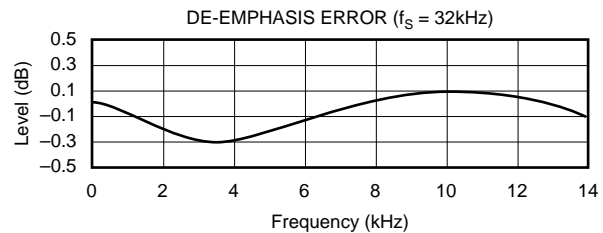
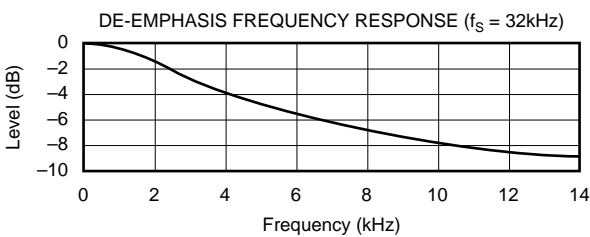
All specifications at +25°C,  $V_{CC} = 5V$ ,  $V_{DD} = 3.3V$ ,  $SYSCLK = 384f_S$  ( $f_S = 44.1kHz$ ), and 24-bit input data, unless otherwise noted.

## DIGITAL FILTER

### Digital Filter (De-Emphasis Off, $f_S = 44.1kHz$ )



### De-Emphasis Error

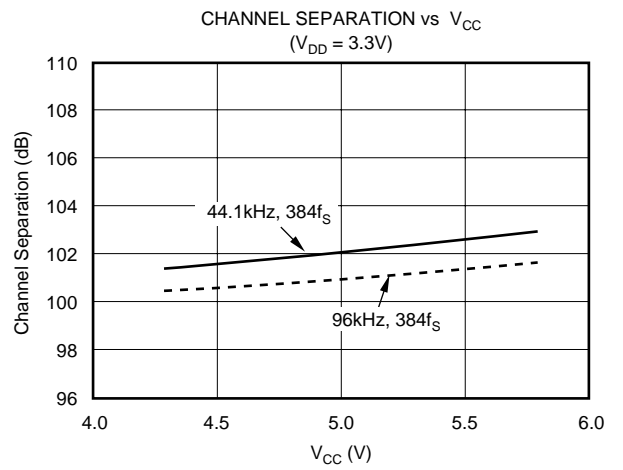
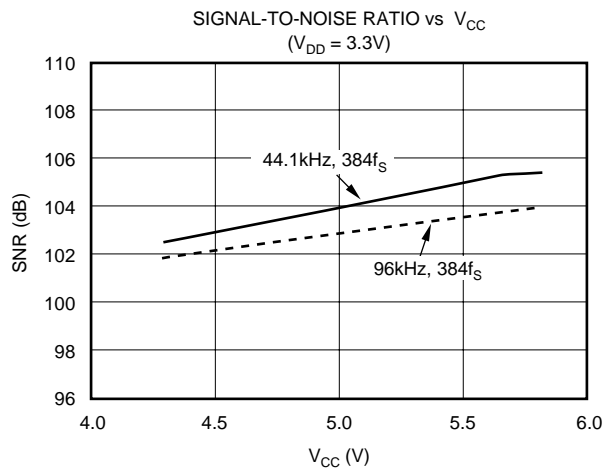
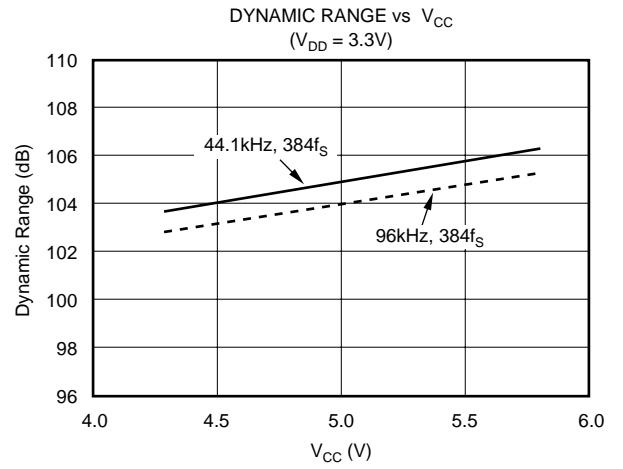
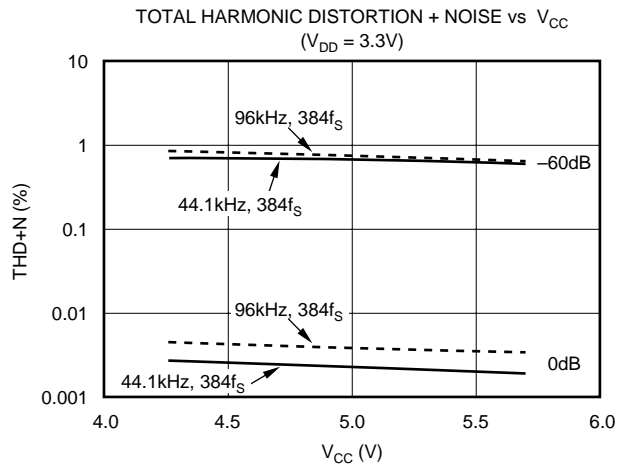


# TYPICAL PERFORMANCE CURVES (Cont.)

All specifications at +25°C,  $V_{CC} = 5V$ ,  $V_{DD} = 3.3V$ ,  $SYSCLK = 384f_S$  ( $f_S = 44.1kHz$ ), and 24-bit input data, unless otherwise noted.

## ANALOG DYNAMIC PERFORMANCE

### Supply Voltage Characteristics

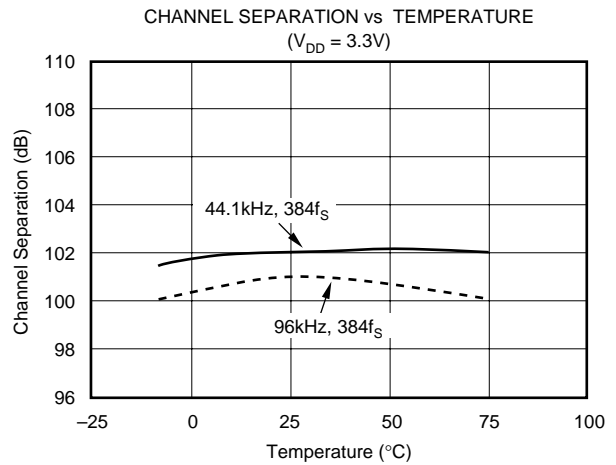
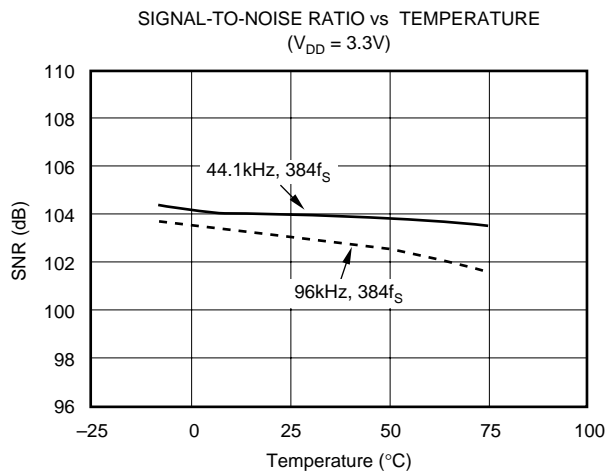
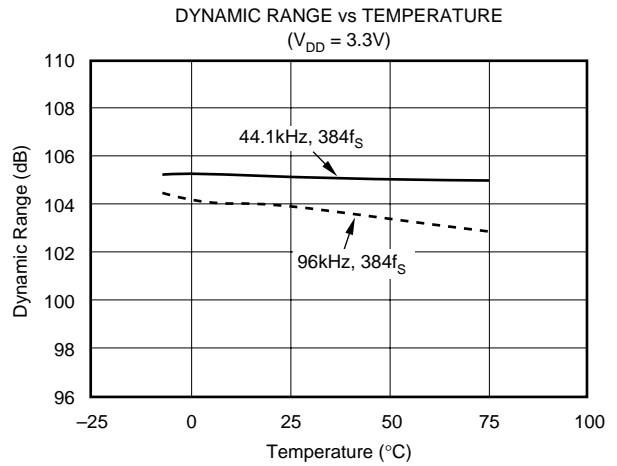
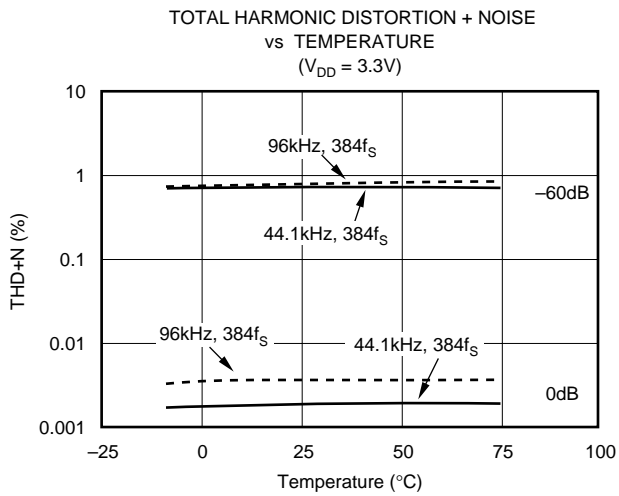


# TYPICAL PERFORMANCE CURVES (Cont.)

All specifications at +25°C,  $V_{CC} = 5V$ ,  $V_{DD} = 3.3V$ ,  $SYSCLK = 384f_S$  ( $f_S = 44.1kHz$ ), and 24-bit input data, unless otherwise noted.

## ANALOG DYNAMIC PERFORMANCE (con.t)

### Temperature Characteristics





# SYSTEM CLOCK AND RESET FUNCTIONS

## SYSTEM CLOCK INPUT

The PCM1600 and PCM1601 require a system clock for operating the digital interpolation filters and multi-level delta-sigma modulators. The system clock is applied at the SCLKI input (pin 38). For sampling rates from 10kHz through 64kHz, the system clock frequency may be 256, 384, 512, or 768 times the sampling frequency,  $f_s$ . For sampling rates above 64kHz, the system clock frequency may be 256, 384, or 512 times the sampling frequency. Table I shows examples of system clock frequencies for common audio sampling rates.

Figure 1 shows the timing requirements for the system clock input. For optimal performance, it is important to use a clock source with low phase jitter and noise. Burr-Brown's PLL1700 multi-clock generator is an excellent choice for providing the PCM1600 system clock source.

| SAMPLING FREQUENCY ( $f_s$ ) | SYSTEM CLOCK FREQUENCY (MHz)<br>SCLKI (Pin 38) |          |          |            |
|------------------------------|--|----------|----------|------------|
|                              | $256f_s$                                       | $384f_s$ | $512f_s$ | $768f_s$   |
| 22.05kHz                     | 5.6448   | 8.4670   | 11.2896  | 16.9340    |
| 24kHz                        | 6.1440   | 9.2160   | 12.2880  | 18.4320    |
| 32kHz                        | 8.1920   | 12.2880  | 16.3840  | 24.5760    |
| 44.1kHz                      | 11.2896  | 16.9340  | 22.5792  | 33.8688    |
| 48kHz                        | 12.2880  | 18.4320  | 24.5760  | 36.8640    |
| 64kHz                        | 16.3840  | 24.5760  | 32.7680  | 49.1520    |
| 88.2kHz                      | 22.5792  | 33.8688  | 45.1584  | See Note 1 |
| 96kHz                        | 24.5760  | 36.8640  | 49.1520  | See Note 1 |

NOTE: (1) The  $768f_s$  system clock rate is not supported for  $f_s > 64$ kHz.

TABLE I. System Clock Rates for Common Audio Sampling Frequencies.

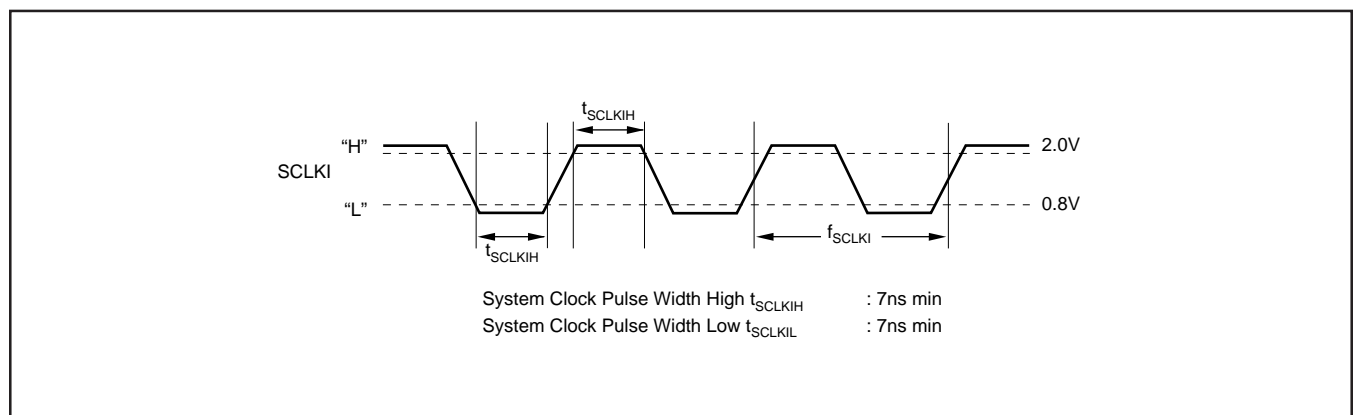


FIGURE 1. System Clock Input Timing.

## SYSTEM CLOCK OUTPUT

A buffered version of the system clock input is available at the SCLKO output (pin 39). SCLKO can operate at either full ( $f_{SCLKI}$ ) or half ( $f_{SCLKI}/2$ ) rate. The SCLKO output frequency may be programmed using the CLKD bit of Control Register 9. The SCLKO output pin can also be enabled or disabled using the CLKE bit of Control Register 9. The default is SCLKO enabled.

## POWER-ON AND EXTERNAL RESET FUNCTIONS

The PCM1600 includes a power-on reset function. Figure 2 shows the operation of this function.

The system clock input at SCLKI should be active for at least one clock period prior to  $V_{DD} = 2.0V$ . With the system clock active and  $V_{DD} > 2.0V$ , the power-on reset function will be enabled. The initialization sequence requires 1024 system clocks from the time  $V_{DD} > 2.0V$ . After the initialization period, the PCM1600 will be set to its reset default state, as described in the Mode Control Register section of this data sheet.

The PCM1600 also includes an external reset capability using the  $\overline{RST}$  input (pin 37). This allows an external controller or master reset circuit to force the PCM1600 to initialize to its reset default state. For normal operation,  $\overline{RST}$  should be set to a logic '1'.

Figure 3 shows the external reset operation and timing. The  $\overline{RST}$  pin is set to logic '0' for a minimum of 20ns. The  $\overline{RST}$  pin is then set to a logic '1' state, which starts the initialization sequence, which lasts for 1024 system clock periods. After the initialization sequence is completed, the PCM1600 will be set to its reset default state, as described in the Mode Control Registers section of this data sheet.

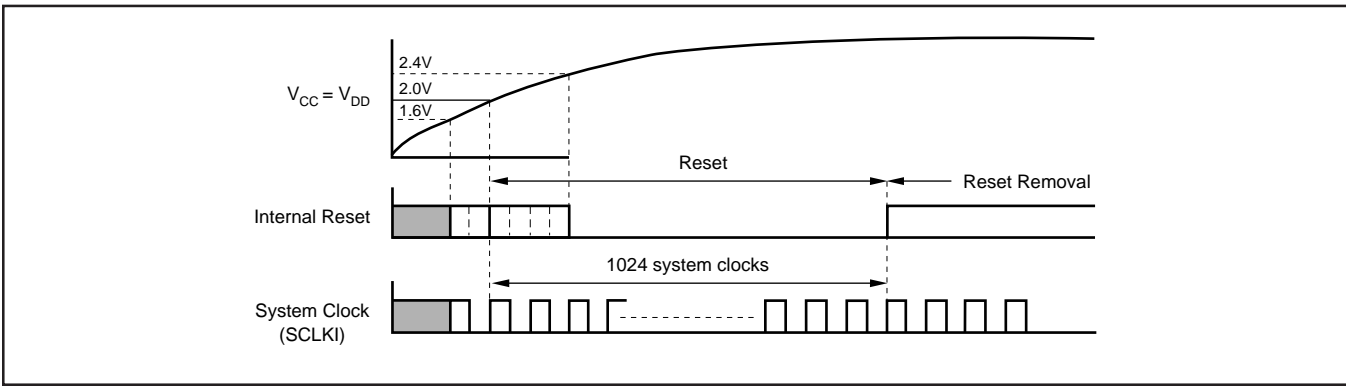


FIGURE 2. Power-On Reset Timing.

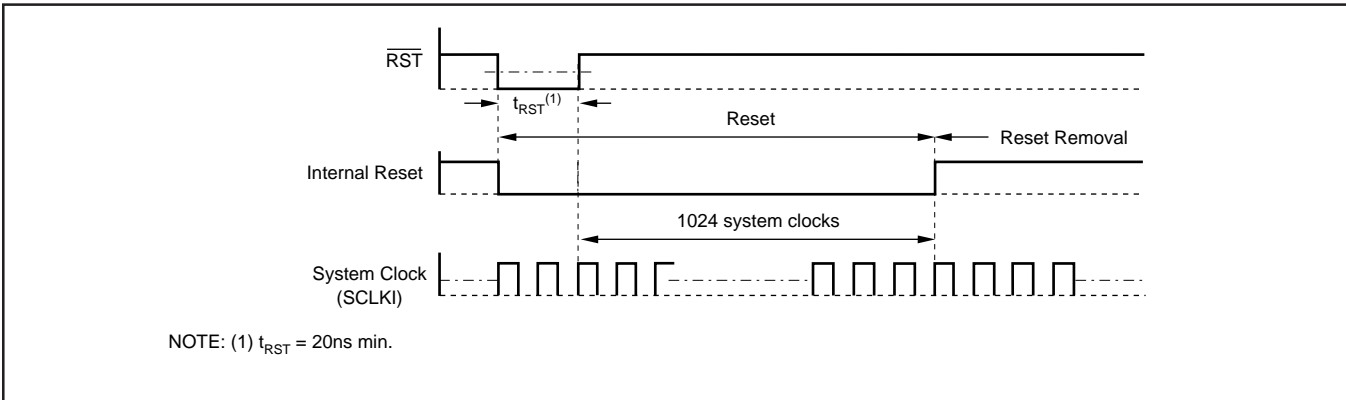


FIGURE 3. External Reset Timing.

The external reset is especially useful in applications where there is a delay between PCM1600 power up and system clock activation. In this case, the  $\overline{\text{RST}}$  pin should be held at a logic '0' level until the system clock has been activated.

## AUDIO SERIAL INTERFACE

The audio serial interface for the PCM1600 is comprised of a 5-wire synchronous serial port. It includes LRCK (pin 41), BCK (pin 40), DATA1 (pin 45), DATA2 (pin 46) and DATA3 (pin 47). BCK is the serial audio bit clock, and is used to clock the serial data present on DATA1, DATA2 and DATA3 into the audio interface's serial shift registers. Serial data is clocked into the PCM1600 on the rising edge of BCK. LRCK is the serial audio left/right word clock. It is used to latch serial data into the serial audio interface's internal registers.

Both LRCK and BCK must be synchronous to the system clock. Ideally, it is recommended that LRCK and BCK be derived from the system clock input or output, SCLKI or SCLKO. The left/right clock, LRCK, is operated at the sampling frequency ( $f_s$ ). The bit clock, BCK, may be operated at 48 or 64 times the sampling frequency.

## AUDIO DATA FORMATS AND TIMING

The PCM1600 supports industry-standard audio data formats, including Standard, I<sup>2</sup>S, and Left-Justified. The data formats are shown in Figure 4. Data formats are selected using the format bits, FMT[2:0], in Control Register 9. The

default data format is 24-bit Standard. All formats require Binary Two's Complement, MSB-first audio data. Figure 5 shows a detailed timing diagram for the serial audio interface.

DATA1, DATA2 and DATA3 each carry two audio channels, designated as the Left and Right channels. The Left channel data always precedes the Right channel data in the serial data stream for all data formats. Table II shows the mapping of the digital input data to the analog output pins.

| DATA INPUT | CHANNEL | ANALOG OUTPUT     |
|------------|---------|-------------------|
| DATA1      | Left    | V <sub>OUT1</sub> |
| DATA1      | Right   | V <sub>OUT2</sub> |
| DATA2      | Left    | V <sub>OUT3</sub> |
| DATA2      | Right   | V <sub>OUT4</sub> |
| DATA3      | Left    | V <sub>OUT5</sub> |
| DATA3      | Right   | V <sub>OUT6</sub> |

TABLE II. Audio Input Data to Analog Output Mapping.

## SERIAL CONTROL INTERFACE

The serial control interface is a 4-wire synchronous serial port which operates asynchronously to the serial audio interface. The serial control interface is utilized to program and read the on-chip mode registers. The control interface includes MDO (pin 33), MDI (pin 34), MC (pin 35), and ML (pin 36). MDO is the serial data output, used to read back the values of the mode registers; MDI is the serial data input, used to program the mode registers; MC is the serial bit clock, used to shift data in and out of the control port and ML is the control port latch clock.

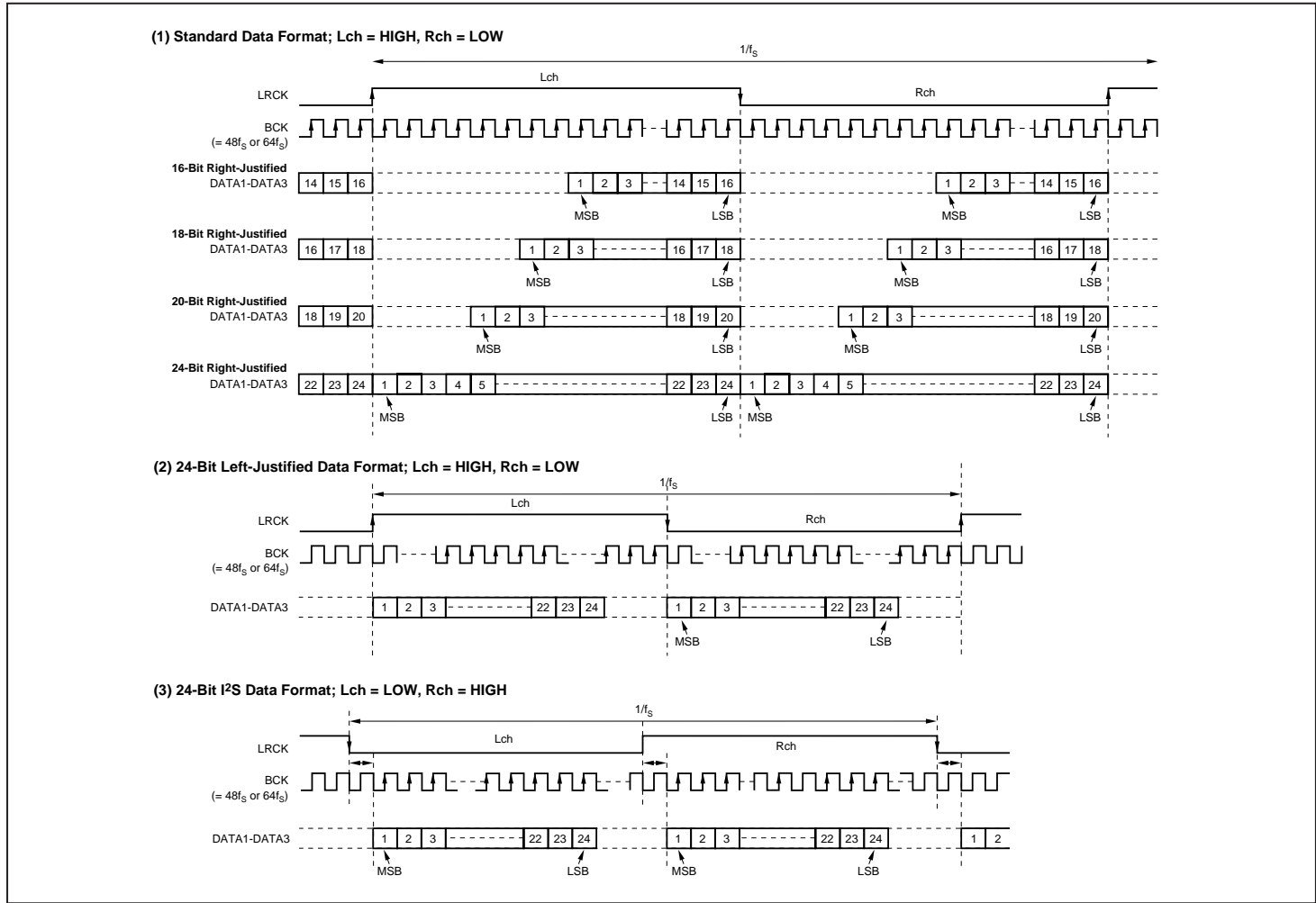


FIGURE 4. Audio Data Input Formats.

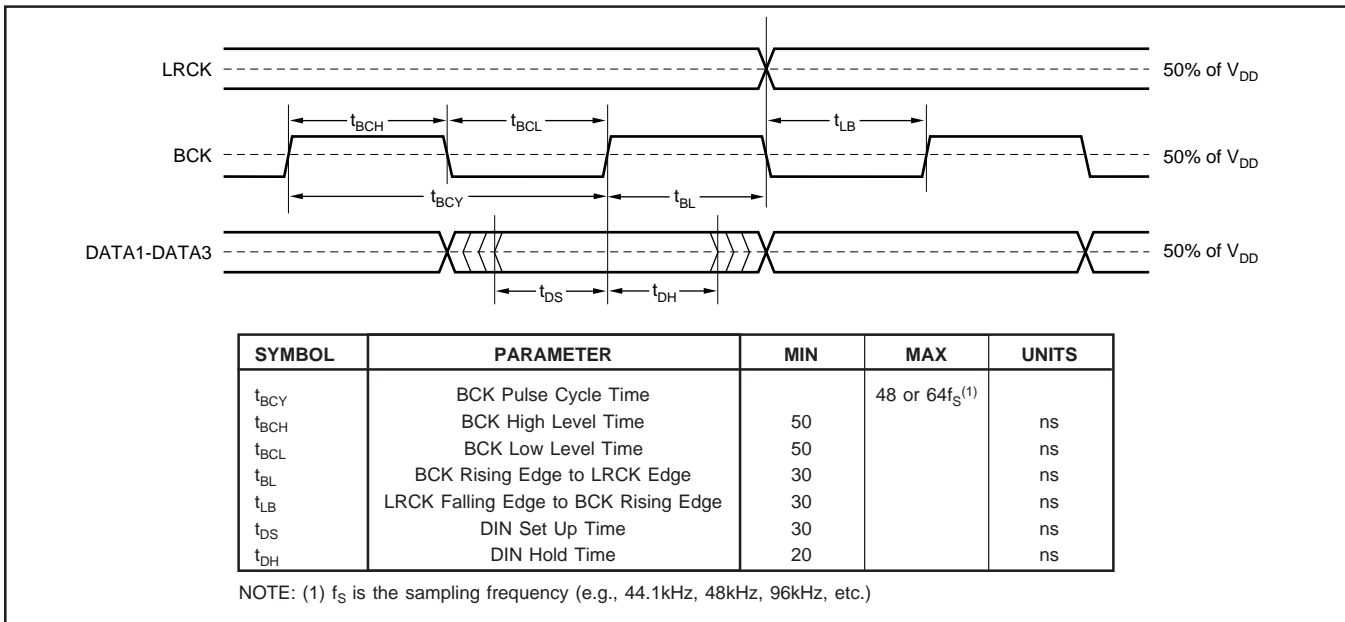


FIGURE 5. Audio Interface Timing.

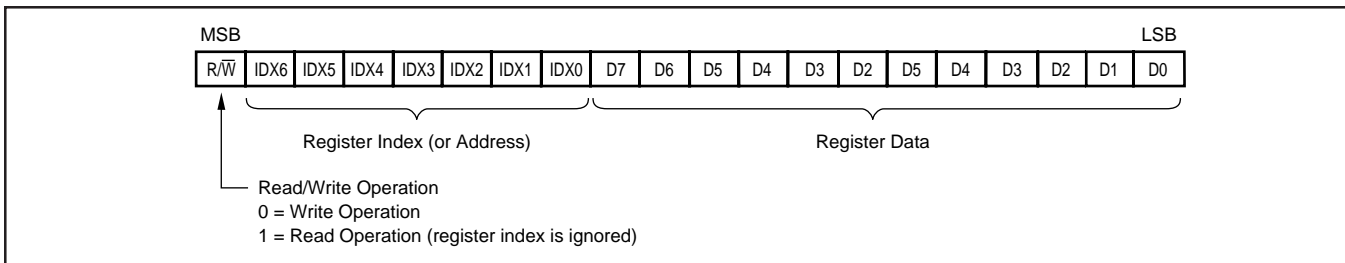


FIGURE 6. Control Data Word Format for MDI.

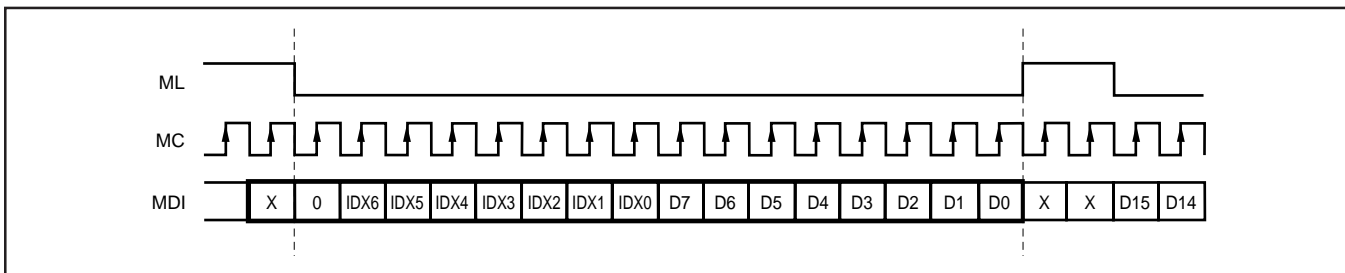


FIGURE 7. Write Operation Timing.

### REGISTER WRITE OPERATION

All Write operations for the serial control port use 16-bit data words. Figure 6 shows the control data word format. The most significant bit is the Read/Write (R/W) bit. When set to '0', this bit indicates a Write operation. There are seven bits, labeled  $IDX[6:0]$ , that set the register index (or address) for the Write operation. The least significant eight bits,  $D[7:0]$ , contain the data to be written to the register specified by  $IDX[6:0]$ .

Figure 7 shows the functional timing diagram for writing the serial control port. ML is held at a logic '1' state until a register needs to be written. To start the register write cycle, ML is set to logic '0'. Sixteen clocks are then provided on MC, corresponding to the 16-bits of the control data word on MDI. After the sixteenth clock cycle has completed, ML is set to logic '1' to latch the data into the indexed mode control register.

### SINGLE REGISTER READ OPERATION

Read operations utilize the 16-bit control word format shown in Figure 6. For Read operations, the Read/Write (R/W) bit is set to '1'. Read operations ignore the index bits,  $IDX[6:0]$ , of the control data word. Instead, the  $REG[6:0]$  bits in Control Register 11 are used to set the index of the register that is to be read during the Read operation. Bits  $IDX[6:0]$  should be set to  $00_H$  for Read operations.

Figure 8 details the Read operation. First, Control Register 11 must be written with the index of the register to be read back. Additionally, the INC bit must be set to logic '0' in order to disable the Auto-Increment Read function. The Read cycle is then initiated by setting ML to logic '0' and setting the R/W bit of the control data word to logic '1', indicating a Read operation. MDO remains at a high-impedance state until the last 8 bits of the 16-bit read cycle, which

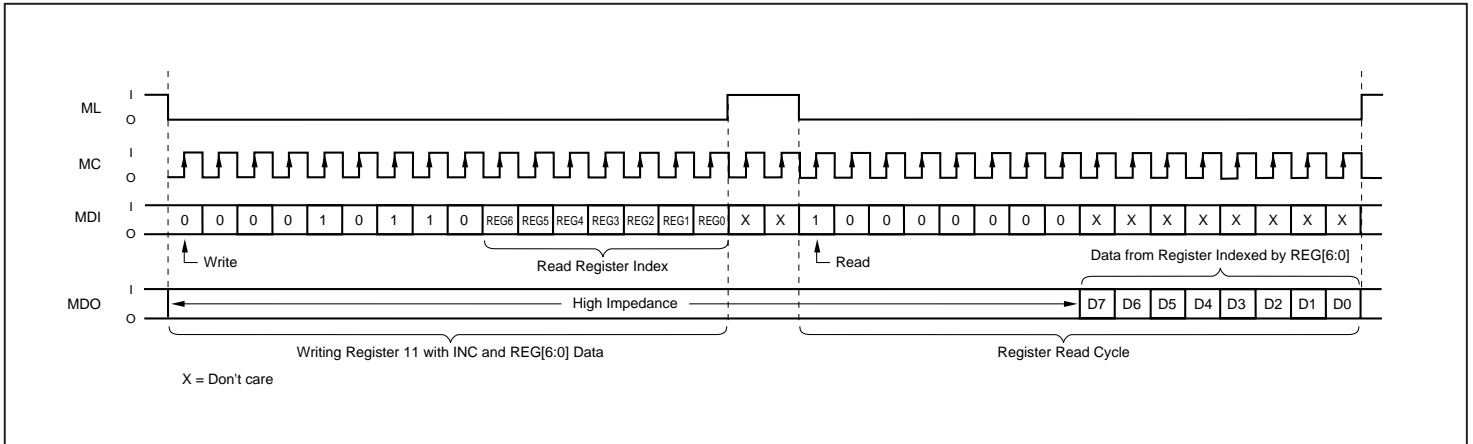


FIGURE 8. Read Operation Timing with INC = 0 (Single Register Read).

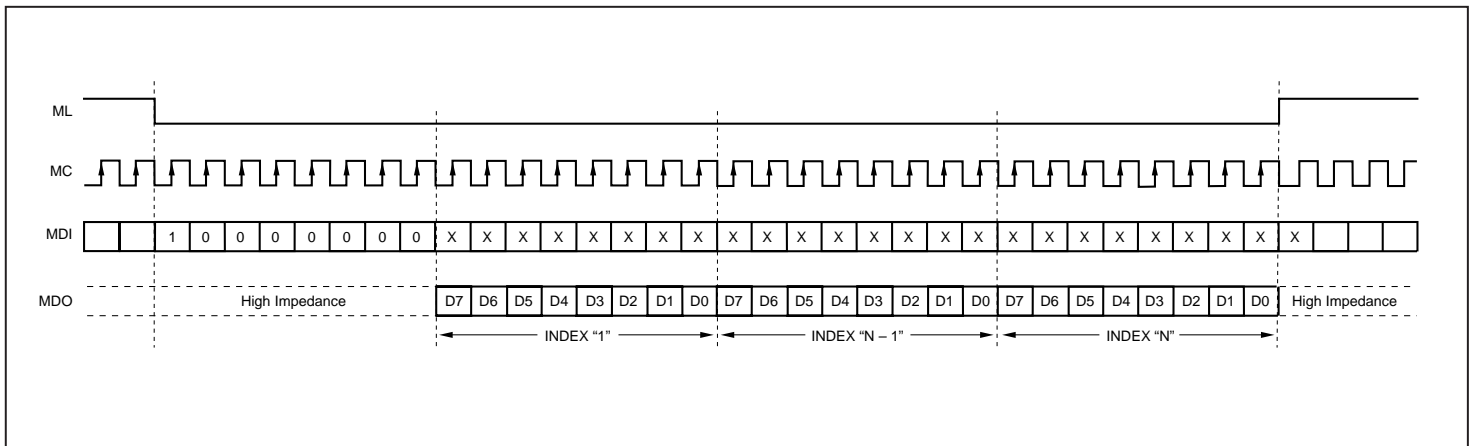


FIGURE 9. Read Operation Timing with INC = 1 (Auto-Increment Read).

corresponds to the 8 data bits of the register indexed by the REG[6:0] bits of Control Register 11. The Read cycle is completed when ML is set to '1', immediately after the MC clock cycle for the least significant bit of indexed control register has completed.

### AUTO-INCREMENT READ OPERATION

The Auto-Increment Read function allows for multiple registers to be read sequentially. The Auto-Increment Read function is enabled by setting the INC bit of Control Register 11 to '1'. The sequence always starts with Register 1, and ends with the register indexed by the REG[6:0] bits in Control Register 11.

Figure 9 shows the timing for the Auto-Increment Read operation. The operation begins by writing Control Register 11, setting INC to '1' and setting REG[6:0] to the last register to be read in the sequence. The actual Read operation starts on the next HIGH to LOW transition of the ML

pin. The Read cycle starts by setting the R/W bit of the control word to '1', and setting all of the IDX[6:0] bits to '0.'. All subsequent bits input on the MDI are ignored while ML is set to '0.'. For the first 8 clocks of the Read cycle, MDO is set to a high-impedance state. This is followed by a sequence of 8-bit words, each corresponding the data contained in Control Registers 1 through N, where N is defined by the REG[6:0] bits in Control Register 11. The Read cycle is completed when ML is set to '1', immediately after the MC clock cycle for the least significant bit of Control Register N has completed.

### CONTROL INTERFACE TIMING REQUIREMENTS

Figure 10 shows a detailed timing diagram for the Serial Control interface. Pay special attention to the setup and hold times, as well as  $t_{MLS}$  and  $t_{MLH}$ , which define minimum delays between edges of the ML and MC clocks. These timing parameters are critical for proper control port operation.

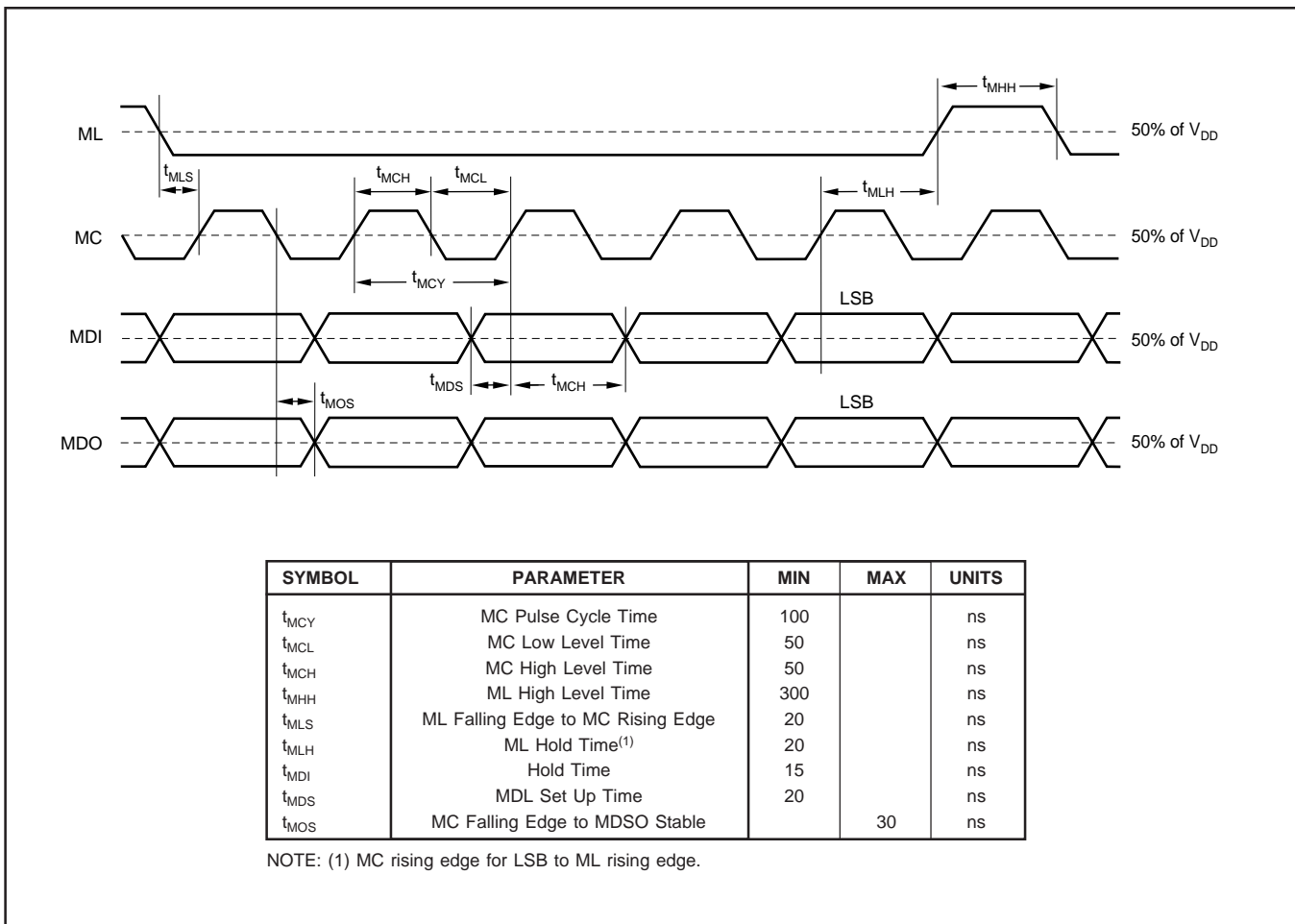


FIGURE 10. Control Interface Timing.

## MODE CONTROL REGISTERS

### User-Programmable Mode Controls

The PCM1600 includes a number of user-programmable functions which are accessed via control registers. The registers are programmed using the Serial Control Interface which was previously discussed in this data sheet. Table III lists the available mode control functions, along with their reset default conditions and associated register index.

### Register Map

The mode control register map is shown in Table IV. Each register includes a R/W bit, which determines whether a register read (R/W = 1) or write (R/W = 0) operation is performed. Each register also includes an index (or address) indicated by the IDX[6:0] bits.

### Reserved Registers

Registers 0 and 12 are reserved for factory use. To ensure proper operation, the user should not write or read these registers.

| FUNCTION   | RESET DEFAULT                           | CONTROL REGISTER | INDEX, IDX[6:0]                   |
|--|---|------------------|-----------------------------------|
| Digital Attenuation Control, 0dB to -63dB in 0.5dB Steps | 0dB, No Attenuation                     | 1 through 6      | 01 <sub>H</sub> - 07 <sub>H</sub> |
| Digital Attenuation Load Control                         | Data Load Disabled                      | 7                | 07 <sub>H</sub>                   |
| Digital Attenuation Rate Select                          | 2/ <i>f<sub>S</sub></i>                 | 7                | 07 <sub>H</sub>                   |
| Soft Mute Control  | Mute Disabled                           | 7                | 07 <sub>H</sub>                   |
| DAC 1-6 Operation Control                                | DAC 1-6 Enabled                         | 8                | 08 <sub>H</sub>                   |
| Infinite Zero Detect Mute                                | Disabled                                | 8                | 08 <sub>H</sub>                   |
| Audio Data Format Control                                | 24-Bit Standard Format                  | 9                | 09 <sub>H</sub>                   |
| Digital Filter Roll-Off Control                          | Sharp Roll-Off                          | 9                | 09 <sub>H</sub>                   |
| SCLKO Frequency Selection                                | Full Rate (= <i>f<sub>SCLKI</sub></i> ) | 9                | 09 <sub>H</sub>                   |
| SCLKO Output Enable                                      | SCLKO Enabled                           | 9                | 09 <sub>H</sub>                   |
| De-Emphasis Function Control                             | De-Emphasis Disabled                    | 10               | 0A <sub>H</sub>                   |
| De-Emphasis Sample Rate Selection                        | 44.1kHz                                 | 10               | 0A <sub>H</sub>                   |
| Read Register Index Control                              | REG[6:0] = 01 <sub>H</sub>              | 11               | 0B <sub>H</sub>                   |
| Read Auto-Increment Control                              | Auto-Increment Disabled                 | 11               | 0B <sub>H</sub>                   |

TABLE III. User-Programmable Mode Controls.

|             | B15 | B14  | B13  | B12  | B11  | B10  | B9   | B8   | B7   | B6   | B5   | B4   | B3   | B2   | B1   | B0   |
|-------------|-----|------|------|------|------|------|------|------|------|------|------|------|------|------|------|------|
| Register 0  | R/W | IDX6 | IDX5 | IDX4 | IDX3 | IDX2 | IDX1 | IDX0 | N/A  | N/A  | N/A  | N/A  | N/A  | N/A  | N/A  | N/A  |
| Register 1  | R/W | IDX6 | IDX5 | IDX4 | IDX3 | IDX2 | IDX1 | IDX0 | AT17 | AT16 | AT15 | AT14 | AT13 | AT12 | AT11 | AT10 |
| Register 2  | R/W | IDX6 | IDX5 | IDX4 | IDX3 | IDX2 | IDX1 | IDX0 | AT27 | AT26 | AT25 | AT24 | AT23 | AT22 | AT21 | AT20 |
| Register 3  | R/W | IDX6 | IDX5 | IDX4 | IDX3 | IDX2 | IDX1 | IDX0 | AT37 | AT36 | AT35 | AT34 | AT33 | AT32 | AT31 | AT30 |
| Register 4  | R/W | IDX6 | IDX5 | IDX4 | IDX3 | IDX2 | IDX1 | IDX0 | AT47 | AT46 | AT45 | AT44 | AT43 | AT42 | AT41 | AT40 |
| Register 5  | R/W | IDX6 | IDX5 | IDX4 | IDX3 | IDX2 | IDX1 | IDX0 | AT57 | AT56 | AT55 | AT54 | AT53 | AT52 | AT51 | AT50 |
| Register 6  | R/W | IDX6 | IDX5 | IDX4 | IDX3 | IDX2 | IDX1 | IDX0 | AT67 | AT66 | AT65 | AT64 | AT63 | AT62 | AT61 | AT60 |
| Register 7  | R/W | IDX6 | IDX5 | IDX4 | IDX3 | IDX2 | IDX1 | IDX0 | ATLD | ATTS | MUT6 | MUT5 | MUT4 | MUT3 | MUT2 | MUT1 |
| Register 8  | R/W | IDX6 | IDX5 | IDX4 | IDX3 | IDX2 | IDX1 | IDX0 | res  | INZD | DAC6 | DAC5 | DAC4 | DAC3 | DAC2 | DAC1 |
| Register 9  | R/W | IDX6 | IDX5 | IDX4 | IDX3 | IDX2 | IDX1 | IDX0 | res  | res  | FLT0 | CLKD | CLKE | FMT2 | FMT1 | FMT0 |
| Register 10 | R/W | IDX6 | IDX5 | IDX4 | IDX3 | IDX2 | IDX1 | IDX0 | res  | res  | res  | DMF1 | DMF0 | DM56 | DM34 | DM12 |
| Register 11 | R/W | IDX6 | IDX5 | IDX4 | IDX3 | IDX2 | IDX1 | IDX0 | INC  | REG6 | REG5 | REG4 | REG3 | REG2 | REG1 | REG0 |
| Register 12 | R/W | IDX6 | IDX5 | IDX4 | IDX3 | IDX2 | IDX1 | IDX0 | N/A  | N/A  | N/A  | N/A  | N/A  | N/A  | N/A  | N/A  |

TABLE IV. Mode Control Register Map.

## REGISTER DEFINITIONS

|            | B15 | B14  | B13  | B12  | B11  | B10  | B9   | B8   | B7   | B6   | B5   | B4   | B3   | B2   | B1   | B0   |
|------------|-----|------|------|------|------|------|------|------|------|------|------|------|------|------|------|------|
| Register 1 | R/W | IDX6 | IDX5 | IDX4 | IDX3 | IDX2 | IDX1 | IDX0 | AT17 | AT16 | AT15 | AT14 | AT13 | AT12 | AT11 | AT10 |
| Register 2 | R/W | IDX6 | IDX5 | IDX4 | IDX3 | IDX2 | IDX1 | IDX0 | AT27 | AT26 | AT25 | AT24 | AT23 | AT22 | AT21 | AT20 |
| Register 3 | R/W | IDX6 | IDX5 | IDX4 | IDX3 | IDX2 | IDX1 | IDX0 | AT37 | AT36 | AT35 | AT34 | AT33 | AT32 | AT31 | AT30 |
| Register 4 | R/W | IDX6 | IDX5 | IDX4 | IDX3 | IDX2 | IDX1 | IDX0 | AT47 | AT46 | AT45 | AT44 | AT43 | AT42 | AT41 | AT40 |
| Register 5 | R/W | IDX6 | IDX5 | IDX4 | IDX3 | IDX2 | IDX1 | IDX0 | AT57 | AT56 | AT55 | AT54 | AT53 | AT52 | AT51 | AT50 |
| Register 6 | R/W | IDX6 | IDX5 | IDX4 | IDX3 | IDX2 | IDX1 | IDX0 | AT67 | AT66 | AT65 | AT64 | AT63 | AT62 | AT61 | AT60 |

### R/W Read/Write Mode Select

When R/W = 0, a Write operation is performed.

When R/W = 1, a Read operation is performed.

Default Value: 0

### ATx[7:0] Digital Attenuation Level Setting

where x = 1-6, corresponding to the DAC output  $V_{OUTx}$ .

These bits are Read/Write.

Default Value: 1111 1111<sub>B</sub>

Each DAC output,  $V_{OUT1}$  through  $V_{OUT6}$ , has a digital attenuator associated with it. The attenuator may be set from 0dB to -63dB, in 0.5dB steps. Alternatively, the attenuator may be set to infinite attenuation (or mute).

The attenuation data for each channel can be set individually. However, the data load control (ATLD bit of Control Register 7) is common to all six attenuators. ATLD must be set to '1' in order to change an attenuator's setting. The attenuation level may be set using the formula below.

$$\text{Attenuation Level (dB)} = 0.5 (\text{AT x [7:0]}_{\text{DEC}} - 255)$$

where: AT x [7:0]<sub>DEC</sub> = 0 through 255

for: AT x [7:0]<sub>DEC</sub> = 0 through 128, the attenuator is set to infinite attenuation.

The following table shows attenuator levels for various settings.

| ATx[7:0]               | Decimal Value | Attenuator Level Setting      |
|------------------------|---------------|-------------------------------|
| 1111 1111 <sub>B</sub> | 255           | 0dB, No Attenuation (default) |
| 1111 1110 <sub>B</sub> | 254           | -0.5dB                        |
| 1111 1101 <sub>B</sub> | 253           | -1.0dB                        |
| •                      | •             | •                             |
| •                      | •             | •                             |
| •                      | •             | •                             |
| 1000 0010 <sub>B</sub> | 130           | -62.5dB                       |
| 1000 0001 <sub>B</sub> | 129           | -63.0dB                       |
| 1000 0000 <sub>B</sub> | 128           | Mute                          |
| •                      | •             | •                             |
| •                      | •             | •                             |
| •                      | •             | •                             |
| 0000 0000 <sub>B</sub> | 0             | Mute                          |



|            | B15 | B14  | B13  | B12  | B11  | B10  | B9   | B8   | B7   | B6   | B5   | B4   | B3   | B2   | B1   | B0   |
|------------|-----|------|------|------|------|------|------|------|------|------|------|------|------|------|------|------|
| Register 7 | R/W | IDX6 | IDX5 | IDX4 | IDX3 | IDX2 | IDX1 | IDX0 | ATLD | ATTS | MUT6 | MUT5 | MUT4 | MUT3 | MUT2 | MUT1 |

### R/W Read/Write Mode Select

When R/W = 0, a Write operation is performed.

When R/W = 1, a Read operation is performed.

Default Value: 0

### ATLD Attenuation Control

This bit is Read/Write.

Default Value: 0

|          |  |
|----------|--|
| ATLD = 0 | Attenuation Control Disabled (default) |
| ATLD = 1 | Attenuation Control Enabled            |

The ATLD bit must be set to logic “1” in order for the attenuators to function. Setting ATLD to logic “0” will disable the attenuator function and cause the current attenuator data to be lost.

Set ATLD = 1 immediately after reset.

### ATTS Attenuation Rate Select

This bit is Read/Write.

Default Value: 0

|          |                                       |
|----------|---------------------------------------|
| ATTS = 0 | Attenuation rate is $2/f_s$ (default) |
| ATTS = 1 | Attenuation rate is $4/f_s$           |

Changes in attenuator levels are made by incrementing or decrementing the attenuator by one step (0.5dB) for every  $2/f_s$  or  $4/f_s$  time interval until the programmed attenuator setting is reached. This helps to minimize audible ‘clicking’, or zipper noise, while the attenuator is changing levels. The ATTS bit allows you to select the rate at which the attenuator is decremented/incremented during level transitions.

### MUTx Soft Mute Control

where  $x = 1-6$ , corresponding to the DAC output  $V_{OUTx}$ .

These bits are Read/Write.

Default Value: 0

|          |                         |
|----------|-------------------------|
| MUTx = 0 | Mute Disabled (default) |
| MUTx = 1 | Mute Enabled            |

The mute bits, MUT1 through MUT6, are used to enable or disable the Soft Mute function for the corresponding DAC outputs,  $V_{OUT1}$  through  $V_{OUT6}$ . The Soft Mute function is incorporated into the digital attenuators. When Mute is disabled ( $MUTx = 0$ ), the attenuator and DAC operate normally. When Mute is enabled by setting  $MUTx = 1$ , the digital attenuator for the corresponding output will be decremented from the current setting to the infinite attenuation setting one attenuator step (0.5dB) at a time, with the rate of change programmed by the ATTS bit. This provides a quiet, ‘pop’ free muting of the DAC output. Upon returning from Soft Mute, by setting  $MUTx = 0$ , the attenuator will be incremented one step at a time to the previously programmed attenuator level.

|            |     |      |      |      |      |      |      |      |     |      |      |      |      |      |      |      |
|------------|-----|------|------|------|------|------|------|------|-----|------|------|------|------|------|------|------|
|            | B15 | B14  | B13  | B12  | B11  | B10  | B9   | B8   | B7  | B6   | B5   | B4   | B3   | B2   | B1   | B0   |
| REGISTER 8 | R/W | IDX6 | IDX5 | IDX4 | IDX3 | IDX2 | IDX1 | IDX0 | res | INZD | DAC6 | DAC5 | DAC4 | DAC3 | DAC2 | DAC1 |

**R/W**      **Read/Write Mode Select**

When R/W = 0, a Write operation is performed.  
 When R/W = 1, a Read operation is performed.  
 Default Value: 0

**INZD**      **Infinite Zero Detect Mute Control**

This bit is Read/Write.  
 Default Value: 0

|          |  |
|----------|--|
| INZD = 0 | Infinite Zero Detect Mute Disabled (default) |
| INZD = 1 | Infinite Zero Detect Mute Enabled            |

The INZD bit is used to enable or disable the Zero Detect Mute function described in the Zero Flag and Infinite Zero Detect Mute section in this data sheet. The Zero Detect Mute function is independent of the Zero Flag output operation, so enabling or disabling the INZD bit has no effect on the Zero Flag outputs (ZERO1-ZERO6, ZEROA).

**DACx**      **DAC Operation Control**

where x = 1-6, corresponding to the DAC output  $V_{OUTx}$ .  
 These bits are Read/Write.  
 Default Value: 0

|          |                                 |
|----------|---------------------------------|
| DACx = 0 | DAC Operation Enabled (default) |
| DACx = 1 | DAC Operation Disabled          |

The DAC operation controls are used to enable and disable the DAC outputs,  $V_{OUT1}$  through  $V_{OUT6}$ . When  $DACx = 0$ , the output amplifier input is connected to the DAC output. When  $DACx = 1$ , the output amplifier input is switched to the DC common-mode voltage ( $V_{COM1}$  or  $V_{COM2}$ ), equal to  $V_{CC}/2$ .

|            |     |      |      |      |      |      |      |      |     |     |      |      |      |      |      |      |
|------------|-----|------|------|------|------|------|------|------|-----|-----|------|------|------|------|------|------|
|            | B15 | B14  | B13  | B12  | B11  | B10  | B9   | B8   | B7  | B6  | B5   | B4   | B3   | B2   | B1   | B0   |
| REGISTER 9 | R/W | IDX6 | IDX5 | IDX4 | IDX3 | IDX2 | IDX1 | IDX0 | res | res | FLT0 | CLKD | CLKE | FMT2 | FMT1 | FMT0 |

**R/W Read/Write Mode Select**

When R/W = 0, a Write operation is performed.  
 When R/W = 1, a Read operation is performed.  
 Default Value: 0

**FLT0 Digital Filter Roll-Off Control**

These bits are Read/Write.  
 Default Value: 000<sub>B</sub>

|          |                          |
|----------|--------------------------|
| FLT0 = 0 | Sharp Roll-Off (default) |
| FLT0 = 1 | Slow Roll-Off            |

Bit FLT0 allows the user to select the digital filter roll-off that is best suited to their application. Two filter roll-off sections are available: Sharp or Slow. The filter responses for these selections are shown in the Typical Performance Curves section of this data sheet.

**CLKD SCLKO Frequency Selection**

This bit is Read/Write.  
 Default Value: 0

|          |  |
|----------|--|
| CLKD = 0 | Full Rate, $f_{SCLKO} = f_{SCLKI}$ (default) |
| CLKD = 1 | Half Rate, $f_{SCLKO} = f_{SCLKI}/2$         |

The CLKD bit is used to determine the clock frequency at the system clock output pin, SCLKO.

**CLKE SCLKO Output Enable**

This bit is Read/Write.  
 Default Value: 0

|          |                         |
|----------|-------------------------|
| CLKE = 0 | SCLKO Enabled (default) |
| CLKE = 1 | SCLKO Disabled          |

The CLKE bit is used to enable or disable the system clock output pin, SCLKO. When SCLKO is enabled, it will output either a full or half rate clock, based upon the setting of the CLKD bit. When SCLKO is disabled, it is set to a high impedance state.

**FMT[2:0] Audio Interface Data Format**

These bits are Read/Write.  
 Default Value: 000<sub>B</sub>

| FMT[2:0] | Audio Data Format Selection                            |
|----------|--|
| 000      | 24-Bit Standard Format, Right-Justified Data (default) |
| 001      | 20-Bit Standard Format, Right-Justified Data           |
| 010      | 18-Bit Standard Format, Right-Justified Data           |
| 011      | 16-Bit Standard Format, Right-Justified Data           |
| 100      | I <sup>2</sup> S Format, 16- to 24-bits                |
| 101      | Left-Justified Format, 16- to 24-Bits                  |
| 110      | Reserved   |
| 111      | Reserved   |

The FMT[2:0] bits are used to select the data format for the serial audio interface.

|             |     |      |      |      |      |      |      |      |     |     |     |      |      |      |      |      |
|-------------|-----|------|------|------|------|------|------|------|-----|-----|-----|------|------|------|------|------|
|             | B15 | B14  | B13  | B12  | B11  | B10  | B9   | B8   | B7  | B6  | B5  | B4   | B3   | B2   | B1   | B0   |
| REGISTER 10 | R/W | IDX6 | IDX5 | IDX4 | IDX3 | IDX2 | IDX1 | IDX0 | res | res | res | DMF1 | DMF0 | DM56 | DM34 | DM12 |

**R/W Read/Write Mode Select**

When R/W = 0, a Write operation is performed.  
 When R/W = 1, a Read operation is performed.  
 Default Value: 0

**DMF[1:0] Sampling Frequency Selection for the De-Emphasis Function**

These bits are Read/Write.  
 Default Value: 00<sub>B</sub>

| DMF[1:0] | De-Emphasis Same Rate Selection |
|----------|---------------------------------|
| 00       | 44.1 kHz (default)              |
| 01       | 48 kHz                          |
| 10       | 32 kHz                          |
| 11       | Reserved                        |

The DMF[1:0] bits are used to select the sampling frequency used for the Digital De-Emphasis function when it is enabled. The de-emphasis curves are shown in the Typical Performance Curves section of this data sheet. The table below shows the available sampling frequencies.

**DM12 Digital De-Emphasis Control for Channels 1 and 2**

This bit is Read/Write.  
 Default Value: 0

|          |   |
|----------|---|
| DM12 = 0 | De-Emphasis Disabled for Channels 1 and 2 (default) |
| DM12 = 1 | De-Emphasis Enabled for Channels 1 and 2            |

The DM12 bit is used to enable or disable the De-emphasis function for V<sub>OUT1</sub> and V<sub>OUT2</sub>, which correspond to the Left and Right channels of the DATA1 input.

**DM34 Digital De-Emphasis Control for Channels 3 and 4**

This bit is Read/Write.  
 Default Value: 0

|          |   |
|----------|---|
| DM34 = 0 | De-Emphasis Disabled for Channels 3 and 4 (default) |
| DM34 = 1 | De-Emphasis Enabled for Channels 3 and 4            |

The DM34 bit is used to enable or disable the De-Emphasis function for V<sub>OUT3</sub> and V<sub>OUT4</sub>, which correspond to the Left and Right channels of the DATA2 input.

**DM56 Digital De-Emphasis Control for Channels 5 and 6**

This bit is Read/Write.  
 Default Value: 0

|          |   |
|----------|---|
| DM56 = 0 | De-Emphasis Disabled for Channels 5 and 6 (default) |
| DM56 = 1 | De-Emphasis Enabled for Channels 5 and 6            |

The DM56 bit is used to enable or disable the de-emphasis function for V<sub>OUT5</sub> and V<sub>OUT6</sub>, which correspond to the Left and Right channels of the DATA3 input.

|             |     |      |      |      |      |      |      |      |     |      |      |      |      |      |      |      |
|-------------|-----|------|------|------|------|------|------|------|-----|------|------|------|------|------|------|------|
|             | B15 | B14  | B13  | B12  | B11  | B10  | B9   | B8   | B7  | B6   | B5   | B4   | B3   | B2   | B1   | B0   |
| REGISTER 11 | R/W | IDX6 | IDX5 | IDX4 | IDX3 | IDX2 | IDX1 | IDX0 | INC | REG6 | REG5 | REG4 | REG3 | REG2 | REG1 | REG0 |

**R/W Read/Write Mode Select**

When R/W = 0, a Write operation is performed.  
 When R/W = 1, a Read operation is performed.  
 Default Value: 0

**INC Auto-Increment Read Control**

This bit is Read/Write.  
 Default Value: 0

|         |  |
|---------|--|
| INC = 0 | Auto-Increment Read Disabled (default) |
| INC = 1 | Auto-Increment Read Enabled            |

The INC bit is used to enable or disable the Auto-Increment Read feature of the Serial Control Interface. Refer to the Serial Control Interface section of this data sheet for details regarding Auto-Increment Read operation.

**REG[6:0] Read Register Index**

These bits are Read/Write.  
 Default Value: 01<sub>H</sub>

Bits REG[6:0] are used to set the index of the register to be read when performing a Single Register Read operation. In the case of an Auto-Increment Read operation, bits REG[6:0] indicate the index of the last register to be read in the in the Auto-Increment Read sequence. For example, if Registers 1 through 6 are to be read during an Auto-Increment Read operation, bits REG[6:0] would be set to 06<sub>H</sub>.

Refer to the Serial Control Interface section of this data sheet for details regarding the Single Register and Auto-Increment Read operations.

## ANALOG OUTPUTS

The PCM1600 includes six independent output channels,  $V_{OUT1}$  through  $V_{OUT6}$ . These are unbalanced outputs, each capable of driving 3.1Vp-p typical into a 5k $\Omega$  AC load with  $V_{CC} = +5V$ . The internal output amplifiers for  $V_{OUT1}$  through  $V_{OUT6}$  are DC biased to the common-mode (or bipolar zero) voltage, equal to  $V_{CC}/2$ .

The output amplifiers include a RC continuous-time filter, which helps to reduce the out-of-band noise energy present at the DAC outputs due to the noise shaping characteristics of the PCM1600's delta-sigma D/A converters. The frequency response of this filter is shown in Figure 11. By itself, this filter is not enough to attenuate the out-of-band noise to an acceptable level for most applications. An external low-pass filter is required to provide sufficient out-of-band noise rejection. Further discussion of DAC post-filter circuits is provided in the Applications Information section of this data sheet.

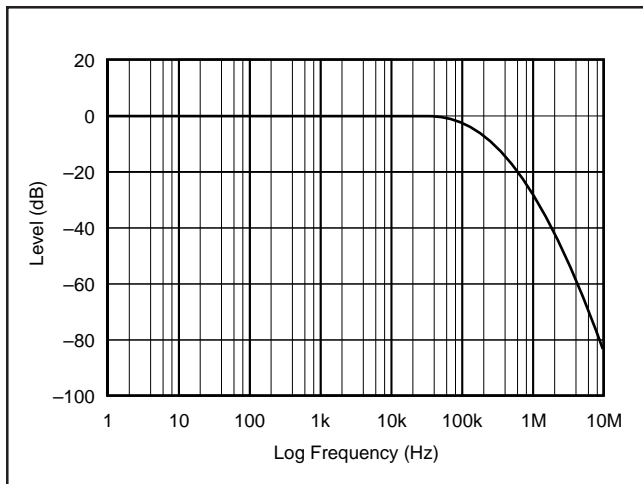


FIGURE 11. Output Filter Frequency Response.

### $V_{COM1}$ AND $V_{COM2}$ OUTPUTS

Two unbuffered common-mode voltage output pins,  $V_{COM1}$  (pin 16) and  $V_{COM2}$  (pin 15), are brought out for decoupling purposes. These pins are nominally biased to a DC voltage level equal to  $V_{CC}/2$ . If these pins are to be used to bias external circuitry, a voltage follower is required for buffering purposes. Figure 12 shows an example of using the  $V_{COM1}$  and  $V_{COM2}$  pins for external biasing applications.

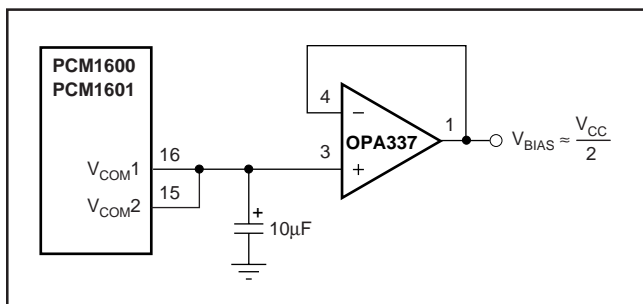


FIGURE 12. Biasing External Circuits Using the  $V_{COM1}$  and  $V_{COM2}$  Pins.

## ZERO FLAG AND INFINITE ZERO DETECT MUTE FUNCTIONS

The PCM1600 includes circuitry for detecting an all '0' data condition for the data input pins, DATA1 through DATA3. This includes two independent functions: Zero Output Flags and Zero Detect Mute.

Although the flag and mute functions are independent of one another, the zero detection mechanism is common to both functions.

### Zero Detect Condition

Zero Detection for each output channel is independent from the others. If the data for a given channel remains at a '0' level for 1024 sample periods (or LRCK clock periods), a Zero Detect condition exists for the that channel.

### Zero Output Flags

Given that a Zero Detect condition exists for one or more channels, the Zero flag pins for those channels will be set to a logic '1' state. There are Zero Flag pins for each channel, ZERO1 through ZERO6 (pins 1 through 6). In addition, all six Zero Flags are logically ANDed together and the result provided at the ZEROA pin (pin 48), which is set to a logic '1' state when all channels indicate a zero detect condition. The Zero Flag pins can be used to operate external mute circuits, or used as status indicators for a microcontroller, audio signal processor, or other digitally controlled functions.

### Infinite Zero Detect Mute

Infinite Zero Detect Mute is an internal logic function. The Zero Detect Mute can be enabled or disabled using the INZD bit of Control Register 8. The reset default is Zero Detect Mute disabled, INZD = 0. Given that a Zero Detect Condition exists for one or more channels, the zero mute circuitry will immediately force the corresponding DAC output(s) to the bipolar zero level, or  $V_{CC}/2$ . This is accomplished by switching the input of the DAC output amplifier from the delta-sigma modulator output to the DC common-mode reference voltage.

## APPLICATIONS INFORMATION

### CONNECTION DIAGRAMS

A basic connection diagram is shown in Figure 13, with the necessary power supply bypassing and decoupling components. Burr-Brown recommends using the component values shown in Figure 13 for all designs.

A typical application diagram is shown in Figure 14. Burr-Brown's REG1117-3.3 is used to generate +3.3V for  $V_{DD}$  from the +5V analog power supply. Burr-Brown's PLL1700E is used to generate the system clock input at SCLKI, as well as generating the clock for the audio signal processor.

The use of series resistors (22 $\Omega$  to 100 $\Omega$ ) are recommended for SCLKI, LRCK, BCK, DATA1, DATA2, and DATA3. The series resistor combines with the stray PCB and device input capacitance to form a low-pass filter which removes high frequency noise from the digital signal, thus reducing high frequency emission.

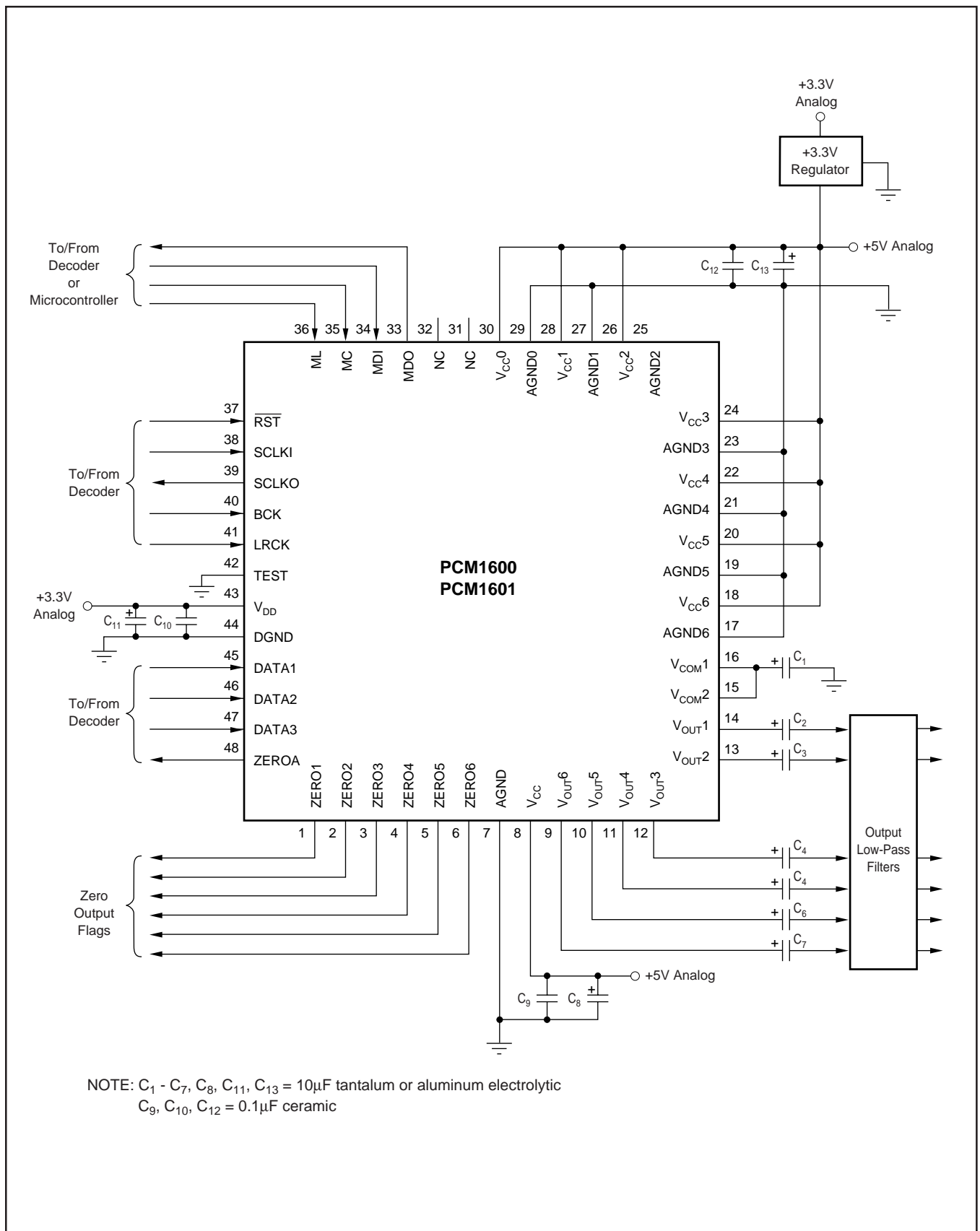


FIGURE 13. Basic Connection Diagram.

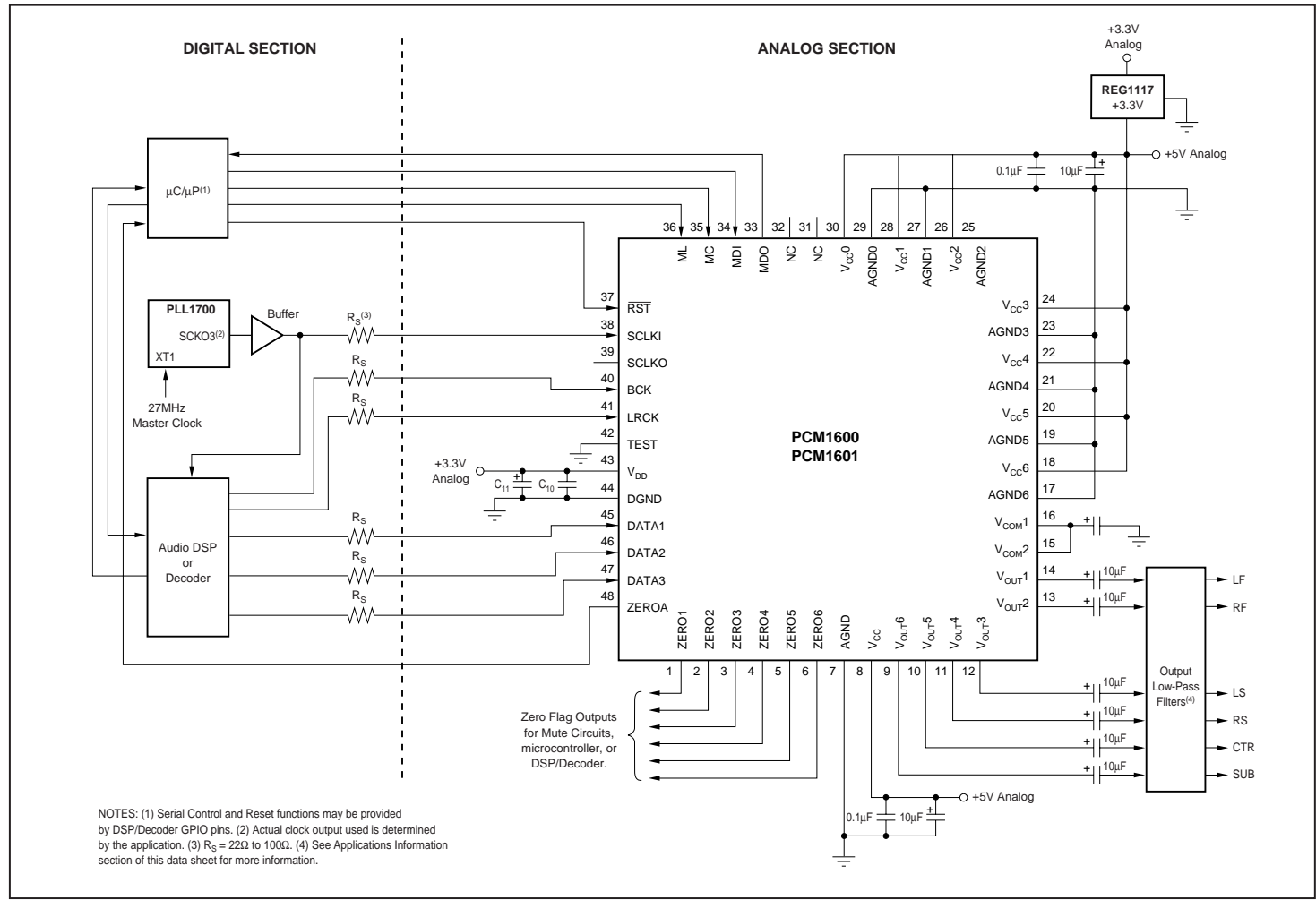


FIGURE 14. Typical Application Diagram.



## POWER SUPPLIES AND GROUNDING

The PCM1600 requires a +5V analog supply and a +3.3V digital supply. The +5V supply is used to power the DAC analog and output filter circuitry, while the +3.3V supply is used to power the digital filter and serial interface circuitry. For best performance, the +3.3V supply should be derived from the +5V supply using a linear regulator, as shown in Figure 14.

Six capacitors are required for supply bypassing, as shown in Figure 13. These capacitors should be located as close as possible to the PCM1600 or PCM1601 package. The 10µF capacitors should be tantalum or aluminum electrolytic, while the 0.1µF capacitors are ceramic (X7R type is recommended for surface-mount applications).

## D/A OUTPUT FILTER CIRCUITS

Delta-sigma D/A converters utilize noise shaping techniques to improve in-band Signal-to-Noise Ratio (SNR) performance at the expense of generating increased out-of-band noise above the Nyquist Frequency, or  $f_s/2$ . The out-of-band noise must be low-pass filtered in order to provide the optimal converter performance. This is accomplished by a combination of on-chip and external low-pass filtering.

Figures 15 and 16 show the recommended external low-pass active filter circuits for dual and single-supply applications. These circuits are 2nd-order Butterworth filters using the

Multiple Feedback (MFB) circuit arrangement, which reduces sensitivity to passive component variations over frequency and temperature. For more information regarding MFB active filter design, please refer to Burr-Brown Applications Bulletin AB-034, available from our web site ([www.burr-brown.com](http://www.burr-brown.com)) or your local Burr-Brown sales office.

Since the overall system performance is defined by the quality of the D/A converters and their associated analog output circuitry, high quality audio op amps are recommended for the active filters. Burr-Brown's OPA2134 and OPA2353 dual op amps are shown in Figures 15 and 16, and are recommended for use with the PCM1600 and PCM1601.

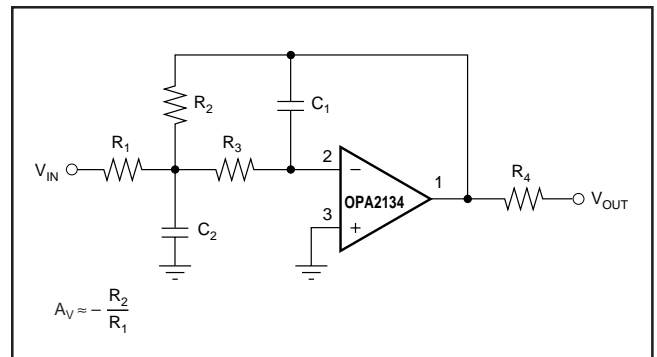


FIGURE 15. Dual Supply Filter Circuit.

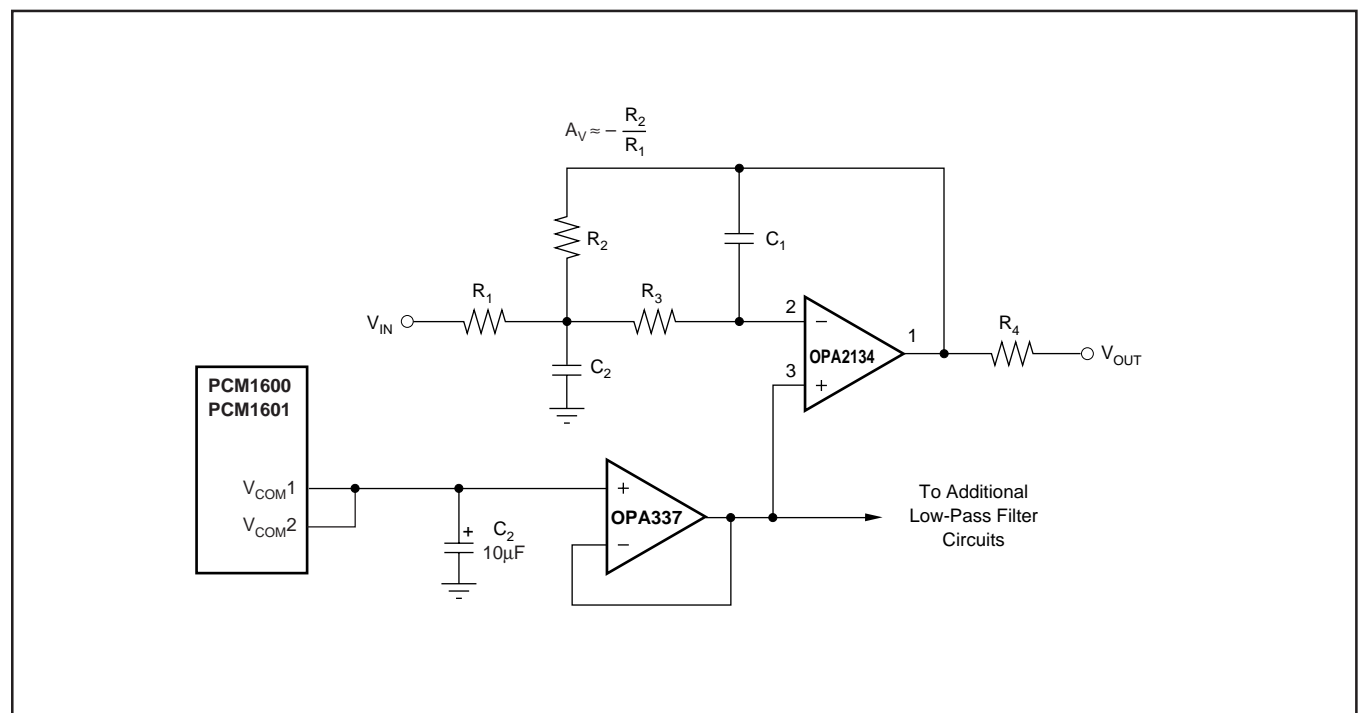


FIGURE 16. Single-Supply Filter Circuit.

# PCB LAYOUT GUIDELINES

A typical PCB floor plan for the PCM1600 and PCM1601 is shown in Figure 17. A ground plane is recommended, with the analog and digital sections being isolated from one another using a split or cut in the circuit board. The PCM1600 or PCM1601 should be oriented with the digital I/O pins facing the ground plane split/cut to allow for short, direct connections to the digital audio interface and control signals originating from the digital section of the board.

Separate power supplies are recommended for the digital and analog sections of the board. This prevents the switching noise present on the digital supply from contaminating the analog power supply and degrading the dynamic performance of the D/A converters. In cases where a common +5V supply must be used for the analog and digital sections, an inductance (RF choke, ferrite bead) should be placed between the analog and digital +5V supply connections to avoid coupling of the digital switching noise into the analog circuitry. Figure 18 shows the recommended approach for single-supply applications.

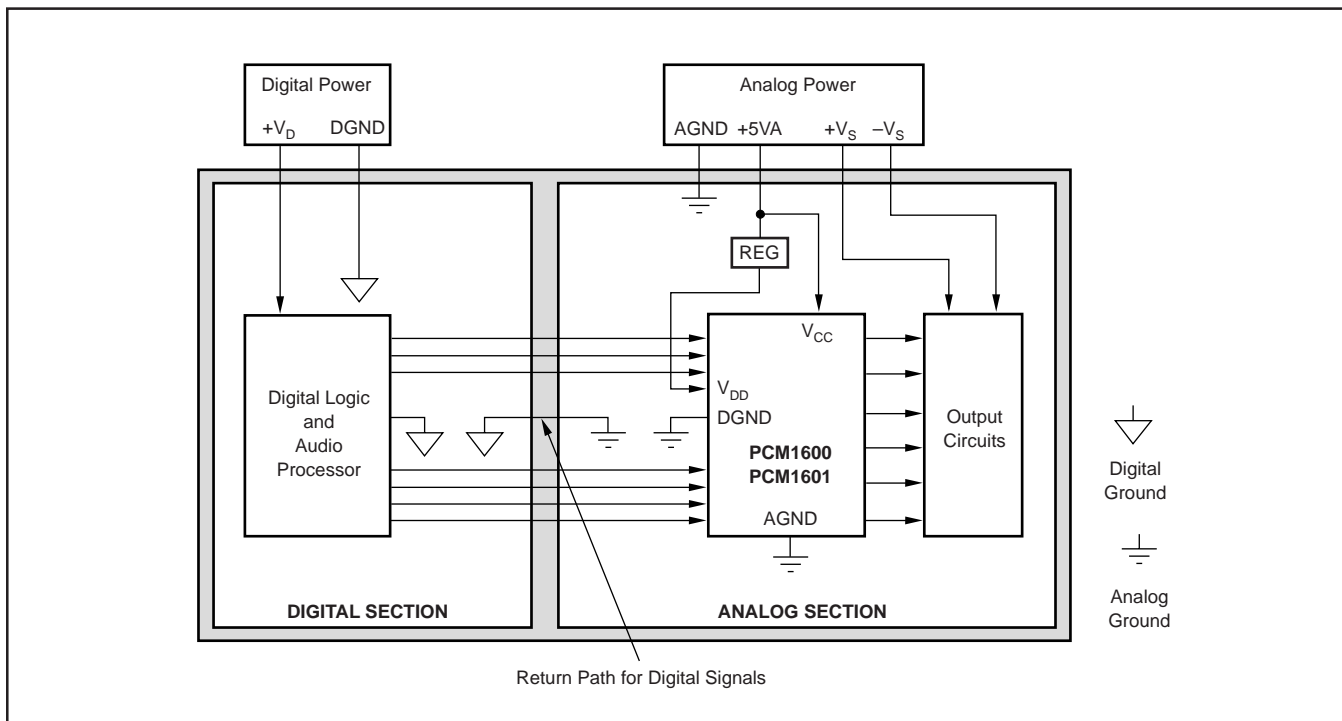


FIGURE 17. Recommended PCB Layout.

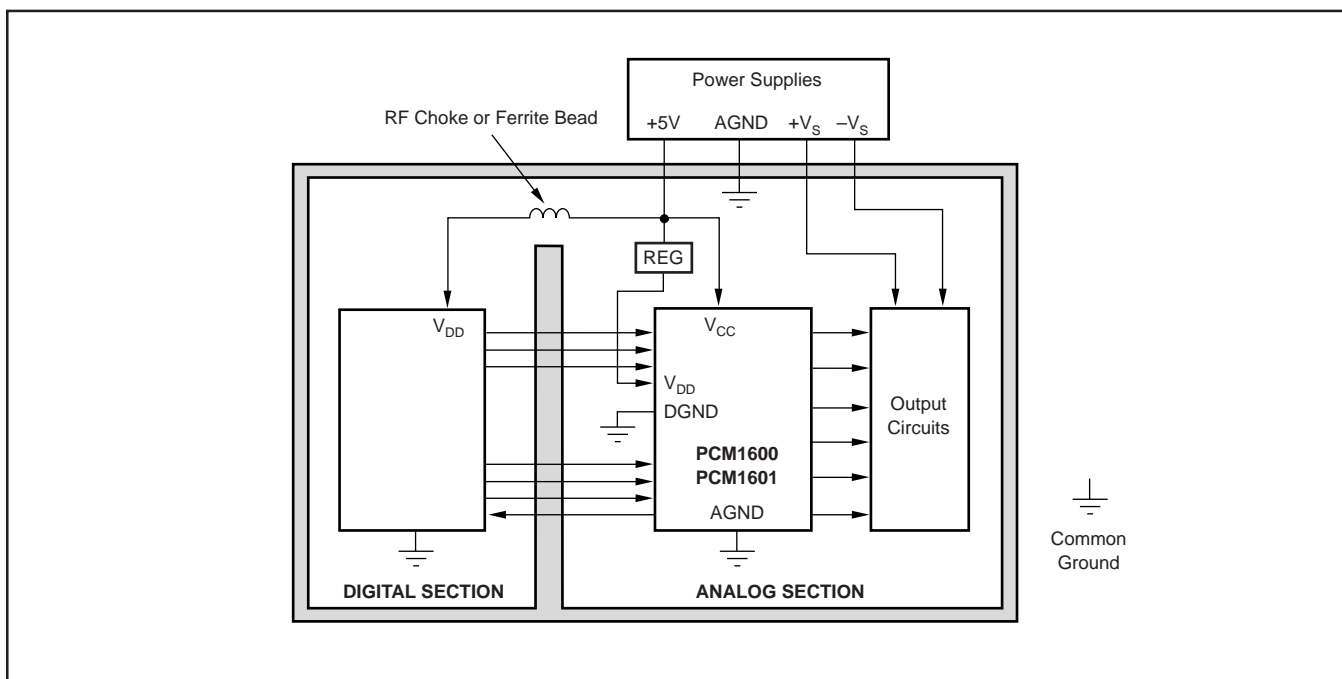


FIGURE 18. Single-Supply PCB Layout.

# THEORY OF OPERATION

The delta-sigma section of PCM1600 is based on a 8-level amplitude quantizer and a 4th-order noise shaper. This section converts the oversampled input data to 8-level delta-sigma format.

A block diagram of the 8-level delta-sigma modulator is shown in Figure 19. This 8-level delta-sigma modulator has the advantage of stability and clock jitter sensitivity over the typical one-bit (2 level) delta-sigma modulator.

The combined oversampling rate of the delta-sigma modulator and the internal 8x interpolation filter is  $64f_s$  for all system clock combinations ( $256/384/512/768f_s$ ).

The theoretical quantization noise performance of the 8-level delta-sigma modulator is shown in Figure 20. The enhanced multi-level delta-sigma architecture also has advantages for input clock jitter sensitivity due to the multi-level quantizer, with the simulated jitter sensitivity shown in Figure 21.

# KEY PERFORMANCE PARAMETERS AND MEASUREMENT

This section provides information on how to measure key dynamic performance parameters for the PCM1600 and PCM1601. In all cases, an Audio Precision System Two Cascade or equivalent audio measurement system is utilized to perform the testing.

## TOTAL HARMONIC DISTORTION + NOISE

Total Harmonic Distortion + Noise (THD+N) is a significant figure of merit for audio D/A converters, since it takes into account both harmonic distortion and all noise sources within a specified measurement bandwidth. The true rms value of the distortion and noise is referred to as THD+N.

For the PCM1600 and PCM1601 D/A converters, THD+N is measured with a full scale, 1kHz digital sine wave as the test stimulus at the input of the DAC. The digital generator is set

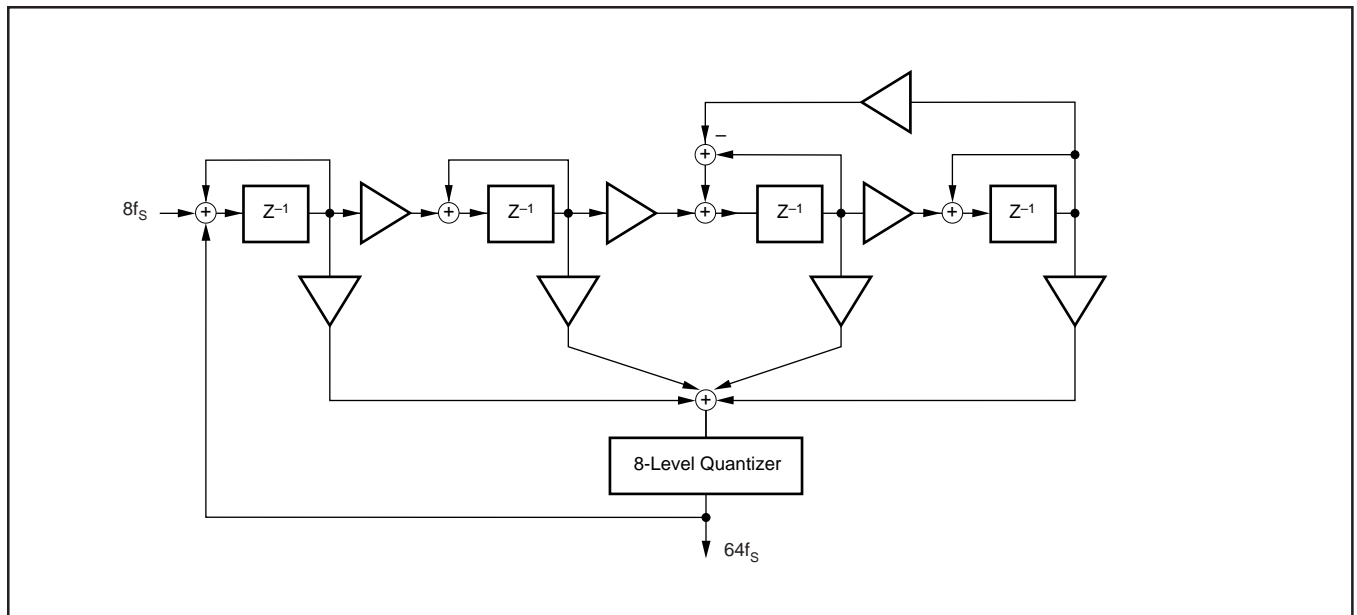


FIGURE 19. Eight-Level Delta-Sigma Modulator.

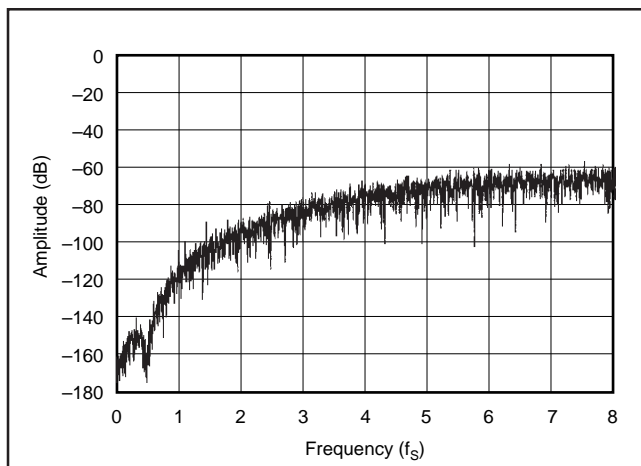


FIGURE 20. Quantization Noise Spectrum.

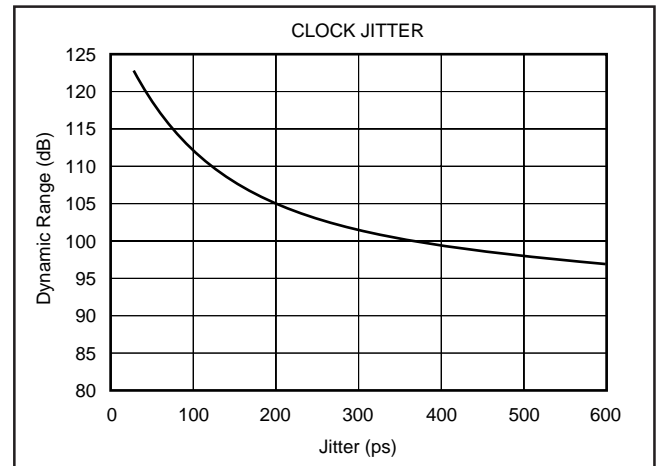


FIGURE 21. Jitter Sensitivity.

to 24-bit audio word length and a sampling frequency of 44.1kHz, or 96kHz. The digital generator output is taken from the unbalanced S/PDIF connector of the measurement system. The S/PDIF data is transmitted via coaxial cable to the digital audio receiver on the DEM-DAI1600 demo board. The receiver is then configured to output 24-bit data in either I<sup>2</sup>S or left-justified data format. The DAC audio interface format is programmed to match the receiver output format. The analog output is then taken from the DAC post filter and connected to the analog analyzer input of the measurement system. The analog input is band limited using filters resident in the analyzer. The resulting THD+N is measured by the analyzer and displayed by the measurement system.

## DYNAMIC RANGE

Dynamic range is specified as A-Weighted, THD+N measured with a -60dBFS, 1kHz digital sine wave stimulus at the input of the D/A converter. This measurement is designed to give a good indicator of how the DAC will perform given a low-level input signal.

The measurement setup for the dynamic range measurement is shown in Figure 23, and is similar to the THD+N test setup discussed previously. The differences include the band limit filter selection, the additional A-Weighting filter, and the -60dBFS input level.

## IDLE CHANNEL SIGNAL-TO-NOISE RATIO

The SNR test provides a measure of the noise floor of the D/A converter. The input to the D/A is all 0's data, and the D/A converter's Infinite Zero Detect Mute function must be disabled (default condition at power up for the PCM1600, PCM1601). This ensures that the delta-sigma modulator output is connected to the output amplifier circuit so that idle tones (if present) can be observed and effect the SNR measurement. The dither function of the digital generator must also be disabled to ensure an all '0's data stream at the input of the D/A converter.

The measurement setup for SNR is identical to that used for dynamic range, with the exception of the input signal level. (see the notes provided in Figure 23).

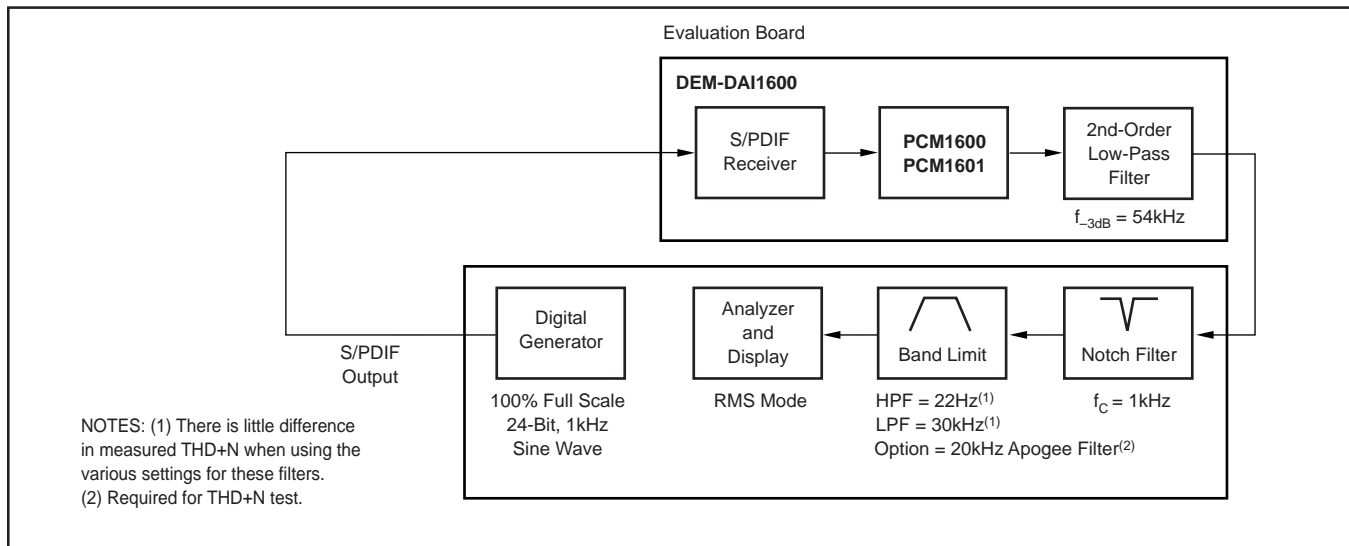


FIGURE 22. Test Setup for THD+N Measurements.

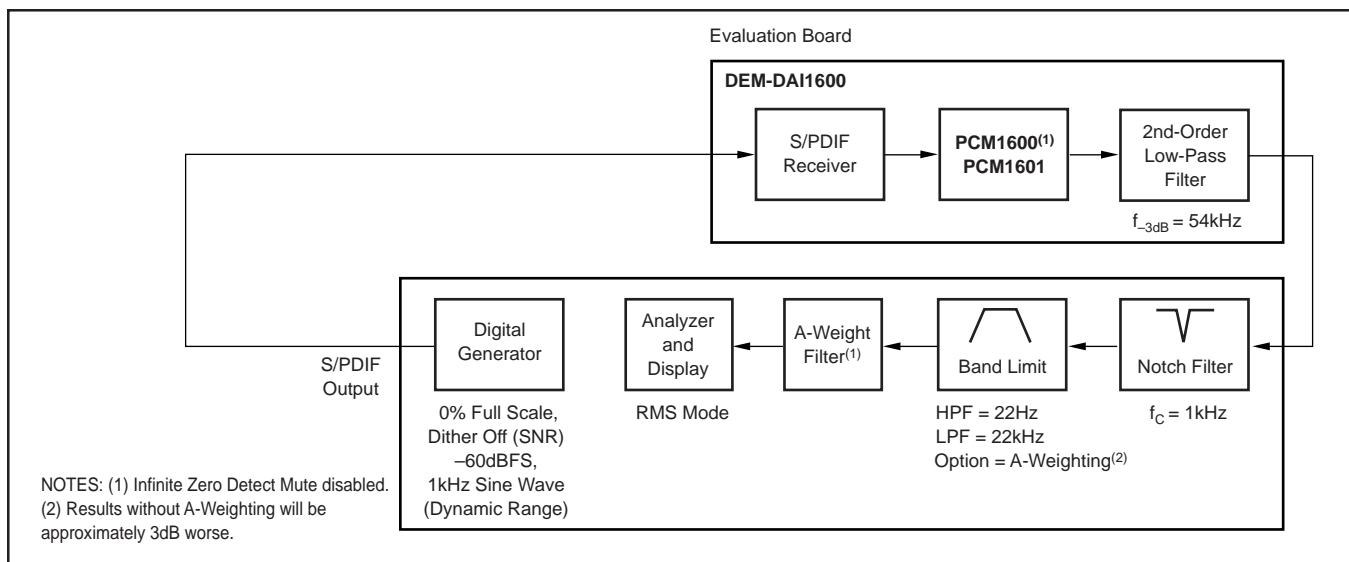


FIGURE 23. Test Set-Up for Dynamic Range and SNR Measurements.

**PACKAGING INFORMATION**

| Orderable Device | Status <sup>(1)</sup> | Package Type | Package Drawing | Pins | Package Qty | Eco Plan <sup>(2)</sup> | Lead/<br>Ball Finish | MSL Peak Temp <sup>(3)</sup> | Samples<br>(Requires Login) |
|------------------|-----------------------|--------------|-----------------|------|-------------|-------------------------|----------------------|------------------------------|-----------------------------|
| PCM1600Y-1       | OBSOLETE              | LQFP         | PT              | 48   |             | TBD                     | Call TI              | Call TI                      |                             |
| PCM1600Y-1G4     | OBSOLETE              | LQFP         | PT              | 48   |             | TBD                     | Call TI              | Call TI                      |                             |
| PCM1601Y/1K      | NRND                  | QFP          | PJS             | 48   |             | TBD                     | Call TI              | Call TI                      |                             |

<sup>(1)</sup> The marketing status values are defined as follows:

**ACTIVE:** Product device recommended for new designs.

**LIFEBUY:** TI has announced that the device will be discontinued, and a lifetime-buy period is in effect.

**NRND:** Not recommended for new designs. Device is in production to support existing customers, but TI does not recommend using this part in a new design.

**PREVIEW:** Device has been announced but is not in production. Samples may or may not be available.

**OBSOLETE:** TI has discontinued the production of the device.

<sup>(2)</sup> Eco Plan - The planned eco-friendly classification: Pb-Free (RoHS), Pb-Free (RoHS Exempt), or Green (RoHS & no Sb/Br) - please check <http://www.ti.com/productcontent> for the latest availability information and additional product content details.

**TBD:** The Pb-Free/Green conversion plan has not been defined.

**Pb-Free (RoHS):** TI's terms "Lead-Free" or "Pb-Free" mean semiconductor products that are compatible with the current RoHS requirements for all 6 substances, including the requirement that lead not exceed 0.1% by weight in homogeneous materials. Where designed to be soldered at high temperatures, TI Pb-Free products are suitable for use in specified lead-free processes.

**Pb-Free (RoHS Exempt):** This component has a RoHS exemption for either 1) lead-based flip-chip solder bumps used between the die and package, or 2) lead-based die adhesive used between the die and leadframe. The component is otherwise considered Pb-Free (RoHS compatible) as defined above.

**Green (RoHS & no Sb/Br):** TI defines "Green" to mean Pb-Free (RoHS compatible), and free of Bromine (Br) and Antimony (Sb) based flame retardants (Br or Sb do not exceed 0.1% by weight in homogeneous material)

<sup>(3)</sup> MSL, Peak Temp. -- The Moisture Sensitivity Level rating according to the JEDEC industry standard classifications, and peak solder temperature.

**Important Information and Disclaimer:** The information provided on this page represents TI's knowledge and belief as of the date that it is provided. TI bases its knowledge and belief on information provided by third parties, and makes no representation or warranty as to the accuracy of such information. Efforts are underway to better integrate information from third parties. TI has taken and continues to take reasonable steps to provide representative and accurate information but may not have conducted destructive testing or chemical analysis on incoming materials and chemicals. TI and TI suppliers consider certain information to be proprietary, and thus CAS numbers and other limited information may not be available for release.

In no event shall TI's liability arising out of such information exceed the total purchase price of the TI part(s) at issue in this document sold by TI to Customer on an annual basis.

## IMPORTANT NOTICE

Texas Instruments Incorporated and its subsidiaries (TI) reserve the right to make corrections, modifications, enhancements, improvements, and other changes to its products and services at any time and to discontinue any product or service without notice. Customers should obtain the latest relevant information before placing orders and should verify that such information is current and complete. All products are sold subject to TI's terms and conditions of sale supplied at the time of order acknowledgment.

TI warrants performance of its hardware products to the specifications applicable at the time of sale in accordance with TI's standard warranty. Testing and other quality control techniques are used to the extent TI deems necessary to support this warranty. Except where mandated by government requirements, testing of all parameters of each product is not necessarily performed.

TI assumes no liability for applications assistance or customer product design. Customers are responsible for their products and applications using TI components. To minimize the risks associated with customer products and applications, customers should provide adequate design and operating safeguards.

TI does not warrant or represent that any license, either express or implied, is granted under any TI patent right, copyright, mask work right, or other TI intellectual property right relating to any combination, machine, or process in which TI products or services are used. Information published by TI regarding third-party products or services does not constitute a license from TI to use such products or services or a warranty or endorsement thereof. Use of such information may require a license from a third party under the patents or other intellectual property of the third party, or a license from TI under the patents or other intellectual property of TI.

Reproduction of TI information in TI data books or data sheets is permissible only if reproduction is without alteration and is accompanied by all associated warranties, conditions, limitations, and notices. Reproduction of this information with alteration is an unfair and deceptive business practice. TI is not responsible or liable for such altered documentation. Information of third parties may be subject to additional restrictions.

Resale of TI products or services with statements different from or beyond the parameters stated by TI for that product or service voids all express and any implied warranties for the associated TI product or service and is an unfair and deceptive business practice. TI is not responsible or liable for any such statements.

TI products are not authorized for use in safety-critical applications (such as life support) where a failure of the TI product would reasonably be expected to cause severe personal injury or death, unless officers of the parties have executed an agreement specifically governing such use. Buyers represent that they have all necessary expertise in the safety and regulatory ramifications of their applications, and acknowledge and agree that they are solely responsible for all legal, regulatory and safety-related requirements concerning their products and any use of TI products in such safety-critical applications, notwithstanding any applications-related information or support that may be provided by TI. Further, Buyers must fully indemnify TI and its representatives against any damages arising out of the use of TI products in such safety-critical applications.

TI products are neither designed nor intended for use in military/aerospace applications or environments unless the TI products are specifically designated by TI as military-grade or "enhanced plastic." Only products designated by TI as military-grade meet military specifications. Buyers acknowledge and agree that any such use of TI products which TI has not designated as military-grade is solely at the Buyer's risk, and that they are solely responsible for compliance with all legal and regulatory requirements in connection with such use.

TI products are neither designed nor intended for use in automotive applications or environments unless the specific TI products are designated by TI as compliant with ISO/TS 16949 requirements. Buyers acknowledge and agree that, if they use any non-designated products in automotive applications, TI will not be responsible for any failure to meet such requirements.

Following are URLs where you can obtain information on other Texas Instruments products and application solutions:

### Products

|                        |  |
|------------------------|--|
| Audio                  | <a href="http://www.ti.com/audio">www.ti.com/audio</a>                               |
| Amplifiers             | <a href="http://amplifier.ti.com">amplifier.ti.com</a>                               |
| Data Converters        | <a href="http://dataconverter.ti.com">dataconverter.ti.com</a>                       |
| DLP® Products          | <a href="http://www.dlp.com">www.dlp.com</a>   |
| DSP                    | <a href="http://dsp.ti.com">dsp.ti.com</a>   |
| Clocks and Timers      | <a href="http://www.ti.com/clocks">www.ti.com/clocks</a>                             |
| Interface              | <a href="http://interface.ti.com">interface.ti.com</a>                               |
| Logic                  | <a href="http://logic.ti.com">logic.ti.com</a>                                       |
| Power Mgmt             | <a href="http://power.ti.com">power.ti.com</a>                                       |
| Microcontrollers       | <a href="http://microcontroller.ti.com">microcontroller.ti.com</a>                   |
| RFID                   | <a href="http://www.ti-rfid.com">www.ti-rfid.com</a>                                 |
| OMAP Mobile Processors | <a href="http://www.ti.com/omap">www.ti.com/omap</a>                                 |
| Wireless Connectivity  | <a href="http://www.ti.com/wirelessconnectivity">www.ti.com/wirelessconnectivity</a> |

### Applications

|                               |  |
|-------------------------------|--|
| Communications and Telecom    | <a href="http://www.ti.com/communications">www.ti.com/communications</a>                 |
| Computers and Peripherals     | <a href="http://www.ti.com/computers">www.ti.com/computers</a>                           |
| Consumer Electronics          | <a href="http://www.ti.com/consumer-apps">www.ti.com/consumer-apps</a>                   |
| Energy and Lighting           | <a href="http://www.ti.com/energy">www.ti.com/energy</a>                                 |
| Industrial                    | <a href="http://www.ti.com/industrial">www.ti.com/industrial</a>                         |
| Medical                       | <a href="http://www.ti.com/medical">www.ti.com/medical</a>                               |
| Security                      | <a href="http://www.ti.com/security">www.ti.com/security</a>                             |
| Space, Avionics and Defense   | <a href="http://www.ti.com/space-avionics-defense">www.ti.com/space-avionics-defense</a> |
| Transportation and Automotive | <a href="http://www.ti.com/automotive">www.ti.com/automotive</a>                         |
| Video and Imaging             | <a href="http://www.ti.com/video">www.ti.com/video</a>                                   |

TI E2E Community Home Page

[e2e.ti.com](http://e2e.ti.com)

Mailing Address: Texas Instruments, Post Office Box 655303, Dallas, Texas 75265  
Copyright © 2011, Texas Instruments Incorporated