

## LED Driver with Dynamic Headroom Control and Thermal Control Interfaces

Check for Samples: [LM3464](#), [LM3464A](#)

### FEATURES

- **Wide Input Voltage Range**
  - 12V-80V (LM3464)
  - 12V-95V (LM3464A)
- **Dynamic Headroom Control Ensures Maximum Efficiency**
- **4 Output Channels With Individual Current Regulation**
- **High Channel to Channel Accuracy**
- **Digital PWM/Analog Dimming Control Interface**
- **Resistor Programmable Dimming Frequency and Minimum Duty Cycle (Analog Dimming Mode)**
- **Direct Interface to Thermal Sensor**
- **Fault Detection**
- **Over Temperature Protection**
- **Thermal Shutdown**
- **Under Voltage Lockout**
- **Thermal Enhanced TSSOP-28 Package**

### APPLICATIONS

- **Streetlights**
- **Solid State Lighting Solutions**

### DESCRIPTION

The LM3464/64A is a 4-channel high voltage current regulator that provides a simple solution for LED lighting applications. The LM3464/64A provides four individual current regulator channels and works in conjunction with external N-channel MOSFETs and sense resistors to give accurate driving current for every LED string. Additionally, the Dynamic Headroom Control (DHC) output can be interfaced to the external power supply to adjust the LED supply voltage to the lowest level that is adequate to maintain all the string currents in regulation, yielding the optimal overall efficiency.

Digital PWM or analog voltage signals can be used to control the duty cycle of the all the channels. When analog control is used, the dimming frequency can be programmed via an external capacitor. A minimum duty cycle control is provided in the conditions that the analog dimming is configured as thermal feedback.

Protection features include VIN under-voltage lock-out, LED open/short circuit and over-temperature fault signaling to the system controller.



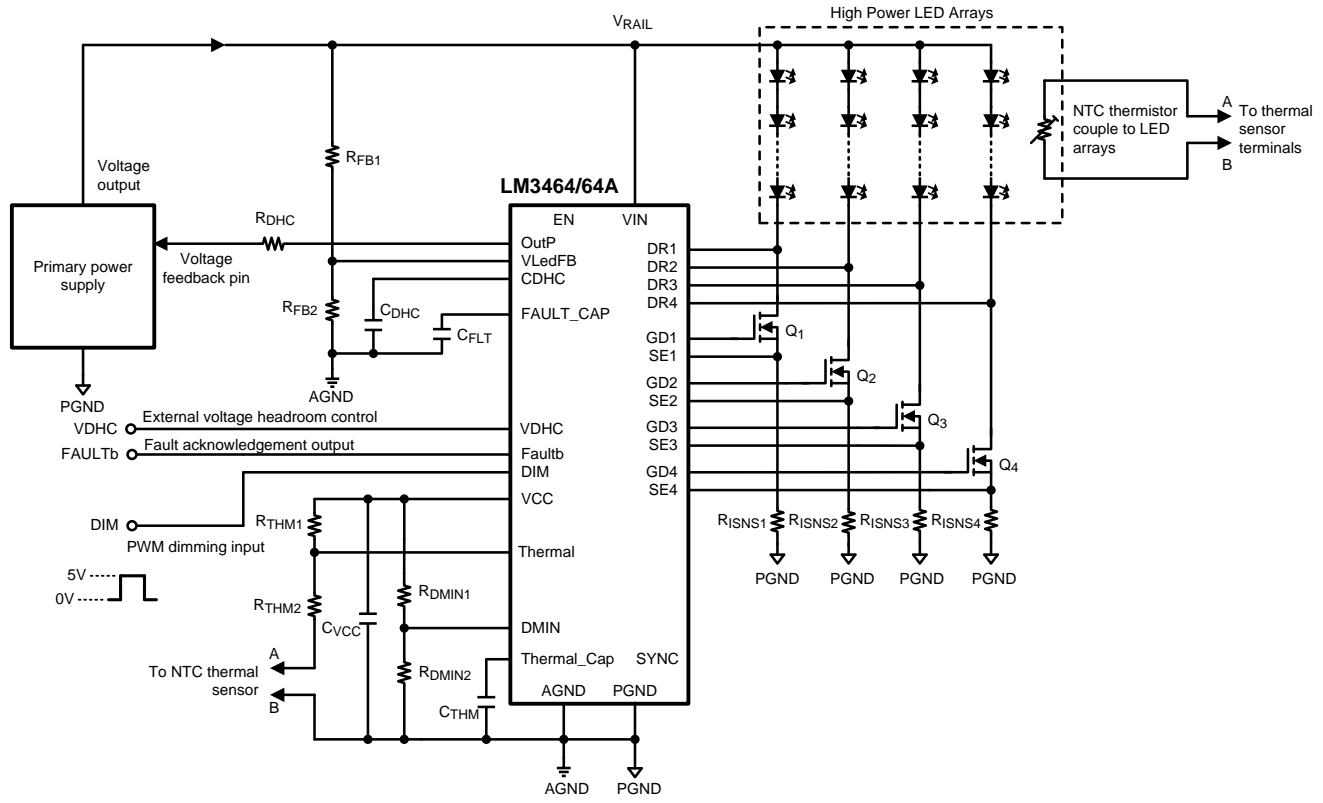
Please be aware that an important notice concerning availability, standard warranty, and use in critical applications of Texas Instruments semiconductor products and disclaimers thereto appears at the end of this data sheet.

All trademarks are the property of their respective owners.

PRODUCTION DATA information is current as of publication date. Products conform to specifications per the terms of the Texas Instruments standard warranty. Production processing does not necessarily include testing of all parameters.

Copyright © 2010–2011, Texas Instruments Incorporated

### Typical Application



### Connection Diagram

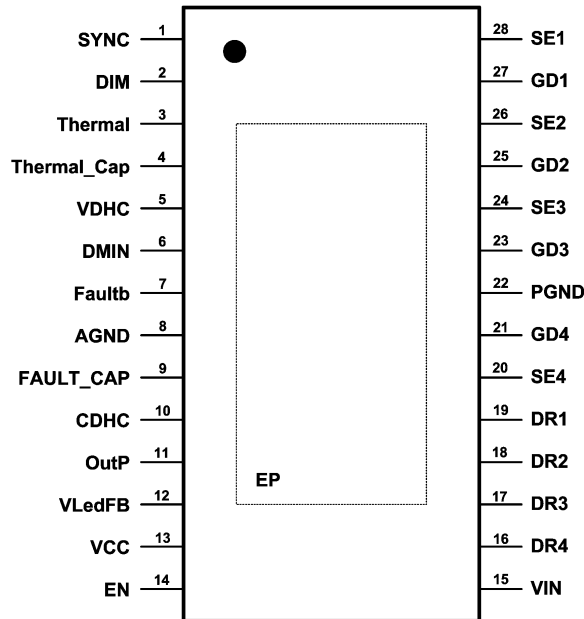


Figure 1. Top View  
28-Lead TSSOP-28  
Package Number PWP

**PIN DESCRIPTIONS**

Pin	Name	Description	Application Information
1	SYNC	Synchronization signal output for cascade operation (Master-Slave configuration)	Connect this pin to the DIM pin of other LM3464/64A to enable cascade operation (multiple device). This pin should leave open for single device operation.
2	DIM	PWM dimming control	Apply logic level PWM signal to this pin controls the average brightness of the LED string. (<1.25V disable output).
3	Thermal	Thermal sensor input	Connect thermal sensor to this pin with bias accordingly to facilitate thermal foldback and control the brightness of the LED array.
4	Thermal_Cap	Thermal dimming ramp capacitor	Connect a capacitor across this pin and GND to define the thermal dimming frequency.
5	VDHC	Head room control	Apply external voltage across this pin and ground to define the minimum drain voltage. This pin is internal biased at 0.9V.
6	DMIN	Minimum thermal dimming duty control	The voltage across this pin and GND defines the minimum thermal dimming duty cycle.
7	Faultb	Fault signal output	Open Drain output, pull-down when FAULT condition occurred.
8	AGND	Signal ground	Analog ground connection for internal circuitry. Must be connected to PGND external to the package.
9	FAULT_CAP	Fault delay capacitor	Connect to an external capacitor to program the fault response time.
10	CDHC	DHC time constant capacitor	An external capacitor to ground programs the Dynamic Headroom Control loop response time
11	OutP	DHC Output	Connect this pin to the voltage feedback input of primary power supply to facilitate dynamic headroom control.
12	VLedFB	Output voltage sense input	This pin senses the output voltage of the primary power supply.
13	VCC	Internal regulator output	This pin is the output terminal of the internal voltage regulator and should be bypassed by a high quality 1uF ceramic capacitor.
14	EN	Enable input	This pin serves as device enable input when logic level signal is applied. (Active high with internal pull-up)
15	VIN	Supply voltage	The input voltage should be in the range of 12V to 80V for LM3464, 12–95V for LM3464A
16	DR4	Channel 4 drain sense input	This pin senses the drain voltage of the external MOSFET of channel 4 to facilitate DHC operation and fault detection.
17	DR3	Channel 3 drain sense input	This pin senses the drain voltage of the external MOSFET of channel 3 to facilitate DHC operation and fault detection.
18	DR2	Channel 2 drain sense input	This pin senses the drain voltage of the external MOSFET of channel 2 to facilitate DHC operation and fault detection.
19	DR1	Channel 1 drain sense input	This pin senses the drain voltage of the external MOSFET of channel 1 to facilitate DHC operation and fault detection.
20	SE4	Channel 4 sense input	Connect to an external sense resistor to define the Channel 4 LED current.
21	GD4	Channel 4 gate driver output	Connect to the gate of external NMOS to control the channel 4 LED current.
22	PGND	Power Ground	Ground for power circuitry. Reference point for all stated voltages. Must be externally connected to EP and AGND
23	GD3	Channel 3 gate driver output	Connect to the gate of external NMOS to control the channel 3 LED current.
24	SE3	Channel 3 sense input	Connect to an external sense resistor to define the Channel 3 LED current.
25	GD2	Channel 2 gate driver output	Connect to the gate of external NMOS to control the channel 2 LED current.
26	SE2	Channel 2 sense input	Connect to an external sense resistor to define the Channel 2 LED current.
27	GD1	Channel 1 gate driver output	Connect to the gate of external NMOS to control the channel 1 LED current.
28	SE1	Channel 1 sense input	Connect to an external sense resistor to define the Channel 1 LED current.
EP	EP	Thermal Pad (Power Ground)	Used to dissipate heat from the package during operation. Must be electrically connected to PGND external to the package.



These devices have limited built-in ESD protection. The leads should be shorted together or the device placed in conductive foam during storage or handling to prevent electrostatic damage to the MOS gates.

### Absolute Maximum Ratings (LM3464/LM3464A) <sup>(1)(2)</sup>

V <sub>IN</sub> to GND	-0.3V to 100V
DR1, DR2, DR3, DR4 to GND	-0.3V to 100V
EN to GND	-0.3V to 5.5V
All other inputs to GND	-0.3V to 7V
ESD Rating <sup>(3)</sup> , Human Body Model	±2 kV
Storage Temperature Range	-65°C to + 150°C
Junction Temperature (T <sub>J</sub> )	+ 150°C

- (1) Absolute Maximum Ratings are limits beyond which damage to the device may occur. Operating Ratings are conditions under which operation of the device is intended to be functional. For ensured specifications and test conditions, see the Electrical Characteristics.
- (2) If Military/Aerospace specified devices are required, please contact the Texas Instruments Sales Office/Distributors for availability and specifications.
- (3) The human body model is a 100 pF capacitor discharged through a 1.5 kΩ resistor into each pin.

### Operating Ratings (LM3464)

Supply Voltage Range (V <sub>IN</sub> )	12V to 80V
Junction Temperature Range (T <sub>J</sub> )	-40°C to + 125°C
Thermal Resistance (θ <sub>JA</sub> ) <sup>(1)</sup>	33.5°C/W
Thermal Resistance (θ <sub>JC</sub> ) <sup>(1)</sup>	6°C/W

- (1) Measurements are performed on a 4 layer JEDEC board with 10 vias provided under the exposed pad. See JESD51-1 to JESD51-11. The value of θ<sub>JA</sub> is specifically dependent on the PCB trace area, trace material and the number of layers and thermal vias.

### Operating Ratings (LM3464A)

Supply Voltage Range (V <sub>IN</sub> )	12V to 95V
Junction Temperature Range (T <sub>J</sub> )	-40°C to + 125°C
Thermal Resistance (θ <sub>JA</sub> ) <sup>(1)</sup>	33.5°C/W
Thermal Resistance (θ <sub>JC</sub> ) <sup>(1)</sup>	6°C/W

- (1) Measurements are performed on a 4 layer JEDEC board with 10 vias provided under the exposed pad. See JESD51-1 to JESD51-11. The value of θ<sub>JA</sub> is specifically dependent on the PCB trace area, trace material and the number of layers and thermal vias.

### Electrical Characteristics (LM3464/LM3464A)

Specification with standard type are for T<sub>A</sub> = T<sub>J</sub> = +25°C only; limits in **boldface** type apply over the full Operating Junction Temperature (T<sub>J</sub>) range. Minimum and Maximum are specified through test, design or statistical correlation. Typical values represent the most likely parametric norm at T<sub>J</sub> = +25°C, and are provided for reference purposes only. Unless otherwise stated the following conditions apply: V<sub>IN</sub> = 48V.

Symbol	Parameter	Conditions	Min	Typ	Max	Units
<b>Vcc Regulator<sup>(1)</sup></b>						
V <sub>IN-UVLO</sub>	Vin under voltage lockout	V <sub>IN</sub> increasing		8.5		V
V <sub>IN-UVLO-HYS</sub>	Vin UVLO hysteresis	V <sub>IN</sub> decreasing		95		mV
V <sub>CC</sub>	VCC output voltage	C <sub>VCC</sub> = 0.68 μF No load	<b>6.15</b>	6.3	<b>6.51</b>	V
V <sub>CC-UVLO</sub>	VCC under-voltage lockout threshold (UVLO)	V <sub>CC</sub> increasing	<b>4.98</b>		<b>5.28</b>	V
V <sub>CC-UVLO-HYS</sub>	VCC UVLO hysteresis	V <sub>CC</sub> decreasing		250		mV
I <sub>IN</sub>	Quiescent Current from VIN	C <sub>VCC</sub> = 0.68 μF No load	<b>1.65</b>	2.3	<b>3</b>	mA
I <sub>VCC</sub>	VCC Current limit	V <sub>CC</sub> = 0V	<b>18</b>			mA
<b>Device Enable</b>						
V <sub>EN-DISABLE</sub>	Device disable voltage threshold	V <sub>EN</sub> Decreasing	<b>2.1</b>	2.55	<b>3</b>	V

- (1) V<sub>CC</sub> provides self bias for the internal gate drive and control circuits. Device thermal limitations limit external loading.

**Electrical Characteristics (LM3464/LM3464A) (continued)**

Specification with standard type are for  $T_A = T_J = +25^\circ\text{C}$  only; limits in **boldface** type apply over the full Operating Junction Temperature ( $T_J$ ) range. Minimum and Maximum are specified through test, design or statistical correlation. Typical values represent the most likely parametric norm at  $T_J = +25^\circ\text{C}$ , and are provided for reference purposes only. Unless otherwise stated the following conditions apply:  $V_{IN} = 48\text{V}$ .

Symbol	Parameter	Conditions	Min	Typ	Max	Units
$I_{EN-MAX}$	EN pin internal pull current	$V_{EN} = 0\text{V}$	<b>7.2</b>	11	<b>14.7</b>	$\mu\text{A}$
<b>Analog Dimming Control Interface</b>						
$V_{CTHM-MAX}$	Sawtooth max. voltage threshold at Thermal_Cap pin 100% output duty cycle		<b>2.95</b>	3.25	<b>3.3</b>	V
$V_{CTHM-MIN}$	Sawtooth min. voltage threshold at Thermal_Cap pin 0% output duty cycle		<b>0.325</b>	0.4	<b>0.493</b>	V
$I_{CTHM}$	Thermal_Cap pin output current		<b>38.9</b>	50	<b>61</b>	$\mu\text{A}$
<b>PWM Dimming Control Interface</b>						
$V_{DIM-LED-ON}$	DIM pin voltage threshold at LED ON	$V_{DMIN} = 0\text{V}$ $V_{THERMAL} = V_{CC}$	<b>1.19</b>			V
$V_{DIM-LED-OFF}$	DIM pin voltage threshold at LED OFF	$V_{DMIN} = 0\text{V}$ $V_{THERMAL} = V_{CC}$			<b>1.3</b>	V
<b>Dynamic Headroom Control Output</b>						
$V_{OutP-MAX}$	OutP pin max. output voltage			$V_{CC}-0.5$		V
$V_{OutP-MIN}$	OutP pin min. output voltage	$I_{outP} = 1\text{ mA}$ current sink		0.3		V
$V_{LEDFB-LED-ON}$	VLedFB pin voltage threshold at LED ON		<b>2.4</b>	2.5	<b>2.58</b>	V
$V_{LEDFB-SYS-RST}$	System restart VLedFB pin voltage threshold for system restart	Measure at VLedFB pin		1.2		V
<b>LED Current Regulator</b>						
$V_{GDx-MAX}$	GDx gate driver max. output voltage		4.73	$V_{CC}-1$		V
$V_{GDx-MIN}$	GDx gate driver min. output voltage			0.115	0.127	V
$I_{GDx-MAX}$	GDx gate driver short circuit current	GDx short to GND			8	mA
$I_{DRx}$	DRx pin input current	$V_{DRx} = 10\text{V}$		25	<b>29</b>	$\mu\text{A}$
		$V_{DRx} = 100\text{V}$		55	<b>70</b>	$\mu\text{A}$
<b>Fault Detection and Handling</b>						
$V_{OVP-TH}$	DRx Pin over-voltage protection threshold	Measure at DRx pin	<b>18</b>	19	<b>21</b>	V
$V_{SHORTFAULT}$	DRx short fault threshold	Any $V_{DRx} < 2.5\text{V}$	<b>8.35</b>	8.4	<b>9.75</b>	V
$V_{OPENFAULT}$	SEx open fault threshold	Measure at SEx pin	30			mV
$I_{FAULT-CAP}$	FAULT_CAP pin output current	All $V_{DRx} < V_{OVP-TH}$		25		$\mu\text{A}$
$I_{FAULT-CAP-OVP}$	FAULT_CAP pin output current at DRx over-voltage	Any $V_{DRx} \geq V_{OVP-TH}$		105		$\mu\text{A}$
$V_{FAULT-CAP}$	FAULT-CAP pin voltage threshold at fault timer expire	$V_{FAULT-CAP}$ rising		3.6		V
$R_{Faultb}$	Faultb pin to GND resistance	LED fault = TRUE		110		$\Omega$
<b>Thermal Protection</b>						
$T_{OTM-TH}$	Over Temperature Monitor Threshold			125		$^\circ\text{C}$
$T_{OTM-HYS}$	Over Temperature Monitor Hysteresis			20		$^\circ\text{C}$
$T_{SD}$	Thermal shutdown temperature	$T_J$ rising		165		$^\circ\text{C}$
$T_{SD-HYS}$	Thermal shutdown temperature hysteresis	$T_J$ falling		20		$^\circ\text{C}$
<b>Thermal Resistance</b>						
$\theta_{JA}$	Junction to Ambient <sup>(2)</sup>	TSSOP-28 Package		33.5		$^\circ\text{C/W}$
$\theta_{JC}$	Junction to Case <sup>(2)</sup>			6		$^\circ\text{C/W}$

(2) Measurements are performed on a 4 layer JEDEC board with 10 vias provided under the exposed pad. See JESD51-1 to JESD51-11. The value of  $\theta_{JA}$  is specifically dependent on the PCB trace area, trace material and the number of layers and thermal vias.

### Typical Performance Characteristics

All curves taken at  $V_{IN} = 48V$  with configuration in typical application for driving twelve power LEDs with four output channels active and output current per channel = 350 mA.  $T_A = 25^\circ C$ , unless otherwise specified.

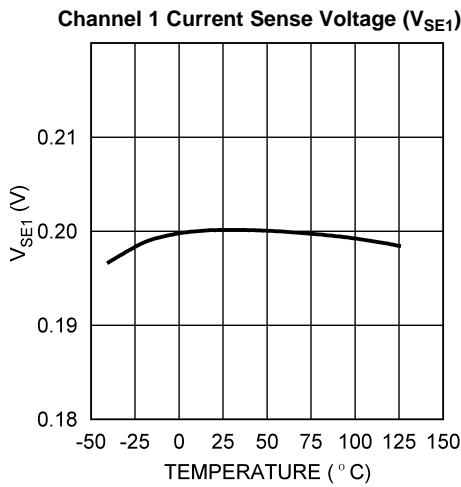


Figure 2.

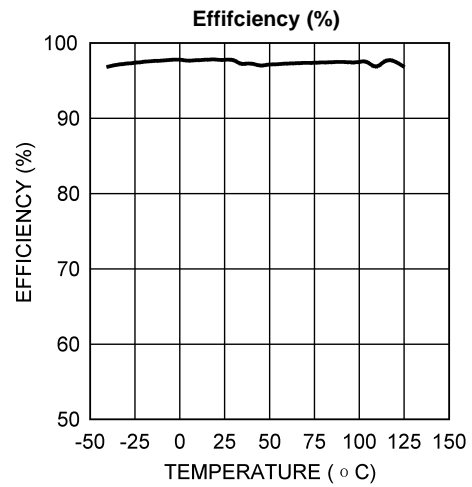


Figure 3.

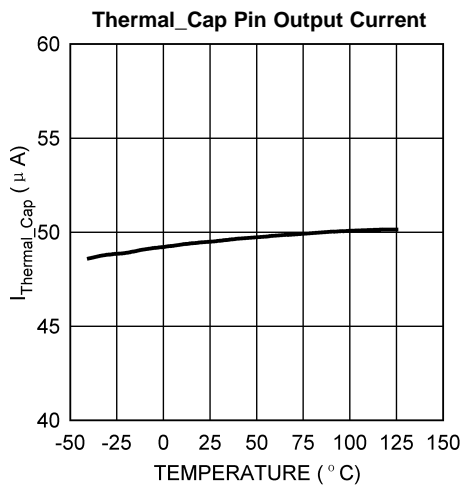


Figure 4.

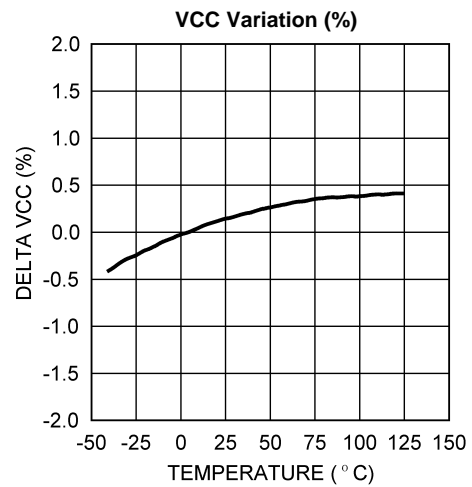


Figure 5.

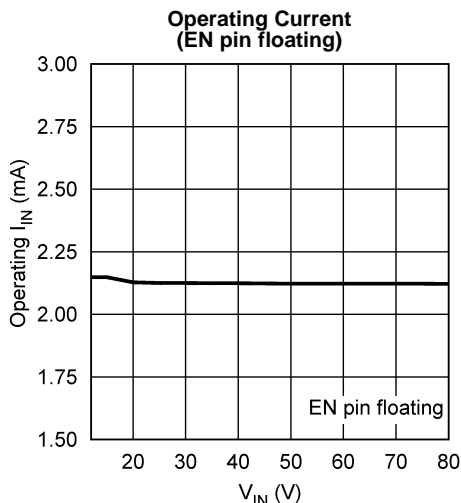


Figure 6.

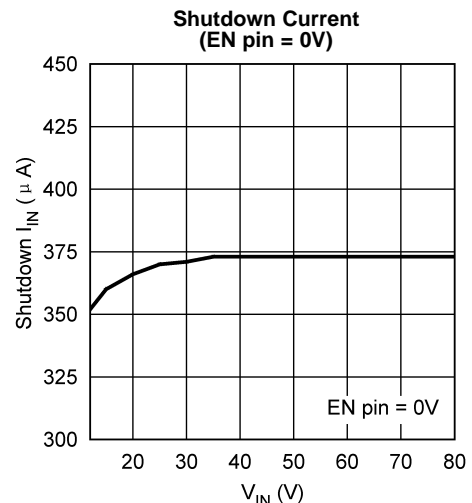
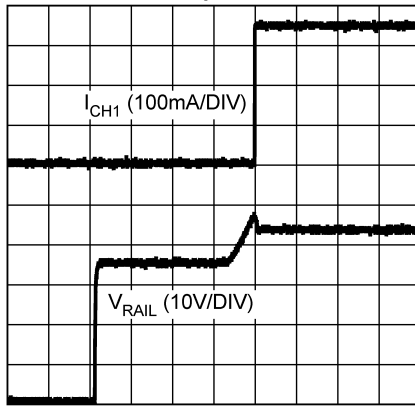


Figure 7.

**Typical Performance Characteristics (continued)**

All curves taken at  $V_{IN} = 48V$  with configuration in typical application for driving twelve power LEDs with four output channels active and output current per channel = 350 mA.  $T_A = 25^\circ C$ , unless otherwise specified.

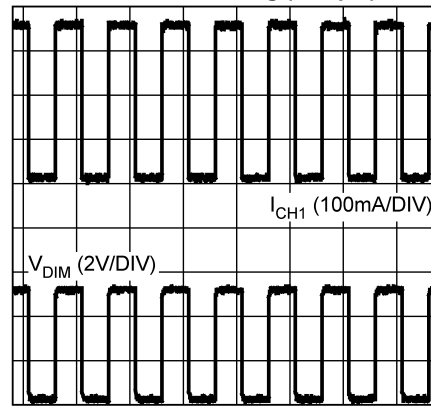
**Startup Waveforms**



200ms/DIV

**Figure 8.**

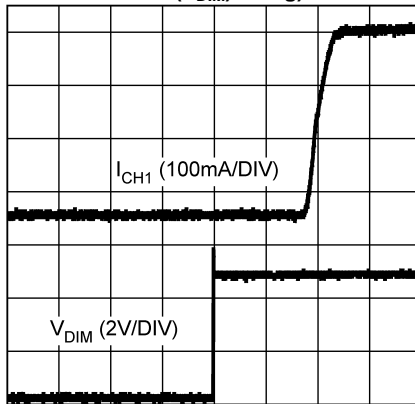
**PWM Dimming (DIM pin)**



4ms/DIV

**Figure 9.**

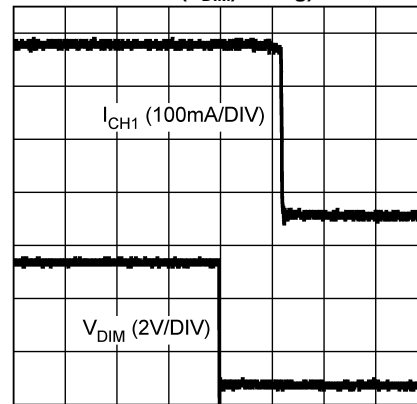
**PWM Dimming Delay Time ( $V_{DIM}$ ) rising)**



1us/DIV

**Figure 10.**

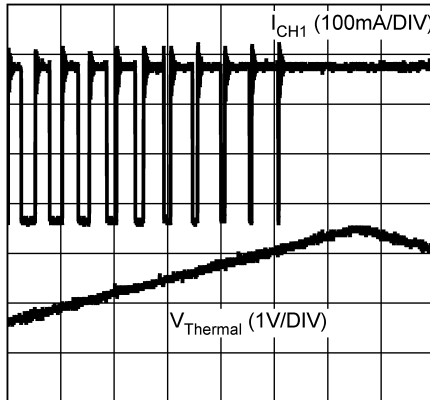
**PWM Dimming Delay Time ( $V_{DIM}$ ) falling)**



1us/DIV

**Figure 11.**

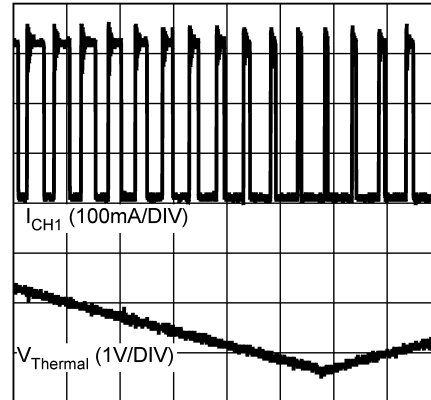
**Thermal Foldback Dimming ( $V_{THERMAL}$ ) rising)**



400us/DIV

**Figure 12.**

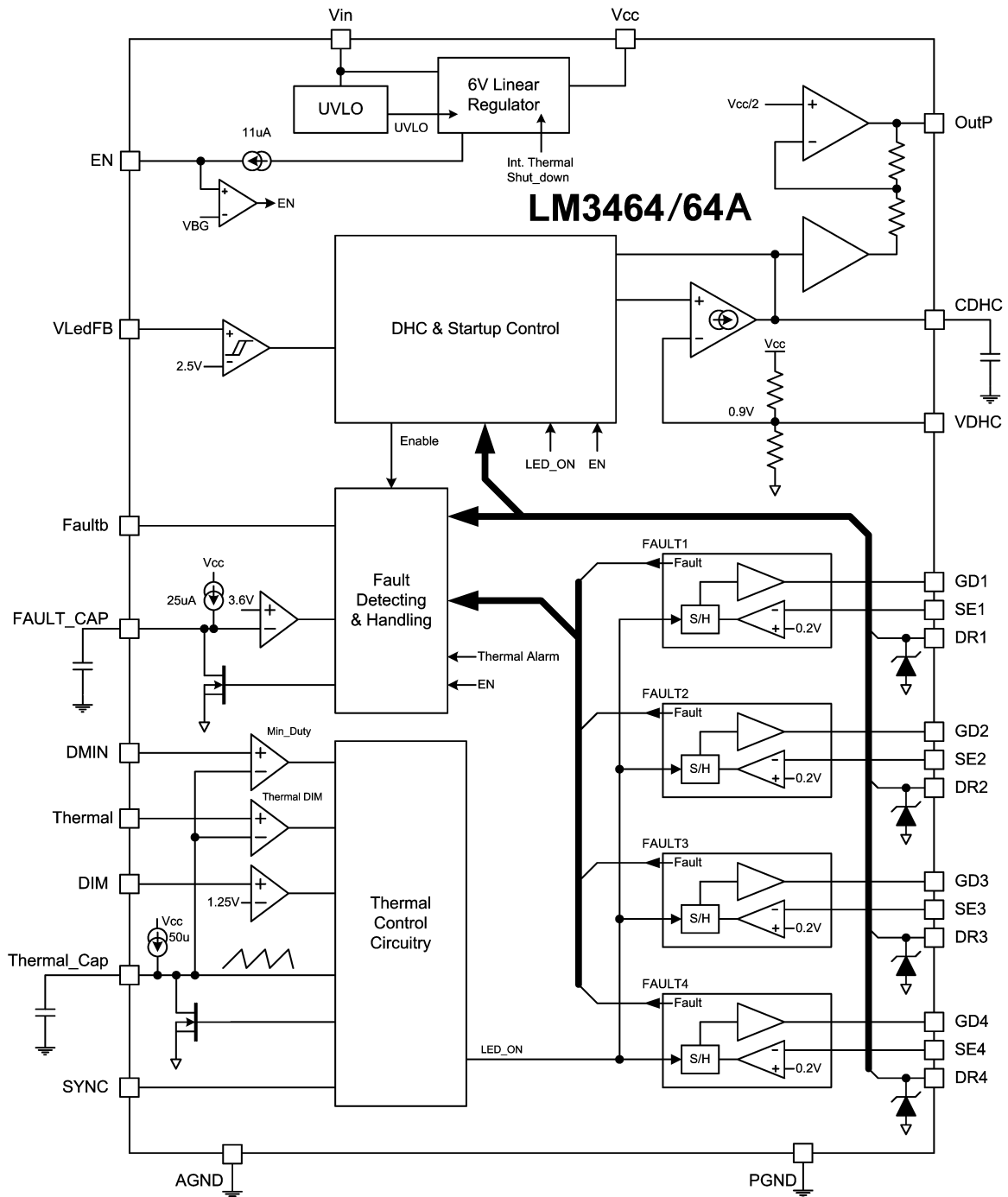
**Thermal Foldback Dimming ( $V_{THERMAL}$ ) falling)**



400us/DIV

**Figure 13.**

**BLOCK DIAGRAM**





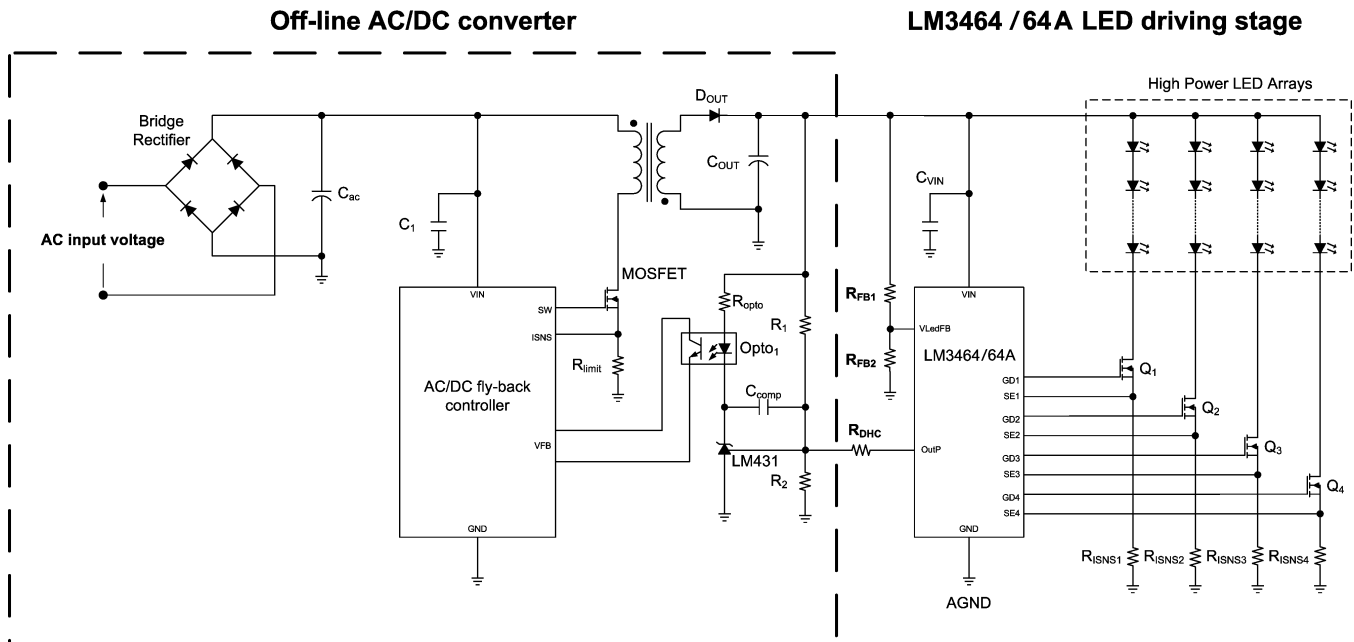


Figure 14. Typical Application Circuit with Fly-Back AC/DC Converter

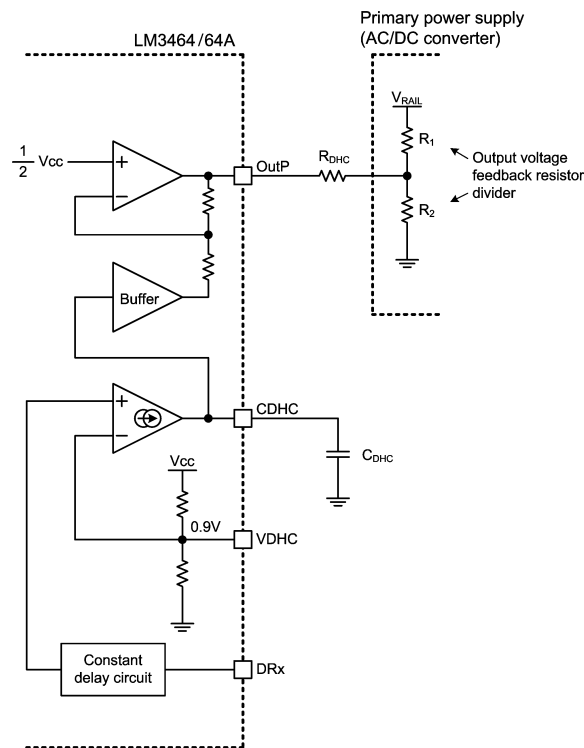
## OVERVIEW

The LM3464/64A is a four channel linear current regulator designed for LED lighting systems with wide input voltage range, high speed PWM and thermal foldback dimming control interface. The LM3464/64A incorporates a Dynamic Headroom Control (DHC) technology which maximizes overall efficiency of the lighting system by adjusting the output voltage of the primary power source dynamically. Linear current regulation secures high accuracy output current, LED and system reliability. High speed PWM dimming provides the flexibility of brightness control while maintaining constant color temperature of the light. The thermal foldback feature enables the LM3464/64A to manage the temperature of the LED heat sink or system chassis with a simple NTC/PTC temperature sensor. The thermal foldback input can also be used as an analog dimming control input to adapt to other sensors easily, such as ambient light sensor.

### Dynamic Headroom Control (DHC)

#### Operation Principles of DHC

Dynamic Headroom Control is a technology that aims at maximizing the overall system efficiency by altering the supply voltage to the LED(s) dynamically in respect to the characteristics of the LED(s). In the LM3464/64A, DHC is facilitated by connecting a resistor in between the OutP pin of the LM3464/64A and the voltage feedback node of the primary power supply (AC/DC) as shown in Figure 15.



**Figure 15. Circuitry of the DHC Mechanism**

For example, in steady state, when all the output channels are in regulation and the forward voltage of any LED string decreases due to temperature raise, the drain voltage of the corresponding channel (DRx) increases to exceed the default 0.9V typical headroom voltage in order to maintain constant output current. As the drain voltage increases, the voltage of CDHC increases and the current sink into the OutP pin decreases. This will finally result in decrease of rail voltage ( $V_{RAIL}$ ) until the corresponding DRx voltage returns to minimum level.

## System Operation

In order to provide failure protection to the LEDs, the rail voltage is pulled up by the LM3464/64A from a relatively low voltage level at system startup until the rail voltage reaches certain preset level. Figure 16 shows the change of the rail voltage of the LM3464/64A LED lighting system upon the primary power source is powered.

The Lm3464/64A can be interfaced to an off-the-shelf converter to form a LED lighting system with simple connections. Figure 14 shows the typical application circuit of a lighting system using the LM3464/64A with a fly-back AC/DC converter. In this application, the output voltage of the AC/DC converter is mainly governed by a voltage reference IC, LM431 and a voltage divider consists of  $R_1$  and  $R_2$ . The LM3464/64A influences the output voltage of the AC/DC converter by sinking current from the junction of the voltage divider ( $R_1$  and  $R_2$ ) to realize dynamic headroom control.

The operation of the LM3464/64A upon startup can be divided into several phases according to the changes of the rail voltage as shown in Figure 16. When the AC/DC converter is powered, the rail voltage increases and stays steady when its native nominal output voltage,  $V_{RAIL(nom)}$  is reached. This voltage is defined by the output voltage feedback resistor divider of the AC/DC converter. At this voltage level, the LM3464/64A is powered already. After certain delay defined by  $C_{DHC}$ , the LM3464/64A starts to push the rail voltage up by sinking current into the OutP pin from the voltage feedback node of the AC/DC converter until the rail voltage reaches  $V_{DHC\_READY}$ .  $V_{DHC\_READY}$  is the highest rail voltage in normal operation and should be enough to turn on all the LED strings with current regulation (defined by  $R_{SNSX}$ ). As  $V_{RAIL}$  reaches  $V_{DHC\_READY}$ , the LM3464/64A turns on all the output channels. This discharges the output capacitor of the primary power supply and causes the rail voltage to decrease to certain level that system efficiency is maximized ( $V_{LED}$ ).

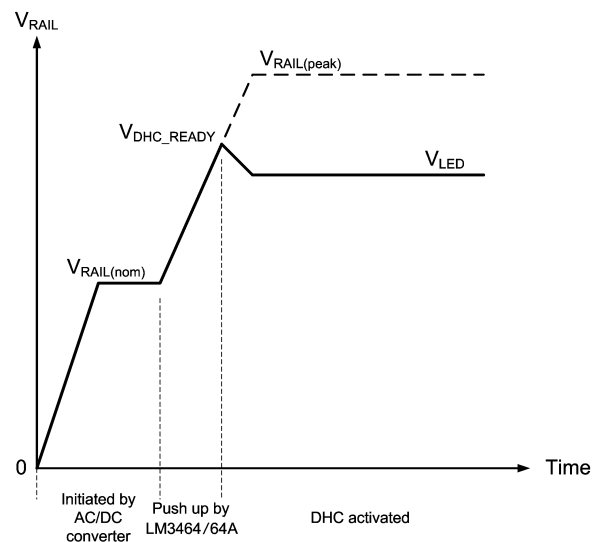


Figure 16. Changes of Rail Voltage Upon Power Up

## APPLICATION INFORMATION

### SETTING ( $V_{RAIL(nom)}$ )

The nominal rail voltage  $V_{RAIL(nom)}$  is the nominal output voltage of the primary power supply (AC/DC) prior to DHC begins. The selection of  $V_{RAIL(nom)}$  is primarily depend on the forward voltages of the LED arrays and should follow the equation shows below:

$$V_{RAIL(nom)} \leq V_{f(all\_temp)} + V_{VDHC} \quad (1)$$

In the equation,  $V_{f(all\_temp)}$  is the lowest forward voltage among all the LED strings under all possible temperature. And  $V_{VDHC}$  is the voltage headroom which equals to the voltage at the VDHC pin. Normally, the forward voltage of an LED drops as the ambient temperature increases. This could create large variation of total forward voltage of a LED sting under different temperature. In order to ensure proper system startup, the variation of LED forward voltage against temperature must be considered in calculations.

### SETTING $V_{DHC\_READY}$ AND $V_{RAIL(peak)}$

DHC begins when the voltage at VLedFB pin reaches 2.5V, which is defined by the values of  $R_{FB1}$  and  $R_{FB2}$ :

$$2.5V = V_{DHC\_READY} \times \frac{R_{FB2}}{R_{FB1} + R_{FB2}} \quad (2)$$

Where

$$V_{DHC\_READY} < V_{RAIL(peak)} \quad (3)$$

At this stage, the current of the LED strings are regulated and the rail voltage decreases in order to maintain minimum voltage drop and power dissipation on the MOSFETs.

In case the OutP pin is accidentally shorten to ground, the rail voltage will increase and end up exceeds  $V_{DHC\_READY}$ . To avoid damaging the AC/DC converter, the possible peak output voltage,  $V_{RAIL(peak)}$  can be roughly defined by the forward voltage of the LED strings and must set below the rated voltage of the components at the output of the AC/DC converter. In order to limit the power dissipation on the external MOSFETs,  $V_{RAIL(peak)}$  is set to to no more than 10VDC higher than the forward voltage of the LED string. The following equations define the maximum output voltage of the AC/DC converter that can be pushed up by the LM3464/64A:

$$V_{RAIL(peak)} = V_{R1} + V_{REF(AC/DC)} = (R_1 \times I_{R1}) + V_{REF(AC/DC)} \quad (4)$$

for  $V_{REF(AC/DC)} = 2.5V$

$$I_{R1} = \frac{V_{RAIL(peak)} - 2.5V}{R_1} \quad (5)$$

also since

$$I_{R1} = \frac{V_{REF(AC/DC)}}{R_{D2}} + \frac{V_{REF(AC/DC)} - V_{D1} - V_{outP(min)}}{R_{DHC}} \quad (6)$$

$$= \frac{2.5V}{R_{D2}} + \frac{2.5V - 0.5V - 0.3V}{R_{DHC}}$$

$$R_{DHC} = \frac{1.7V}{\left(I_{R1} - \frac{2.5V}{R_2}\right)} \quad (7)$$

As the system enters steady state, the rail voltage  $V_{RAIL}$  decreases and finally settles to an optimal level that maintains the maximum power efficiency of the system. The voltage level of  $V_{RAIL}$  under steady state can be calculated following this equation:

$$V_{RAIL} = V_{f(highest)} + V_{VDHC} \quad (8)$$

In the equation,  $V_{RAIL}$  is the rail voltage in steady state and  $V_{f(highest)}$  is the total forward voltage of the LED string which carry the highest forward voltage among the LED stings.

$V_{VDHC}$  is the voltage at the VDHC pin. This voltage decides the headroom voltage for the LM3464/64A driver stage and equals to the minimum  $V_{DRX}$  among the drain voltages of the MOSFETs under steady state. The VDHC pin is internally biased to 0.9V which also set the default voltage headroom to 0.9V. In applications that the output of the AC/DC converter contains more than 0.9V peak-to-peak ripple voltage, the voltage headroom can be increased by applying external bias to the VDHC pin.

## DEFINING VOLTAGE HEADROOM

The voltage headroom is the rail voltage margin that reserve for precision linear current regulation under steady state. Under steady state, the voltage headroom is always minimized by the LM3464/64A to reduce power losses on the MOSFETs till one of the drain voltage ( $V_{DRX}$ ) of the MOSFETs equals the voltage on VDHC pin (0.9V typical).

With external bias, the voltage of the VDHC pin can be adjusted up or down to adapt to different types of primary power supply. Figure 17 shows a simple resistor based biasing circuit that derives biasing voltage from the output of the internal voltage regulator, the VCC pin.

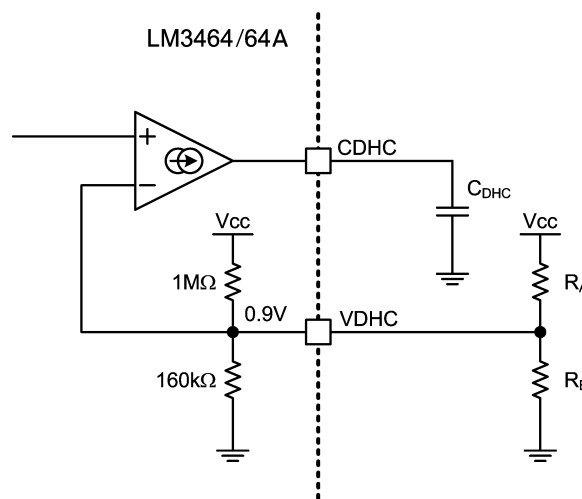


Figure 17. Adjusting Voltage Headroom with Resistors

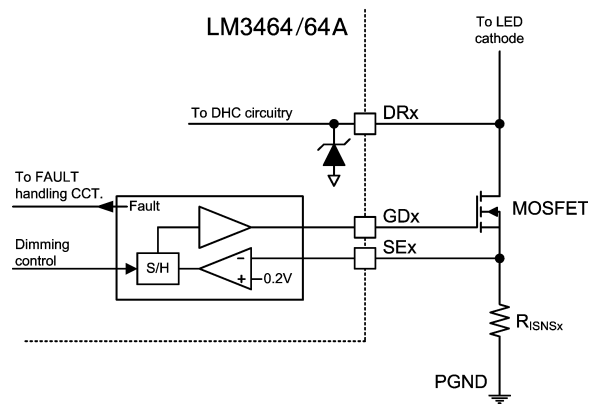
With the additional resistors, the VDHC pin voltage is adjustable in between 0.8V and 2V. The values of  $R_A$  and  $R_B$  should be at least 10 times lower than the typical values of the internal resistor divider of the VDHC pin (see Figure 17). However, it is recommended not to set the voltage headroom too low because the ripple voltage of the primary power supply output may cause visible flicker due to insufficient voltage headroom. Thus the voltage headroom follows this equation:

$$V_{DHC} = \frac{160 \text{ k}\Omega // R_B}{160 \text{ k}\Omega // R_B + 1 \text{ M}\Omega // R_A} \times V_{CC} \quad (9)$$

where  $0.8V < V_{VDHC} < 2V$

## SETTING LED CURRENT

The LED current regulating mechanism of the LM3464/64A driver stage contains four individual LED current regulators. Every LED current regulator is composed of an external MOSFET ( $Q_1$ - $Q_4$ ), a current sensing resistor ( $R_{ISNS1}$ - $R_{ISNS4}$ ) and an amplifier inside the LM3464/64A that monitors the feedback voltage from the current sensing resistor. The integrated amplifier compares the voltage across current sensing resistors ( $R_{ISNS1}$ - $R_{ISNS4}$ ) to a 200mV typical reference voltage and controls the gate voltage of the MOSFETs ( $Q_1$ - $Q_4$ ) to realize linear current regulations. Figure 18 shows the simplified circuit of the linear LED current regulators.

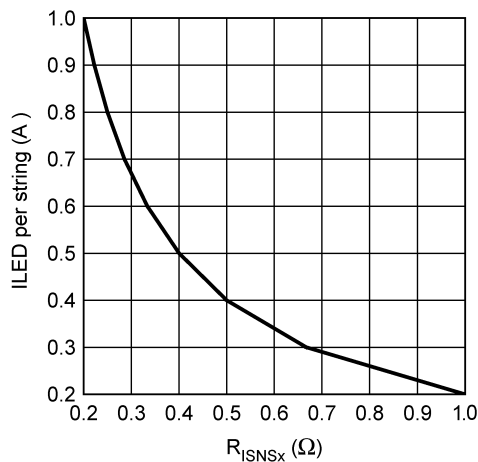


**Figure 18. Linear LED Current Regulator**

The driving currents of the LED strings are defined by the values of R<sub>ISNS1</sub> to R<sub>ISNS4</sub> individually. The LED current and the value of R<sub>ISNSx</sub> are related by the following equation:

$$I_{LED} = \frac{200}{R_{ISNSx}} \text{ mA} \quad (10)$$

Since the accuracy of the LED currents are dependent on the tolerance of R<sub>ISNSx</sub>, the R<sub>ISNSx</sub> to recommended to be thick carbon film resistors with no more than 1% tolerance and adequate rated power to the desired LED current.

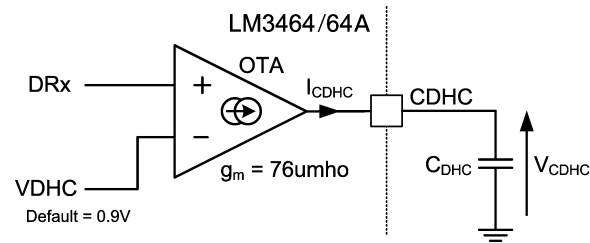


**Figure 19. LED Current vs R<sub>ISNSx</sub>**

## RESPONSE OF THE LM3464/64A DRIVER STAGE

In order to ensure good operation stability of the entire system, the response of the LM3464/64A circuitry must be set slower than the primary power supply. The response of the LM3464/64A is decided by the value of the capacitor, C<sub>DHC</sub>. In general, a higher capacitance C<sub>DHC</sub> will result in slower response of the LM3464/64A driver stage.

Generally, a first order integrator that consists of C<sub>DHC</sub> and a transconductance amplifier with g<sub>m</sub> = 76μmho and +/- 15μA current limit as shown in Figure 20 defines the frequency response of the LM3464/64A driver stage.



**Figure 20. Simplified Circuit of the Frequency Response Setting Mechanism**

The transconductance amplifier serves as a voltage to current converter that charges  $C_{DHC}$  with a current proportional to the difference in voltage between the DRx and VDHC pins.

As the voltage of the OutP pin is equal to  $V_{CC} - V_{CDHC}$ , the capacitance of  $C_{DHC}$  decides the rate of change of the OutP pin voltage and eventually limits the frequency response of the whole system. The higher capacitance the  $C_{DHC}$  has, the longer time the OutP pins takes for certain voltage change. Thus the value of  $C_{DHC}$  decides the response of the LM3464/64A driver stage.

If the response of the LM3464/64A driver stage is set faster than that of the primary power supply, the entire system will suffer from unstable operation. However, setting the response of the LM3464/64A driver stage unnecessarily slow will worsen transient performance of the system and false trigger the fault detection mechanism of the LM3464/64A. Practically, the minimum value of the  $C_{DHC}$  can be found out by means of 'try and error'. In most cases, a 1uF 16V ceramic capacitor is a good starting point that sets the response of the LM3464/64A driver stage slow enough for initial trial.

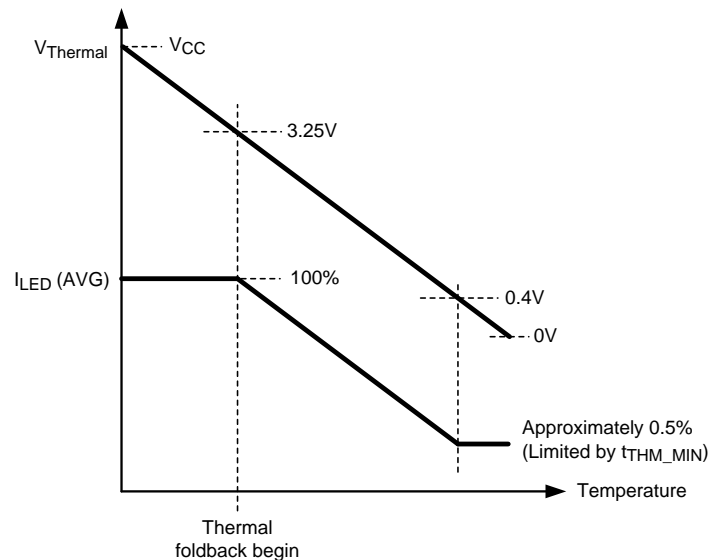
The value of the  $C_{DHC}$  capacitor can be reduced to speed up the response of the LM3464/64A driver stage. Otherwise, in case the system is unstable with 1uF  $C_{DHC}$ , the capacitance of the  $C_{DHC}$  capacitor should be increased until the entire system get into stable operation.

This approach is effectively setting the cut-off frequency of the LM3464/64A driver stage lower than that of the primary power supply. Usually, setting the cut-off frequencies of the two stages apart can help avoiding unstable operation. The cut-off frequency of the LM3464/64A driver stage is governed by the follow equation:

$$f_{LM3464(-3\text{ dB})} = \frac{1}{2\pi(1.2 \times 10^6) \times C_{DHC}} \quad (11)$$

## THERMAL FOLDBACK INTERFACE

The thermal foldback function of the LM3464/64A helps in reducing the average LED currents and prolonging the LED lifetime under high temperature. By applying a DC voltage to the Thermal pin, the average output current is adjustable from 100% down to a minimum value limited by the discharge time of the  $C_{THM}$ . The Thermal pin of the LM3464/64A is an analog input for thermal foldback control that accepts a DC voltage in the range of 0V to  $V_{CC}$ . The thermal foldback control circuitry reduces the average LED currents by means of PWM dimming as shown in [Figure 21](#):



**Figure 21. Average LED Current Reduces According to  $V_{\text{Thermal}}$**

The dimming frequency is defined by a sawtooth waveform that generated by charging and discharging the capacitor  $C_{\text{THM}}$  which connects across the Thermal\_Cap pin and GND. The LM3464/64A charges the  $C_{\text{THM}}$  up to 3.25V with 50uA constant current and discharge the  $C_{\text{THM}}$  by pulling the Thermal\_Cap pin to ground through a 125Ω (typ.) resistor until the pin voltage reaches 0.4V ( $V_{\text{CTHM-MIN}}$ ). When the voltages of the Thermal and DMIN pins are both below 0.4V, the minimum dimming on time equals the discharge time of the  $C_{\text{THM}}$  following the equation:

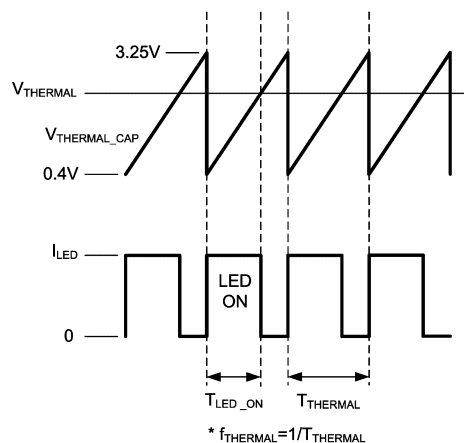
$$t_{\text{THM\_MIN}} = 262 \times C_{\text{THM}} \text{ in second} \quad (12)$$

Thus the minimum dimming duty cycle for thermal foldback that being restricted by the discharge time of  $C_{\text{THM}}$  is approximately 0.5%:

$$D_{\text{THM\_MIN}} = (t_{\text{THM\_MIN}} \times f_{\text{Thermal\_foldback}}) \times 100\%$$

$$\text{Approximately equal to 0.5\%} \quad (13)$$

By comparing the voltage at the Thermal pin to the sawtooth voltage being generated at the Thermal\_Cap pin of the LM3464/64A, a PWM dimming signal for thermal foldback is generated as shown in [Figure 22](#):



**Figure 22. Signals Facilitating Thermal Foldback Control**



If the voltage at the Thermal pin is driven to exceed 3.25V, all output channels will be enabled with 100% thermal dimming duty cycle. If the Thermal pin voltage is set below 0.4V, all output channels will be disabled with 0% thermal dimming duty cycle. The dimming frequency and duty cycle with thermal foldback control are governed by the following equations:

$$\text{thermal-foldback} = \frac{50 \mu\text{A}}{(3.25 - 0.4) \times C_{\text{THM}}} \quad (14)$$

$$D_{\text{Thermal-foldback}} = (T_{\text{LED\_ON}} \times f_{\text{Thermal-foldback}}) \times 100\% \quad (15)$$

$$= [(V_{\text{THERMAL}} - 0.4) \times 35]\% \quad (16)$$

$$\text{for } 0.4 \leq V_{\text{THERMAL}} \leq 3.25\text{V} \quad (17)$$

### SETTING MINIMUM THERMAL DIMMING DUTY CYCLE

In applications that need to ensure minimum illuminance under high temperature environments, the minimum dimming duty cycle for thermal foldback may need to be limited. Such limit is defined by the voltage at the DMIN pin. When the Thermal pin voltage falls below the voltage at the DMIN pin, the thermal foldback dimming duty cycle will maintain at the level which set by the voltage of the DMIN pin ( $V_{\text{DMIN}}$ ), as shown in Figure 23.

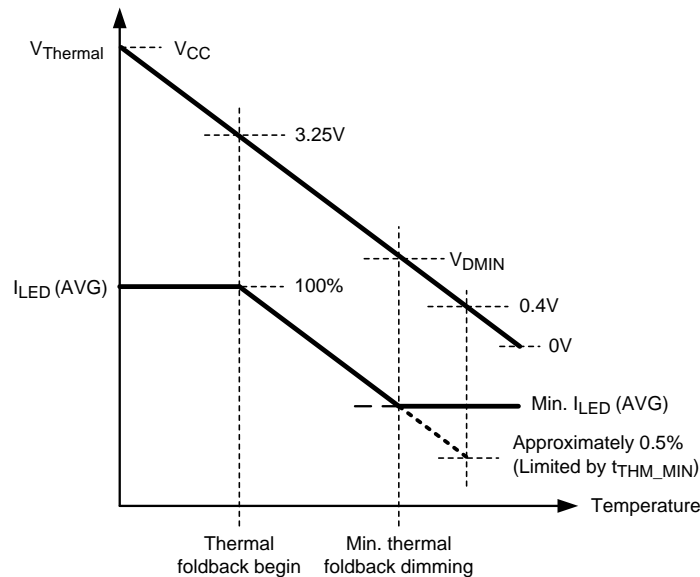


Figure 23. Thermal Foldback Control with Minimum Dimming Duty Cycle Limit

To define the minimum thermal dimming duty cycle,  $V_{\text{DMIN}}$  should be set in between 0.4V to 3.25V. The minimum duty cycle is governed by the following equation:

$$D_{\text{MINIMUM}} = [(V_{\text{DMIN}} - 0.4) \times 35]\% \quad (18)$$

$$\text{for } 0.4 \leq V_{\text{DMIN}} \leq 3.25\text{V} \quad (19)$$

When  $V_{\text{DMIN}}$  is below 0.4V (e.g. connect to GND), the minimum thermal dimming duty cycle limit is disabled. In applications that thermal foldback control is not required, the DMIN pin can be tied to GND to reduce power consumption.

### PWM DIMMING

The LM3464/64A provides a DIM pin that accepts TTL logic level signal for PWM dimming. When the DIM pin is pulled low, all LED current regulators will turn off while maintaining  $V_{\text{CC}}$  regulator and part of the internal circuitries operating. External pull up resistor is required if the DIM pin is driven by an open collector / drain driver. PWM dimming ensures uniform color temperature of the light throughout the entire dimming range. The average current of every output channel is decided by the dimming duty cycle and follows the equation below:

$$I_{\text{LED(AVG)}} = D_{\text{PWM}} \times I_{\text{LED}} \quad (20)$$

## PWM DIMMING CONTROL WITH THERMAL FOLDBACK

The PWM dimming control can coexist with thermal foldback by applying PWM dimming control signal and thermal control signal to the DIM and Thermal pins concurrently. Normally, the dimming frequency for thermal foldback control should be much higher than the frequency of the PWM dimming control signal. Figure 24 presents the relationship among  $V_{\text{Thermal}}$ ,  $V_{\text{Thermal\_Cap}}$ ,  $V_{\text{DIM}}$  and  $I_{\text{LED}}$ . As shown in the figure, when thermal foldback is functioning, the average output current can be further decreased linearly according to the duty cycle of the PWM dimming signal being applied to the DIM pin. In order to synchronize the dimming signals, the  $C_{\text{THM}}$  is discharged on every rising edge of the PWM dimming signal on DIM pin, notice as  $t_1$ ,  $t_2$  and  $t_3$  in Figure 24.

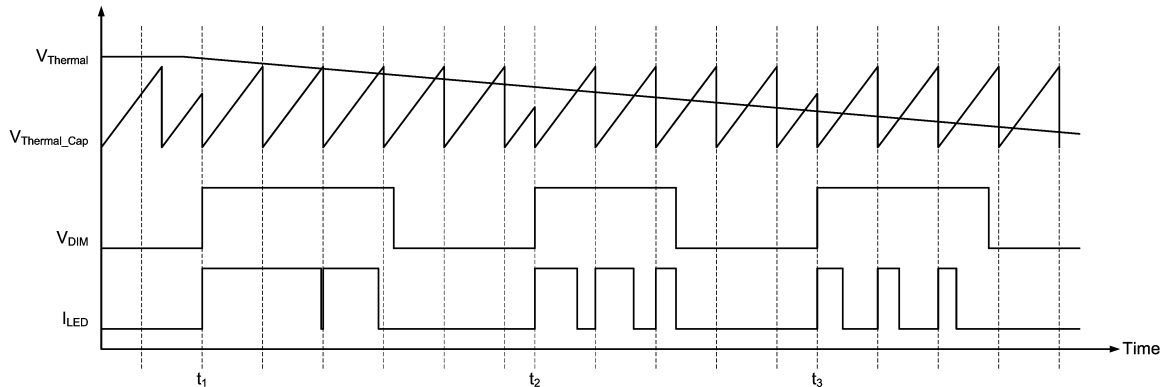


Figure 24. Thermal Foldback + PWM Dimming Control

## LOW POWER STANDBY

The LM3464/64A will enter low power standby mode when the EN pin is pulled to GND. The EN pin is internally biased thus no external pull-up resistor or bias is required. Under standby mode, all the output channels are cut-off and part of the internal circuitries are disabled to maintain low power consumption. Upon the EN pin is pulled low, the OutP pin stops sinking current from the feedback node of the primary power stage. This causes the rail voltage fall back to  $V_{\text{RAIL(nom)}}$  slowly as the output capacitors of the primary power supply are being discharged by the LEDs. Pulling the EN pin low will not disable the  $V_{\text{CC}}$  regulator. When the EN pin is released (floating), the LM3464/64A exits low power standby mode and the startup sequence begins as described in Figure 16.

## FAULT HANDLING and INDICATION

The LM3464/64A features a complete mechanism for fault handling and indication. The LM3464/64A detects LED failures and raises fault indication signal at the Faultb pin upon open or short circuits of LED strings, insufficient supply voltage and so on. In order to avoid false triggering the fault detection circuitry, the LM3464/64A features a timer for fault recognition. When a fault condition arises and sustains longer than the time constant preset by the capacitor,  $C_{\text{FLT}}$ , a fault is confirmed. The Faultb pin is then pulled low as an indication. The time constant for fault detection is defined by the value of the capacitor connects across the FAULT\_CAP pin and GND,  $C_{\text{FLT}}$ . Normally, a 2.2 nF  $C_{\text{FLT}}$  that set a 264 us delay time is suitable for most application. For those applications with slow response primary power supply, the value of  $C_{\text{FLT}}$  may need to increase accordingly. The time delay for fault detection is governed by the following equation:

$$T_{\text{FAULT}} = \frac{C_{\text{FLT}} \times 3.0\text{V}}{25 \mu\text{A}} \quad (21)$$

## OPEN CIRCUIT OF LED STRINGS

Detection of LED open circuit is achieved by detecting the voltages of the SEx pin and the internal gate control signal being fed to the internal MOSFET gate driver. When a LED string is open circuit, the  $V_{SEx}$  pin is pulled down to below 30mV by the current sensing resistor. As  $V_{SEx}$  falls below its regulated level, the LM3464/64A increases the gate voltage of the corresponding MOSFET ( $V_{GDx}$ ) in order to maintain current regulation. Thus, the requirement for LED open circuit is  $V_{SEx}$  below 30mV and internal gate voltage reaches its maximum (at  $V_{GDx}$  about 5V). When the requirement of LED open fault is fulfilled, the LM3464/64A begins to charge up the  $C_{FLT}$ . When the voltage of the FAULT\_CAP reaches 3V, and the condition of open fault retains, an open fault is confirmed.

After an open fault is confirmed, the failed channel(s) will be disabled and excluded from DHC loop. To reactivate the disabled channel(s), the EN pin can be pulled to GND for a soft reset or re-power the primary power supply for a system reset. Either reset methods results in a system restart with startup sequence shows in [Figure 16](#).

## SHORT CIRCUIT OF LED STRINGS

If any LED string experiences partially short circuit after normal system startup, the drain voltage (DRx) of the corresponding channel(s) will increase so as to maintain correct current regulation. When drain voltage increases up to 8.4V higher than the drain voltages of any other channels, the shortened channel will be latched off and excluded from the DHC loop to avoid further damages. Once a short fault is confirmed, the Faultb pin will be pulled low no matter it is due to failure of the power source or shortening of LED strings. When a short circuit of LED sting is confirmed, the failed channel(s) will be disabled and excluded from DHC loop. The disabled channels can be reactivated by either pulling the EN pin to GND or system re-powering.

## DRx PIN OVER-VOLTAGE PROTECTION

The LM3464/64A features a over-voltage protection function that prevents damaging of the external MOSFETs due to short circuit of LED string(s). When the voltage of any DRx pin reaches 19V typical, the fault detection timer is triggered with the output current of the FAULT\_CAP pin increases by 4 times ( $I_{FAULT-CAP-OVP}$ ) and results in fault detection time 4 times shorter. If a over-voltage of any DRx pin is confirmed, the particular channel will be latched off and excluded from DHC loop until the EN pin is pulled low (soft reset) or system re-powering is undertaken.

## DRIVING LESS THAN FOUR LED STRINGS

The LM3464/64A allows users to disable the unused output channels. Any output channel without a LED string connected or with DRx and SEx pins floating will be disabled at system startup. A disabled channel will be excluded from the DHC loop and will not contribute headroom control signal to the LM3464/64A. This function is applicable to both single LM3464/64A and cascade operation modes.

## EXPANDING NUMBER OF OUTPUT CHANNEL

The LM3464/64A can be cascaded to expand the number of output channel. Bases on the master-slave architecture, one of the LM3464/64A in the system must be set to master mode and the rest must be set to slave mode. [Figure 27](#) shows an example application circuit that provides eight output channels.

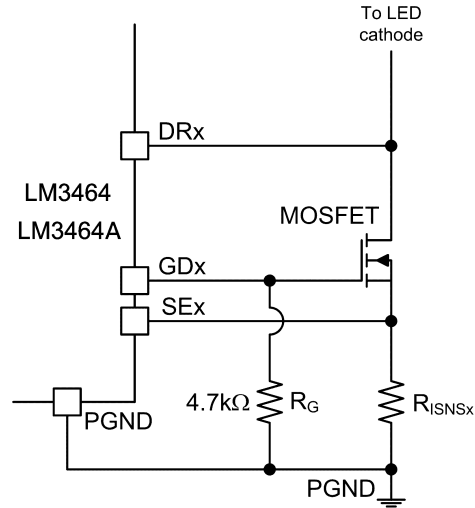
To enable cascade operation, the SYNC pin of the master LM3464/64A should connect to the DIM pin of the first slave device and similarly the SYNC pin of such slave device should connect to its down stream slave device for startup synchronization. In addition, the OutP pins of all the LM3464/64A have to tie up though a diode and resistor  $R_{DHC}$  to the voltage feedback node of the primary power supply to accomplish dynamic headroom control, as shown in [Figure 27](#).

The slave devices can only be commanded by the master LM3464/64A. With the master and slave devices linked up, the information of startup synchronization, thermal foldback and PWM dimming controls are gathered by the master device and distribute stage by stage through the SYNC pin.

To set a LM3464/64A in master mode, the voltage of the VLedFB pin must be set below 3.25V. When the VLedFB pin is connected to VCC, the device is in slave mode. In slave mode, local thermal foldback and PWM controls are overridden by the packaged synchronization signal delivered from the master.

## CONNECTION TO LED ARRAYS

When LEDs are connected to the LM3464/64A driver stage through long cables, the parasitic components of the cable harness and external MOSFETs may resonate and eventually lead to unstable system operation. In applications that the cables between the LM3464/64A driver circuit and LED light engine are longer than 1 meter, a 4.7k $\Omega$  resistor should be added across the GDx pins to GND as shown in [Figure 25](#).



**Figure 25. Additional Resistor Across GDx and SEx for Cable Harness Over 1m Long**

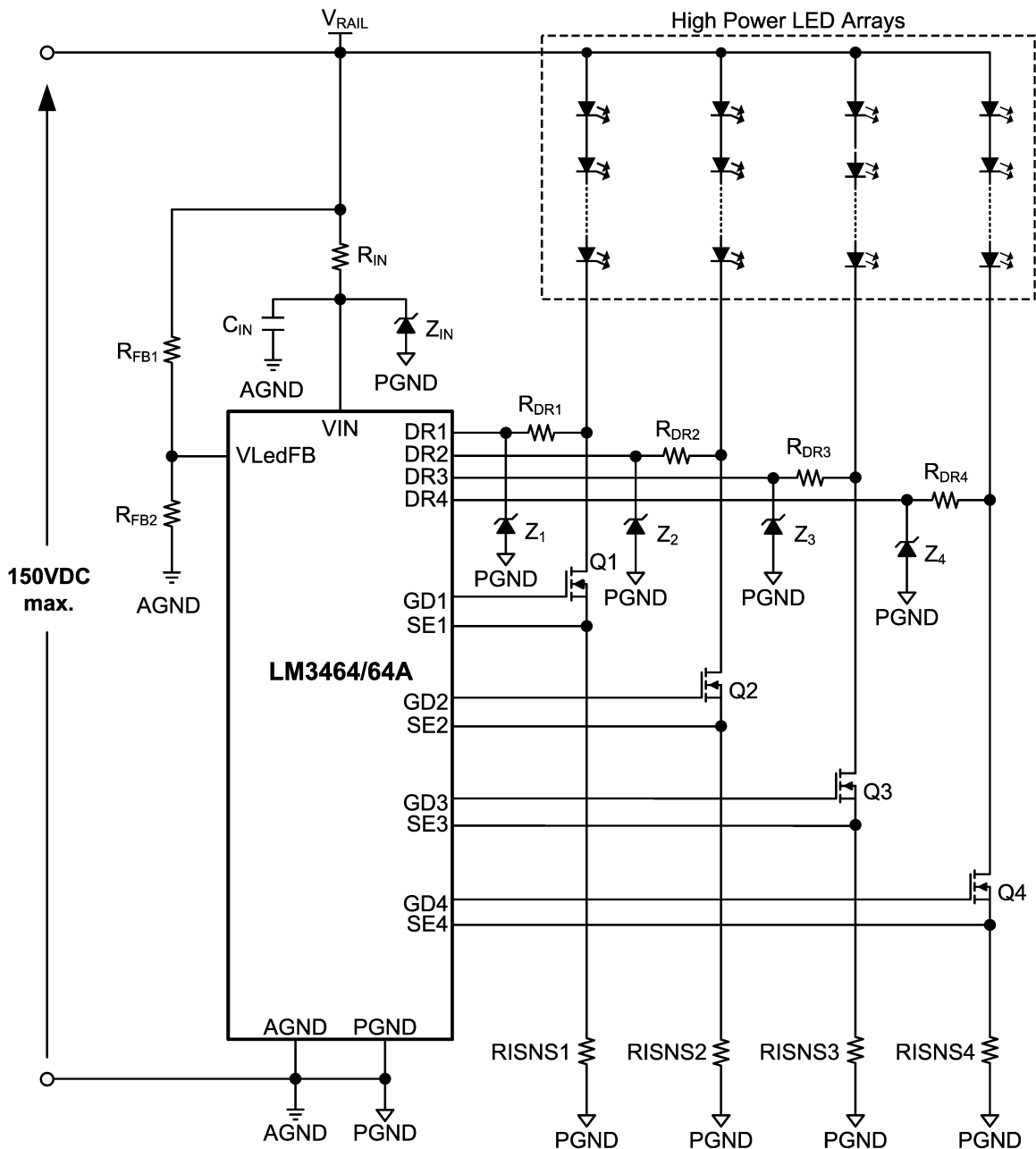


Figure 26. Additional Voltage Clamping Circuits for  $V_{RAIL(peak)} > 80V/95V$  (LM3464/64A)

### APPLICATIONS WITH HIGH RAIL VOLTAGE

The normal operation voltage of the LM3464 and LM3464A are rated to 80V and 95V respectively, applying voltage over the operation voltage limit to the LM3464/64A can damage the device permanently. In applications that the rail voltage is higher than the operation voltage limited of the device (80V for LM3464, 95V for LM3464A), voltage clamping circuits must be added externally to ensure the voltage limits of all the pins of the LM3464/64A are not violated. Figure 26 shows a typical application circuit with 150V peak rail voltage.

In Figure 26,  $Z_1, Z_2, Z_3, Z_4$  and  $Z_{IN}$  are zener diodes for clamping the DRx pin voltage and input voltage (VIN pin) of the LM3464/64A. The reverse voltage of the zener diodes must be below 80V for LM3464 and 95V for LM3464A. The resistors  $R_{DR1}, R_{DR2}, R_{DR3}, R_{DR4}$  and  $R_{IN}$  are resistors for absorbing the voltage difference between the clamping voltage of the zener diodes and the rail voltage.

### Calculating the Values of $Z_x$ and $R_{DRX}$ :

The resistance of the  $R_{DRX}$  must be properly selected according to the reverse current of the zener diode and input current of the DRx pins of the LM3464/64A to secure the allowable pin voltages are not violated. For instant, the DRx pins are required to clamp at 75V and a 500mW/75V zener diode CMHZ5267B from Central Semiconductor is used. The reverse current of the CMHZ5267B is specified 1.7mA at 75V zener voltage. The maximum allowable reverse current is 6.67mA as the power rating of the CMHZ5267B is 500mW.

Given that the input current of the DRx pins of the LM3464/64A at 100V is 63uA maximum, if the DRx pin voltage is below 100V the current flows into the DRx pin ( $I_{DRX}$ ) is below 63uA. In order to reserve operation margin for component variations,  $I_{DRX}$  is assumed equal to 63uA in the following calculations.

Because  $V_{RAIL(peak)}$  is the possible highest voltage at the DRx pins, the maximum resistance of  $R_{DRX}$  can be obtained following this equation:

$$R_{DRX} = \frac{V_{RAIL(peak)} - V_Z}{I_{DRX} + I_Z} \quad (22)$$

Where  $V_Z$  and  $I_Z$  are the reverse voltage and current of the zener diode  $Z_x$  respectively.

For  $V_{RAIL(peak)} = 150V$ , the maximum value of  $R_{DRX}$  is:

$$\begin{aligned} R_{DRX(max)} &= \frac{150V - 75V}{63\mu A + 1.7mA} \\ &= 42.5k\Omega \end{aligned} \quad (23)$$

And the minimum value of  $R_{DRX}$  is:

$$\begin{aligned} R_{DRX(min)} &= \frac{150V - 75V}{63\mu A + 6.67mA} \\ &= 11.14k\Omega \end{aligned} \quad (24)$$

Thus, the value of  $R_{DRX}$  must be selected in the range:

$$11.14k\Omega \leq R_{DRX} \leq 42.5k\Omega \quad (25)$$

To minimize power dissipation on the zener diodes, a standard 42.2k $\Omega$  resistor can be used for the  $R_{DRX}$ . Because the resistors,  $R_{DRX}$  are used to absorb the power being introduced by the voltage difference between  $V_{RAIL}$  and  $V_{Zx}$ , the maximum power dissipation on every  $R_{DRX}$  equals to:

$$\begin{aligned} P_{RDRX(max)} &= \frac{(V_{RAIL(peak)} - V_Z)^2}{R_{DRX}} \\ &= \frac{(150V - 75V)^2}{42.2k\Omega} \\ &= 133mW \end{aligned} \quad (26)$$

Thus, a standard 42.2k $\Omega$  resistor with 0.25W power rating (1206 package) and 1% tolerance can be used.

### Calculating the Values of $Z_{IN}$ and $R_{IN}$ :

Similar to the requirements of selecting the  $Z_x$  and  $R_{DRX}$ , the voltage at the VIN pin of the LM3464/64A is clamped to 75V by a voltage clamping circuit consists of  $Z_{IN}$  and  $R_{IN}$ . Because the maximum operating and shut-down current ( $V_{EN} < 2.1V$ ) are 3mA and 700uA respectively, in order to ensure the voltage of the VIN pin is clamped close to 75V even when the LM3464/64A is disabled, a 1.5W/75V zener diode CMZ5946B from Central Semiconductor is used to ensure adequate conduction current for  $Z_{IN}$ . The reverse current of the CMZ5946B is specified 5mA at 75V, so the allowable current flows through  $Z_{IN}$  is in between 5mA to 20mA.

The value of  $R_{IN}$  is governed by the following equations:

$$R_{IN} = \frac{V_{RAIL(peak)} - V_{ZIN}}{I_{IN} + I_{ZIN}} \quad (27)$$

Maximum value of  $R_{IN}$ :

$$R_{IN(max)} = \frac{150V - 75V}{3mA + 5mA} = 9.375k\Omega \tag{28}$$

Minimum value of  $R_{IN}$ :

$$R_{IN(min)} = \frac{150V - 75V}{3mA + 20mA} = 3.26k\Omega \tag{29}$$

So the value of  $R_{IN}$  must be in the range:

$$3.26k\Omega \leq R_{DRX} \leq 9.38k\Omega \tag{30}$$

To minimize power dissipations on both the  $Z_{IN}$  and  $R_{IN}$ , a standard 9.31k $\Omega$  resistor can be selected for the  $R_{IN}$ . Then the maximum power dissipation on  $R_{IN}$  is:

$$P_{RIN(max)} = \frac{(V_{RAIL(peak)} - V_{ZIN})^2}{R_{IN}}$$

$$= \frac{(150V - 75)^2}{9.38k\Omega} = 600mW \tag{31}$$

Thus, a standard 9.38k $\Omega$  resistor with 2512 package (1W) and 1% tolerance can be used.

### Additional Application Circuit

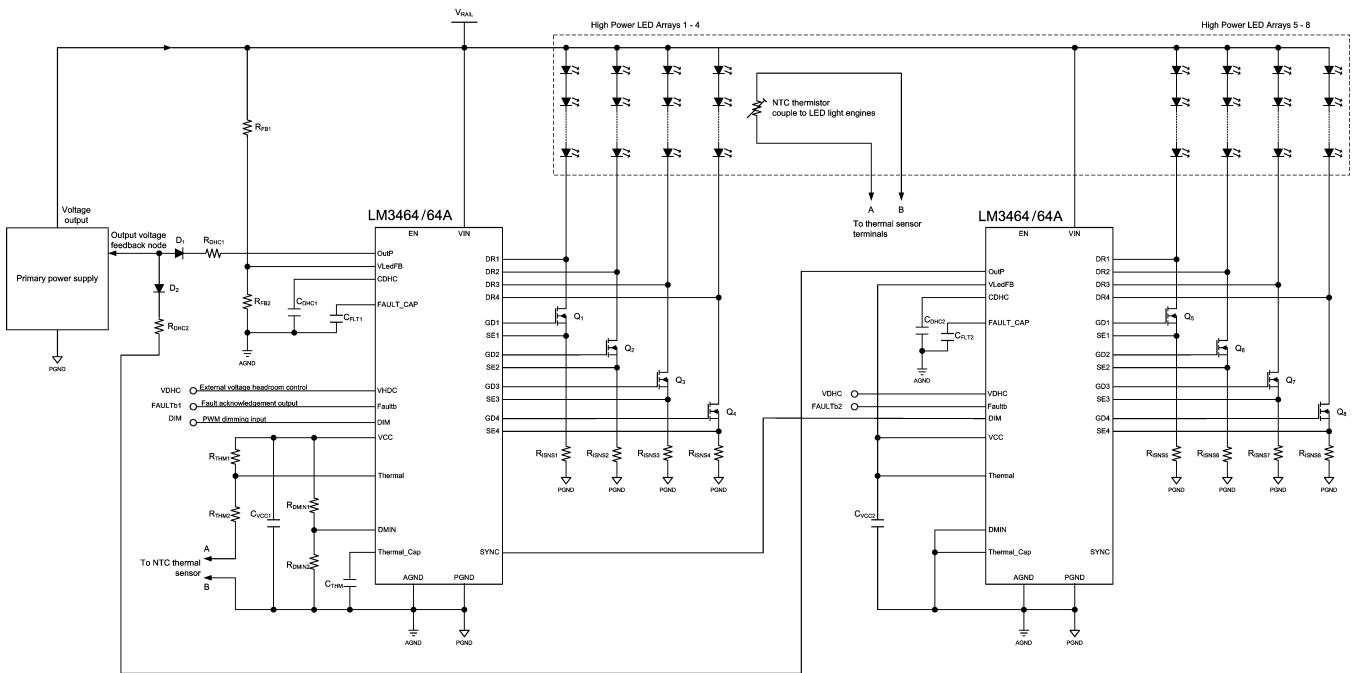


Figure 27. Cascade Operation with Thermal Foldback Control

**PACKAGING INFORMATION**

Orderable Device	Status (1)	Package Type	Package Drawing	Pins	Package Qty	Eco Plan (2)	Lead/Ball Finish	MSL Peak Temp (3)	Op Temp (°C)	Top-Side Markings (4)	Samples
LM3464AMH/NOPB	ACTIVE	HTSSOP	PWP	28	48	Green (RoHS & no Sb/Br)	CU SN	Level-1-260C-UNLIM		LM3464AMH	<a href="#">Samples</a>
LM3464AMHX/NOPB	ACTIVE	HTSSOP	PWP	28	2500	Green (RoHS & no Sb/Br)	CU SN	Level-1-260C-UNLIM		LM3464AMH	<a href="#">Samples</a>
LM3464MH/NOPB	ACTIVE	HTSSOP	PWP	28	48	Green (RoHS & no Sb/Br)	CU SN	Level-1-260C-UNLIM	-40 to 125	LM3464MH	<a href="#">Samples</a>
LM3464MHX/NOPB	ACTIVE	HTSSOP	PWP	28	2500	Green (RoHS & no Sb/Br)	CU SN	Level-1-260C-UNLIM	-40 to 125	LM3464MH	<a href="#">Samples</a>

(1) The marketing status values are defined as follows:

**ACTIVE:** Product device recommended for new designs.

**LIFEBUY:** TI has announced that the device will be discontinued, and a lifetime-buy period is in effect.

**NRND:** Not recommended for new designs. Device is in production to support existing customers, but TI does not recommend using this part in a new design.

**PREVIEW:** Device has been announced but is not in production. Samples may or may not be available.

**OBSOLETE:** TI has discontinued the production of the device.

(2) Eco Plan - The planned eco-friendly classification: Pb-Free (RoHS), Pb-Free (RoHS Exempt), or Green (RoHS & no Sb/Br) - please check <http://www.ti.com/productcontent> for the latest availability information and additional product content details.

**TBD:** The Pb-Free/Green conversion plan has not been defined.

**Pb-Free (RoHS):** TI's terms "Lead-Free" or "Pb-Free" mean semiconductor products that are compatible with the current RoHS requirements for all 6 substances, including the requirement that lead not exceed 0.1% by weight in homogeneous materials. Where designed to be soldered at high temperatures, TI Pb-Free products are suitable for use in specified lead-free processes.

**Pb-Free (RoHS Exempt):** This component has a RoHS exemption for either 1) lead-based flip-chip solder bumps used between the die and package, or 2) lead-based die adhesive used between the die and leadframe. The component is otherwise considered Pb-Free (RoHS compatible) as defined above.

**Green (RoHS & no Sb/Br):** TI defines "Green" to mean Pb-Free (RoHS compatible), and free of Bromine (Br) and Antimony (Sb) based flame retardants (Br or Sb do not exceed 0.1% by weight in homogeneous material)

(3) MSL, Peak Temp. -- The Moisture Sensitivity Level rating according to the JEDEC industry standard classifications, and peak solder temperature.

(4) Only one of markings shown within the brackets will appear on the physical device.

**Important Information and Disclaimer:** The information provided on this page represents TI's knowledge and belief as of the date that it is provided. TI bases its knowledge and belief on information provided by third parties, and makes no representation or warranty as to the accuracy of such information. Efforts are underway to better integrate information from third parties. TI has taken and continues to take reasonable steps to provide representative and accurate information but may not have conducted destructive testing or chemical analysis on incoming materials and chemicals. TI and TI suppliers consider certain information to be proprietary, and thus CAS numbers and other limited information may not be available for release.

In no event shall TI's liability arising out of such information exceed the total purchase price of the TI part(s) at issue in this document sold by TI to Customer on an annual basis.





www.ti.com

## PACKAGE OPTION ADDENDUM

24-Jan-2013

---

**TAPE AND REEL INFORMATION**

**QUADRANT ASSIGNMENTS FOR PIN 1 ORIENTATION IN TAPE**


\*All dimensions are nominal

Device	Package Type	Package Drawing	Pins	SPQ	Reel Diameter (mm)	Reel Width W1 (mm)	A0 (mm)	B0 (mm)	K0 (mm)	P1 (mm)	W (mm)	Pin1 Quadrant
LM3464AMHX/NOPB	HTSSOP	PWP	28	2500	330.0	16.4	6.8	10.2	1.6	8.0	16.0	Q1
LM3464MHX/NOPB	HTSSOP	PWP	28	2500	330.0	16.4	6.8	10.2	1.6	8.0	16.0	Q1

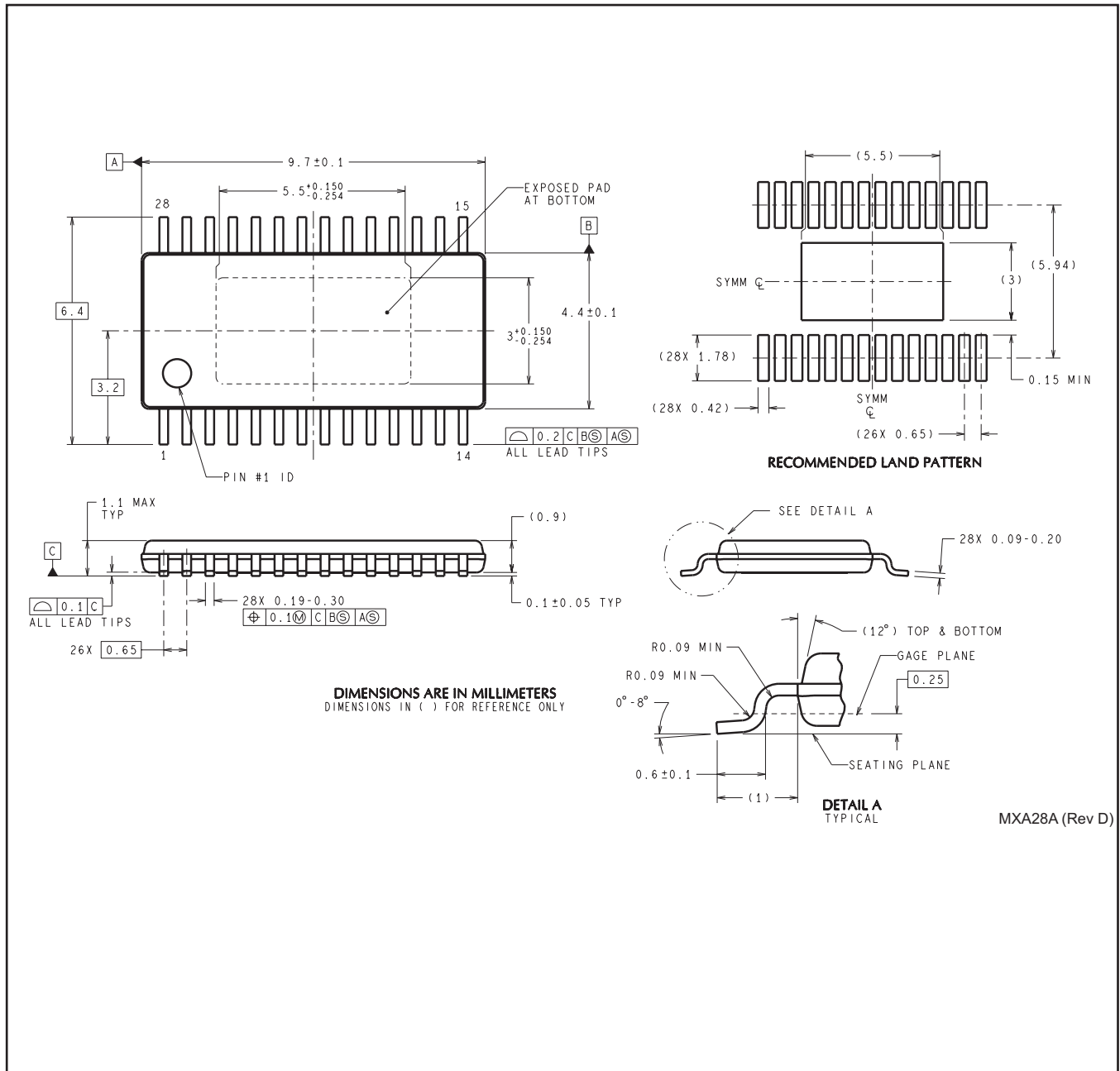
TAPE AND REEL BOX DIMENSIONS



\*All dimensions are nominal

Device	Package Type	Package Drawing	Pins	SPQ	Length (mm)	Width (mm)	Height (mm)
LM3464AMHX/NOPB	HTSSOP	PWP	28	2500	349.0	337.0	45.0
LM3464MHX/NOPB	HTSSOP	PWP	28	2500	349.0	337.0	45.0

PWP0028A



MXA28A (Rev D)

## IMPORTANT NOTICE

Texas Instruments Incorporated and its subsidiaries (TI) reserve the right to make corrections, enhancements, improvements and other changes to its semiconductor products and services per JESD46, latest issue, and to discontinue any product or service per JESD48, latest issue. Buyers should obtain the latest relevant information before placing orders and should verify that such information is current and complete. All semiconductor products (also referred to herein as "components") are sold subject to TI's terms and conditions of sale supplied at the time of order acknowledgment.

TI warrants performance of its components to the specifications applicable at the time of sale, in accordance with the warranty in TI's terms and conditions of sale of semiconductor products. Testing and other quality control techniques are used to the extent TI deems necessary to support this warranty. Except where mandated by applicable law, testing of all parameters of each component is not necessarily performed.

TI assumes no liability for applications assistance or the design of Buyers' products. Buyers are responsible for their products and applications using TI components. To minimize the risks associated with Buyers' products and applications, Buyers should provide adequate design and operating safeguards.

TI does not warrant or represent that any license, either express or implied, is granted under any patent right, copyright, mask work right, or other intellectual property right relating to any combination, machine, or process in which TI components or services are used. Information published by TI regarding third-party products or services does not constitute a license to use such products or services or a warranty or endorsement thereof. Use of such information may require a license from a third party under the patents or other intellectual property of the third party, or a license from TI under the patents or other intellectual property of TI.

Reproduction of significant portions of TI information in TI data books or data sheets is permissible only if reproduction is without alteration and is accompanied by all associated warranties, conditions, limitations, and notices. TI is not responsible or liable for such altered documentation. Information of third parties may be subject to additional restrictions.

Resale of TI components or services with statements different from or beyond the parameters stated by TI for that component or service voids all express and any implied warranties for the associated TI component or service and is an unfair and deceptive business practice. TI is not responsible or liable for any such statements.

Buyer acknowledges and agrees that it is solely responsible for compliance with all legal, regulatory and safety-related requirements concerning its products, and any use of TI components in its applications, notwithstanding any applications-related information or support that may be provided by TI. Buyer represents and agrees that it has all the necessary expertise to create and implement safeguards which anticipate dangerous consequences of failures, monitor failures and their consequences, lessen the likelihood of failures that might cause harm and take appropriate remedial actions. Buyer will fully indemnify TI and its representatives against any damages arising out of the use of any TI components in safety-critical applications.

In some cases, TI components may be promoted specifically to facilitate safety-related applications. With such components, TI's goal is to help enable customers to design and create their own end-product solutions that meet applicable functional safety standards and requirements. Nonetheless, such components are subject to these terms.

No TI components are authorized for use in FDA Class III (or similar life-critical medical equipment) unless authorized officers of the parties have executed a special agreement specifically governing such use.

Only those TI components which TI has specifically designated as military grade or "enhanced plastic" are designed and intended for use in military/aerospace applications or environments. Buyer acknowledges and agrees that any military or aerospace use of TI components which have **not** been so designated is solely at the Buyer's risk, and that Buyer is solely responsible for compliance with all legal and regulatory requirements in connection with such use.

TI has specifically designated certain components as meeting ISO/TS16949 requirements, mainly for automotive use. In any case of use of non-designated products, TI will not be responsible for any failure to meet ISO/TS16949.

### Products

Audio	<a href="http://www.ti.com/audio">www.ti.com/audio</a>
Amplifiers	<a href="http://amplifier.ti.com">amplifier.ti.com</a>
Data Converters	<a href="http://dataconverter.ti.com">dataconverter.ti.com</a>
DLP® Products	<a href="http://www.dlp.com">www.dlp.com</a>
DSP	<a href="http://dsp.ti.com">dsp.ti.com</a>
Clocks and Timers	<a href="http://www.ti.com/clocks">www.ti.com/clocks</a>
Interface	<a href="http://interface.ti.com">interface.ti.com</a>
Logic	<a href="http://logic.ti.com">logic.ti.com</a>
Power Mgmt	<a href="http://power.ti.com">power.ti.com</a>
Microcontrollers	<a href="http://microcontroller.ti.com">microcontroller.ti.com</a>
RFID	<a href="http://www.ti-rfid.com">www.ti-rfid.com</a>
OMAP Applications Processors	<a href="http://www.ti.com/omap">www.ti.com/omap</a>
Wireless Connectivity	<a href="http://www.ti.com/wirelessconnectivity">www.ti.com/wirelessconnectivity</a>

### Applications

Automotive and Transportation	<a href="http://www.ti.com/automotive">www.ti.com/automotive</a>
Communications and Telecom	<a href="http://www.ti.com/communications">www.ti.com/communications</a>
Computers and Peripherals	<a href="http://www.ti.com/computers">www.ti.com/computers</a>
Consumer Electronics	<a href="http://www.ti.com/consumer-apps">www.ti.com/consumer-apps</a>
Energy and Lighting	<a href="http://www.ti.com/energy">www.ti.com/energy</a>
Industrial	<a href="http://www.ti.com/industrial">www.ti.com/industrial</a>
Medical	<a href="http://www.ti.com/medical">www.ti.com/medical</a>
Security	<a href="http://www.ti.com/security">www.ti.com/security</a>
Space, Avionics and Defense	<a href="http://www.ti.com/space-avionics-defense">www.ti.com/space-avionics-defense</a>
Video and Imaging	<a href="http://www.ti.com/video">www.ti.com/video</a>

### TI E2E Community

[e2e.ti.com](http://e2e.ti.com)

Mailing Address: Texas Instruments, Post Office Box 655303, Dallas, Texas 75265  
Copyright © 2013, Texas Instruments Incorporated