

Voltage Protection with Automatic Cell Balance for 2-Series Cell Li-Ion Batteries

Check for Samples: [bq29200](#) , [bq29209](#)

FEATURES

- 2-Series Cell Secondary Protection
- Automatic Cell Imbalance Correction with External Enable Control
 - ± 30 mV Enable, 0 mV Disable Thresholds Typical
- External Capacitor-Controlled Delay Timer
- External Resistor-Controlled Cell Balance Current
- Low Power Consumption $I_{CC} < 3 \mu\text{A}$ Typical ($V_{CELL(ALL)} < V_{PROTECT}$)

- High-Accuracy Overvoltage Protection:
 - ± 25 mV with $T_A = 0^\circ\text{C}$ to 60°C
- Fixed Overvoltage Protection Thresholds: 4.30 V, 4.35 V
- Small 8L DRB Package

APPLICATIONS

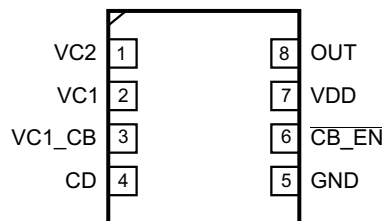
- 2nd Level Protection in Li-Ion Battery Packs
 - Netbook Computers
 - Power Tools
 - Portable Equipment and Instrumentation
 - Battery Backup Systems

DESCRIPTION

The bq2920x device is a secondary overvoltage protection IC for two-series cell lithium-ion battery packs that incorporates a high-accuracy precision overvoltage detection circuit and automatic cell imbalance correction.

The voltage of each cell in a two-series cell battery pack is compared to an internal reference voltage. If either cell reaches an overvoltage condition, the bq2920x device starts a timer that provides a delay proportional to the capacitance on the CD pin. Upon expiration of the internal timer, the OUT pin changes from low to high state.

If enabled, the bq2920x will perform automatic cell imbalance correction where the two cells are automatically corrected for voltage imbalance by loading the cell with the higher charge voltage with a small balancing current. When the cells are measured to be equal within nominally 0 mV, the load current is removed. It will be re-applied if the imbalance exceeds nominally 30 mV. The cell mismatch correction circuitry is enabled by pulling the $\overline{\text{CB_EN}}$ pin low, and disabled when $\overline{\text{CB_EN}}$ is pulled to VDD or greater than 2.2 V.



Please be aware that an important notice concerning availability, standard warranty, and use in critical applications of Texas Instruments semiconductor products and disclaimers thereto appears at the end of this data sheet.

PRODUCTION DATA information is current as of publication date. Products conform to specifications per the terms of the Texas Instruments standard warranty. Production processing does not necessarily include testing of all parameters.

Copyright © 2010, Texas Instruments Incorporated



These devices have limited built-in ESD protection. The leads should be shorted together or the device placed in conductive foam during storage or handling to prevent electrostatic damage to the MOS gates.

ORDERING INFORMATION

T _A	PART NUMBER	OUT PIN LATCH OPTION	PACKAGE	PACKAGE DESIGNATOR	PACKAGE MARKING	OVP	ORDERING INFORMATION	
							TAPE AND REEL (LARGE)	TAPE AND REEL (SMALL)
-40°C to +110°C	BQ29200	No	QFN-8	DRB	200	4.35 V	BQ29200DRBR	BQ29209DRBT
	BQ29209	No			209	4.30 V	BQ29209DRBR	BQ29209DRBT

THERMAL INFORMATION

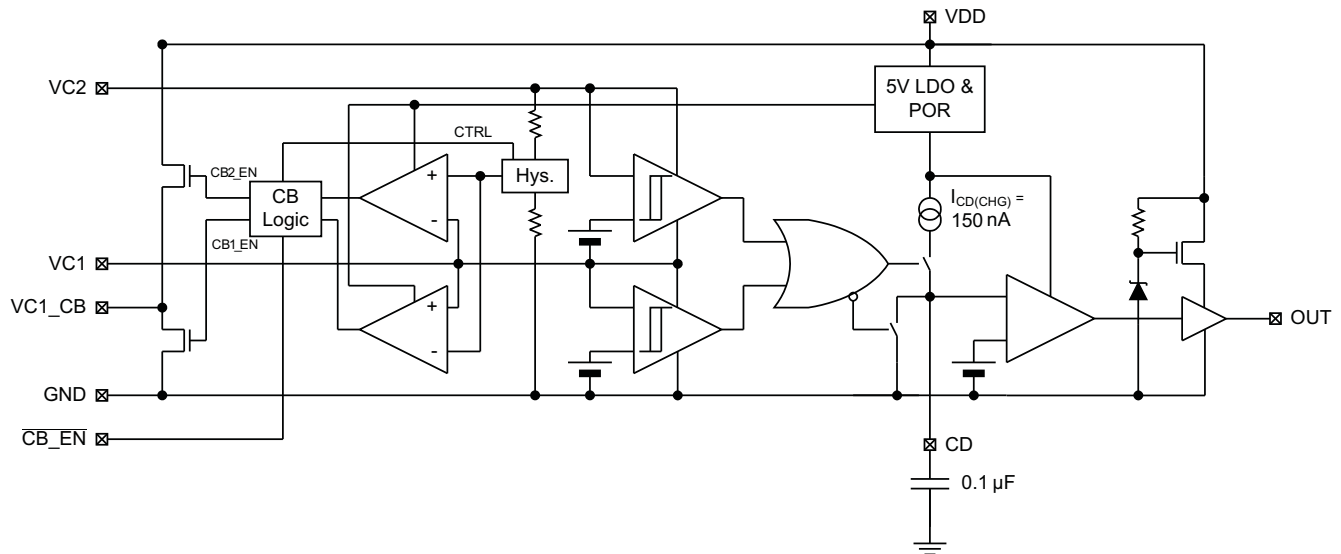
THERMAL METRIC ⁽¹⁾		bq2920x	UNITS
		DRB	
		8 PINS	
θ_{JA}	Junction-to-ambient thermal resistance ⁽²⁾	50.5	°C/W
$\theta_{JC(top)}$	Junction-to-case(top) thermal resistance ⁽³⁾	25.1	
θ_{JB}	Junction-to-board thermal resistance ⁽⁴⁾	19.3	
ψ_{JT}	Junction-to-top characterization parameter ⁽⁵⁾	0.7	
ψ_{JB}	Junction-to-board characterization parameter ⁽⁶⁾	18.9	
$\theta_{JC(bottom)}$	Junction-to-case(bottom) thermal resistance ⁽⁷⁾	5.2	

- (1) For more information about traditional and new thermal metrics, see the *IC Package Thermal Metrics* application report, [SPRA953](#).
- (2) The junction-to-ambient thermal resistance under natural convection is obtained in a simulation on a JEDEC-standard, high-K board, as specified in JESD51-7, in an environment described in JESD51-2a.
- (3) The junction-to-case (top) thermal resistance is obtained by simulating a cold plate test on the package top. No specific JEDEC-standard test exists, but a close description can be found in the ANSI SEMI standard G30-88.
- (4) The junction-to-board thermal resistance is obtained by simulating in an environment with a ring cold plate fixture to control the PCB temperature, as described in JESD51-8.
- (5) The junction-to-top characterization parameter, ψ_{JT} , estimates the junction temperature of a device in a real system and is extracted from the simulation data for obtaining θ_{JA} , using a procedure described in JESD51-2a (sections 6 and 7).
- (6) The junction-to-board characterization parameter, ψ_{JB} , estimates the junction temperature of a device in a real system and is extracted from the simulation data for obtaining θ_{JA} , using a procedure described in JESD51-2a (sections 6 and 7).
- (7) The junction-to-case (bottom) thermal resistance is obtained by simulating a cold plate test on the exposed (power) pad. No specific JEDEC standard test exists, but a close description can be found in the ANSI SEMI standard G30-88.

PIN FUNCTIONS

PIN NAME	NO.	DESCRIPTION
$\overline{CB_EN}$	6	Cell balance enable
CD	4	Connection to external capacitor for programmable delay time
GND	5	Ground pin
OUT	8	Output
VC1	2	Sense voltage input for bottom cell
VC1_CB	3	Cell balance input for bottom cell
VC2	1	Sense voltage input for top cell
VDD	7	Power supply

FUNCTIONAL BLOCK DIAGRAM



ABSOLUTE MAXIMUM RATINGS

Over-operating free-air temperature range (unless otherwise noted)⁽¹⁾

		VALUE / UNIT
Supply voltage range, V_{MAX}	VDD–GND	–0.3 to 16 V
Input voltage range, V_{IN}	VC2–GND, VC1–GND	–0.3 to 16 V
	VC2–VC1, CD–GND	–0.3 to 8 V
	$\overline{CB_EN}$ –GND	–0.3 to 16 V
Output voltage range, V_{OUT}	OUT–GND	–0.3 to 16 V
Continuous total power dissipation, P_{TOT}		See package dissipation rating
Storage temperature range, T_{STG}		–65°C to 150°C
Lead temperature (soldering, 10 s), T_{SOLDER}		300°C

(1) Stresses beyond those listed under “absolute maximum ratings” may cause permanent damage to the device. These are stress ratings only and functional operation of the device at these or any other conditions beyond those indicated under “recommended operating conditions” is not implied. Exposure to absolute–maximum–rated conditions for extended periods may affect device reliability.

RECOMMENDED OPERATING CONDITIONS

		MIN	NOM	MAX	UNIT
Supply voltage, V_{DD}		4		10	V
Input voltage range	VC2–VC1, VC1–GND	0		5	V
Delay time capacitance, $t_{d(CD)}$	C_{CD} (See Figure 4)		0.1		μF
Voltage monitor filter resistance	R_{IN} (See Figure 4)	100	1K		Ω
Voltage monitor filter capacitance	C_{IN} (See Figure 4)	0.01	0.1		μF
Supply voltage filter resistance	R_{VD} (See Figure 4)		100	1K	Ω
Supply voltage filter capacitance	C_{VD} (See Figure 4)		0.1		μF
Cell balance resistance	R_{CB} (See Figure 4 and PROTECTION (OUT) TIMING)	100		4.7K	Ω
Operating ambient temperature range, T_A		–40		110	°C

ELECTRICAL CHARACTERISTICS

Typical values stated where $T_A = 25^\circ\text{C}$ and $V_{DD} = 7.2\text{ V}$.

Min/Max values stated where $T_A = -40^\circ\text{C}$ to 110°C and $V_{DD} = 4\text{ V}$ to 10 V (unless otherwise noted).

PARAMETER		TEST CONDITION	MIN	NOM	MAX	UNIT		
V_{PROTECT}	Overvoltage detection voltage	bq29209	4.30			V		
		bq29200	4.35					
V_{HYS}	Overvoltage detection hysteresis		200	300	400	mV		
V_{OA}	Overvoltage detection accuracy	$T_A = 25^\circ\text{C}$	-10		10	mV		
$V_{\text{OA_DRIFT}}$	Overvoltage threshold temperature drift	$T_A = 0^\circ\text{C}$ to 60°C	-0.4		0.4	mV/°C		
		$T_A = -40^\circ\text{C}$ to 110°C	-0.6		0.6			
X_{DELAY}	Overvoltage delay time scale factor	$T_A = 0^\circ\text{C}$ to 60°C Note: Does not include external capacitor variation.	5.5	8.0	11.0	s/μF		
		$T_A = -40^\circ\text{C}$ to 110°C Note: Does not include external capacitor variation.	5.0	8.0	12.5			
$X_{\text{DELAY_CTM}}^{(1)}$	Overvoltage delay time scale factor in Customer Test Mode		0.08			s/μF		
$I_{\text{CD(CHG)}}$	Overvoltage detection charging current		150			nA		
$I_{\text{CD(DSG)}}$	Overvoltage detection discharging current		60			μA		
V_{CD}	Overvoltage detection external capacitor comparator threshold		1.2			V		
I_{CC}	Supply current	$(V_{\text{C2}}-V_{\text{C1}}) = (V_{\text{C1}}-\text{GND}) = 3.5\text{ V}$ (See Figure 1)	3.0	6.0		μA		
V_{OUT}	OUT pin drive voltage	$(V_{\text{C2}}-V_{\text{C1}}) = (V_{\text{C1}}-\text{GND}) = V_{\text{PROTECTMAX}}$, $V_{\text{DD}} = V_{\text{C2}}$, $I_{\text{OH}} = 0$	6	8.25	9.5	V		
		$V_{\text{C2}} = V_{\text{C1}} = V_{\text{PROTECTMAX}}$, $V_{\text{DD}} = V_{\text{C2}}$, $I_{\text{OH}} = -100\ \mu\text{A}$, $T_A = 0^\circ\text{C}$ to 60°C	2	2.5	3	V		
		$(V_{\text{C2}}-V_{\text{C1}})$ and $(V_{\text{C1}}-\text{GND}) < V_{\text{PROTECT}}$, $I_{\text{OL}} = 100\ \mu\text{A}$, $T_A = 25^\circ\text{C}$				200	mV	
		$(V_{\text{C2}}-V_{\text{C1}})$ and $(V_{\text{C1}}-\text{GND}) < V_{\text{PROTECT}}$, $I_{\text{OL}} = 0\ \mu\text{A}$, $T_A = 25^\circ\text{C}$				0	10	mV
		$V_{\text{C2}} = V_{\text{C1}} = V_{\text{DD}} = 4\text{ V}$, $I_{\text{OL}} = 100\ \mu\text{A}$				200	mV	
		$(V_{\text{C2}}-V_{\text{C1}})$ or $(V_{\text{C1}}-\text{GND}) > V_{\text{PROTECT}}$, $V_{\text{DD}} = 4\text{ V}$ to 10 V , $I_{\text{OH}} = -100\ \mu\text{A}$, $T_A = -40^\circ\text{C}$ to 60°C	2				V	
		$(V_{\text{C2}}-V_{\text{C1}})$ or $(V_{\text{C1}}-\text{GND}) > V_{\text{PROTECT}}$, $V_{\text{DD}} = 5\text{ V}$ to 10 V , $I_{\text{OH}} = -100\ \mu\text{A}$, $T_A = 60^\circ\text{C}$ to 110°C						
I_{OH}	High-level output current	OUT = 2 V, $(V_{\text{C2}}-V_{\text{C1}}) = (V_{\text{C1}}-\text{GND}) = V_{\text{PROTECTMAX}}$, $V_{\text{DD}} = 4\text{ V}$ to 10 V , $T_A = -40^\circ\text{C}$ to 60°C	-100			μA		
		OUT = 2 V, $(V_{\text{C2}}-V_{\text{C1}}) = (V_{\text{C1}}-\text{GND}) = V_{\text{PROTECTMAX}}$, $V_{\text{DD}} = 5\text{ V}$ to 10 V , $T_A = 60^\circ\text{C}$ to 110°C						
I_{OL}	Low-level output current	OUT = 0.05 V, $(V_{\text{C2}}-V_{\text{C1}}) = (V_{\text{C1}}-\text{GND}) = 3.5\text{ V}$, $V_{\text{DD}} = V_{\text{C2}}$	30		85	μA		
$I_{\text{OH_ZV}}$	High-level short-circuit output current	OUT = 0V $(V_{\text{C2}}-V_{\text{C1}}) = (V_{\text{C1}}-\text{GND}) = V_{\text{PROTECTMAX}}$ $V_{\text{DD}} = 4$ to 10 V				-8.0	mA	
I_{IN}	Input current at VCx pins	Measured at VC1, $(V_{\text{C2}}-V_{\text{C1}}) = (V_{\text{C1}}-\text{GND}) = 3.5\text{ V}$, $T_A = 0^\circ\text{C}$ to 60°C (See Figure 1)				-0.2	0.2	μA
		Measured at VC2, $(V_{\text{C2}}-V_{\text{C1}}) = (V_{\text{C1}}-\text{GND}) = 3.5\text{ V}$, $T_A = 0^\circ\text{C}$ to 60°C (See Figure 1)					2.5	μA
$V_{\text{MM_DET_ON}}$	Cell mismatch detection threshold for turning ON	$(V_{\text{C2}}-V_{\text{C1}})$ versus $(V_{\text{C1}}-\text{GND})$ and vice-versa when cell balancing is enabled	17	30	45	mV		

(1) Specified by design. Not 100% tested in production.

ELECTRICAL CHARACTERISTICS (continued)

Typical values stated where $T_A = 25^\circ\text{C}$ and $V_{DD} = 7.2\text{ V}$.

Min/Max values stated where $T_A = -40^\circ\text{C}$ to 110°C and $V_{DD} = 4\text{ V}$ to 10 V (unless otherwise noted).

PARAMETER		TEST CONDITION	MIN	NOM	MAX	UNIT
$V_{\text{MML_DET_OFF}}$	Cell mismatch detection threshold for turning OFF	Delta between (VC2–VC1) and (VC1–GND) when cell balancing is disabled $V_{DD} = VC2 = 7.6\text{ V}$	–9	0	9	mV
$V_{\text{CB_EN_ON}}$	Cell balance enable ON threshold	Active LOW pin at $\overline{\text{CB_EN}}$			1	V
$V_{\text{CB_EN_OFF}}$	Cell balance enable OFF threshold	Active HIGH at $\overline{\text{CB_EN}}$	2.2			V
$I_{\text{CB_EN}}$	Cell balance enable ON input current	$\overline{\text{CB_EN}} = \text{GND}$ (See Figure 2)			0.2	μA

RECOMMENDED CELL BALANCING CONFIGURATIONS

Typical values stated where $T_A = 25^\circ\text{C}$ and (VC2–VC1), (VC1–GND) = 3.8 V. Min/Max values stated where $T_A = -40^\circ\text{C}$ to 110°C , $V_{DD} = 4\text{ V}$ to 10 V , and (VC2–VC1), (VC1–GND) = 3.0 V to 4.2 V. All values assume recommended supply voltage filter resistance R_{VDD} of $100\ \Omega$ and 5% accurate or better cell balance resistor R_{CB} .

PARAMETER		TEST CONDITION	MIN	NOM	MAX	UNIT
I_{CB}	Cell balance input current	$R_{\text{CB}} = 4700\ \Omega$	0.5	0.75	1	mA
		$R_{\text{CB}} = 2200\ \Omega$	1	1.5	2	
		$R_{\text{CB}} = 910\ \Omega$	2	3	4	
		$R_{\text{CB}} = 560\ \Omega$	3	4.5	6	
		$R_{\text{CB}} = 360\ \Omega$	3.5	6	8.5	
		$R_{\text{CB}} = 240\ \Omega$	4	7.5	11	
		$R_{\text{CB}} = 120\ \Omega$	5	10	15	

The cell balancing current may be calculated as follows:

Cell 1 (VC1–GND):

$$I_{\text{CB1}} = \frac{VC1}{R_{\text{CB}}}$$

Cell 2 (VC2–VC1):

$$I_{\text{CB2}} = \frac{(VC2 - VC1)}{(R_{\text{CB}} + R_{\text{VB}})}$$

TEST CONDITIONS

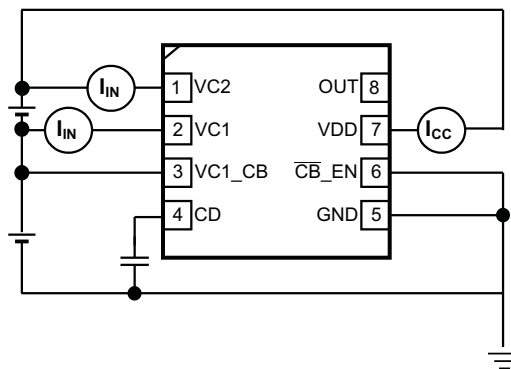


Figure 1. I_{CC} , I_{IN} Measurement

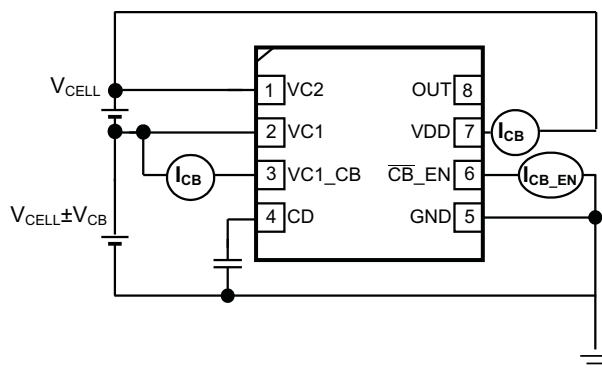


Figure 2. I_{CB} Measurement

PROTECTION (OUT) TIMING

Sizing the external capacitor is based on the desired delay time as follows:

$$C_{CD} = \frac{t_d}{X_{DELAY}}$$

Where t_d is the desired delay time and X_{DELAY} is the overvoltage delay time scale factor, expressed in seconds per microFarad. X_{DELAY} is nominally 8.0 s/ μ F. For example, if a nominal delay of 3 seconds is desired, the customer should use a CCD capacitor that is 3 s / 8.0 s/ μ F = 0.375 μ F.

The delay time is calculated as follows:

$$t_d = \frac{[1.2V \times C_{CD}]}{I_{CD}}$$

If the cell overvoltage condition is removed before the external capacitor reaches the reference voltage, the internal current source is disabled and an internal discharge block is employed to discharge the external capacitor down to 0 V. In this instance, the OUT pin remains in a low state.

Cell Voltage > V_{PROTECT}

When one or both of the cell voltages rises above V_{PROTECT} , the internal comparator is tripped, and the delay begins to count to t_d . If the input remains above V_{PROTECT} for the duration of t_d , the bq2920x output changes from a low to a high state, by means of an internal pull-up network, to a regulated voltage of no more than 8.5 V when $I_{\text{OH}} = 0$ mA.

The external delay capacitor should charge up to no more than the internal LDO voltage (approximately 5 V typically), and will fully discharge in approximately under 100 ms when the overvoltage condition is removed.

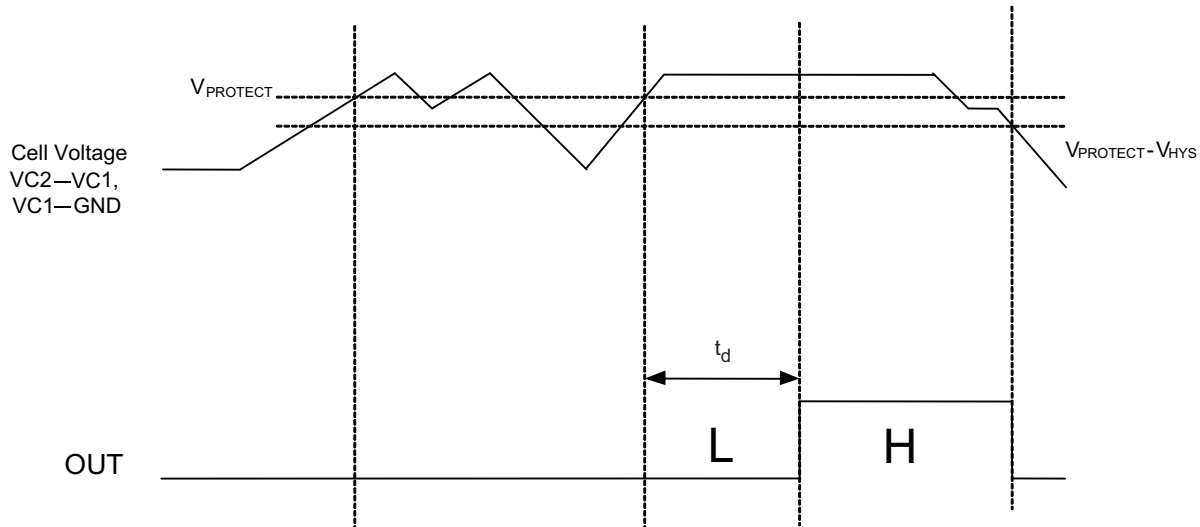


Figure 3. Timing for Overvoltage Sensing

CELL CONNECTION SEQUENCE

The recommended cell connection sequence begins from the bottom of the stack, as follows:

1. GND
2. VC1
3. VC2

While not advised, connecting the cells in a sequence other than that described above does not result in errant activity on the OUT pin. For example:

1. GND
2. VC2 or VC1
3. Remaining VCx pin

It is also recommended that the overvoltage delay timing capacitor, C_{CD} , be propagated before connecting the cells.

CELL BALANCE ENABLE CONTROL

To avoid prematurely discharging the cells, it is recommended to turn off (pull high) the active-low Cell Balance Enable Control pin at lower State of Charge (SOC) levels.

BATTERY CONNECTION

Figure 4 shows the configuration for the 2-series cell battery connection.

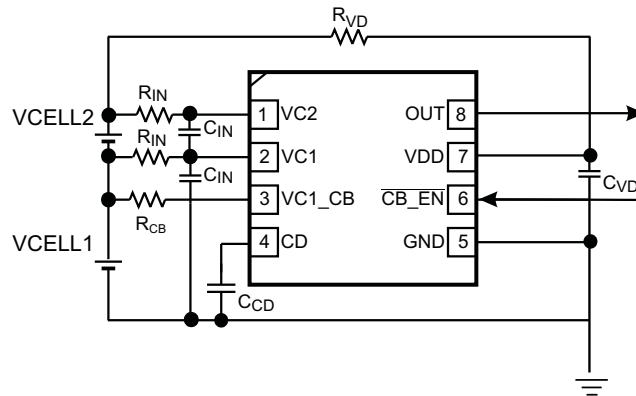


Figure 4. 2-Series Cell Configuration

CUSTOMER TEST MODE

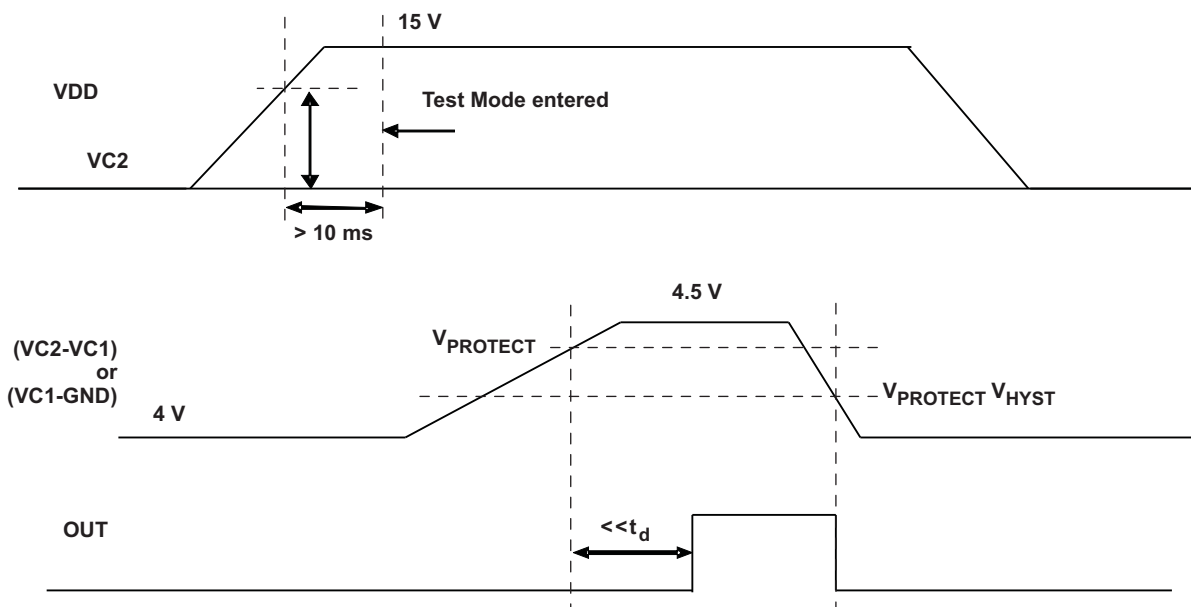
Customer Test Mode (CTM) helps to greatly reduce the overvoltage detection delay time and enable quicker customer production testing. This mode is intended for quick-pass board-level verification tests, and, as such, individual cell overvoltage levels may deviate slightly from the specifications ($V_{PROTECT}$, V_{OA}). If accurate overvoltage thresholds are to be tested, use the standard delay settings that are intended for normal use.

To enter CTM, V_{DD} should be set to approximately 9.5 V higher than VC2. When CTM is entered, the device switches from the normal overvoltage delay time scale factor, x_{DELAY} , to a significantly reduced factor of approximately 0.08, thereby reducing the delay time during an overvoltage condition.

CAUTION

Avoid exceeding any Absolute Maximum Voltages on any pins when placing the part into Customer Test Mode. Also, avoid exceeding Absolute Maximum Voltages for the individual cell voltages (VC1–GND) and (VC2–VC1). Stressing the pins beyond the rated limits may cause permanent damage to the device.

To exit CTM, the device should be powered off before being powered back on.



PACKAGING INFORMATION

Orderable Device	Status ⁽¹⁾	Package Type	Package Drawing	Pins	Package Qty	Eco Plan ⁽²⁾	Lead/ Ball Finish	MSL Peak Temp ⁽³⁾	Samples (Requires Login)
BQ29200DRBR	ACTIVE	SON	DRB	8	3000	Green (RoHS & no Sb/Br)	CU NIPDAU	Level-2-260C-1 YEAR	Request Free Samples
BQ29200DRBT	ACTIVE	SON	DRB	8	250	Green (RoHS & no Sb/Br)	CU NIPDAU	Level-2-260C-1 YEAR	Purchase Samples
BQ29209DRBR	ACTIVE	SON	DRB	8	3000	Green (RoHS & no Sb/Br)	CU NIPDAU	Level-2-260C-1 YEAR	Request Free Samples
BQ29209DRBT	ACTIVE	SON	DRB	8	250	Green (RoHS & no Sb/Br)	CU NIPDAU	Level-2-260C-1 YEAR	Purchase Samples

⁽¹⁾ The marketing status values are defined as follows:

ACTIVE: Product device recommended for new designs.

LIFEBUY: TI has announced that the device will be discontinued, and a lifetime-buy period is in effect.

NRND: Not recommended for new designs. Device is in production to support existing customers, but TI does not recommend using this part in a new design.

PREVIEW: Device has been announced but is not in production. Samples may or may not be available.

OBsolete: TI has discontinued the production of the device.

⁽²⁾ Eco Plan - The planned eco-friendly classification: Pb-Free (RoHS), Pb-Free (RoHS Exempt), or Green (RoHS & no Sb/Br) - please check <http://www.ti.com/productcontent> for the latest availability information and additional product content details.

TBD: The Pb-Free/Green conversion plan has not been defined.

Pb-Free (RoHS): TI's terms "Lead-Free" or "Pb-Free" mean semiconductor products that are compatible with the current RoHS requirements for all 6 substances, including the requirement that lead not exceed 0.1% by weight in homogeneous materials. Where designed to be soldered at high temperatures, TI Pb-Free products are suitable for use in specified lead-free processes.

Pb-Free (RoHS Exempt): This component has a RoHS exemption for either 1) lead-based flip-chip solder bumps used between the die and package, or 2) lead-based die adhesive used between the die and leadframe. The component is otherwise considered Pb-Free (RoHS compatible) as defined above.

Green (RoHS & no Sb/Br): TI defines "Green" to mean Pb-Free (RoHS compatible), and free of Bromine (Br) and Antimony (Sb) based flame retardants (Br or Sb do not exceed 0.1% by weight in homogeneous material)

⁽³⁾ MSL, Peak Temp. -- The Moisture Sensitivity Level rating according to the JEDEC industry standard classifications, and peak solder temperature.

Important Information and Disclaimer: The information provided on this page represents TI's knowledge and belief as of the date that it is provided. TI bases its knowledge and belief on information provided by third parties, and makes no representation or warranty as to the accuracy of such information. Efforts are underway to better integrate information from third parties. TI has taken and continues to take reasonable steps to provide representative and accurate information but may not have conducted destructive testing or chemical analysis on incoming materials and chemicals. TI and TI suppliers consider certain information to be proprietary, and thus CAS numbers and other limited information may not be available for release.

In no event shall TI's liability arising out of such information exceed the total purchase price of the TI part(s) at issue in this document sold by TI to Customer on an annual basis.

TAPE AND REEL INFORMATION



QUADRANT ASSIGNMENTS FOR PIN 1 ORIENTATION IN TAPE



*All dimensions are nominal

Device	Package Type	Package Drawing	Pins	SPQ	Reel Diameter (mm)	Reel Width W1 (mm)	A0 (mm)	B0 (mm)	K0 (mm)	P1 (mm)	W (mm)	Pin1 Quadrant
BQ29200DRBR	SON	DRB	8	3000	330.0	12.4	3.3	3.3	1.1	8.0	12.0	Q2
BQ29200DRBT	SON	DRB	8	250	180.0	12.4	3.3	3.3	1.1	8.0	12.0	Q2
BQ29209DRBT	SON	DRB	8	250	180.0	12.4	3.3	3.3	1.1	8.0	12.0	Q2

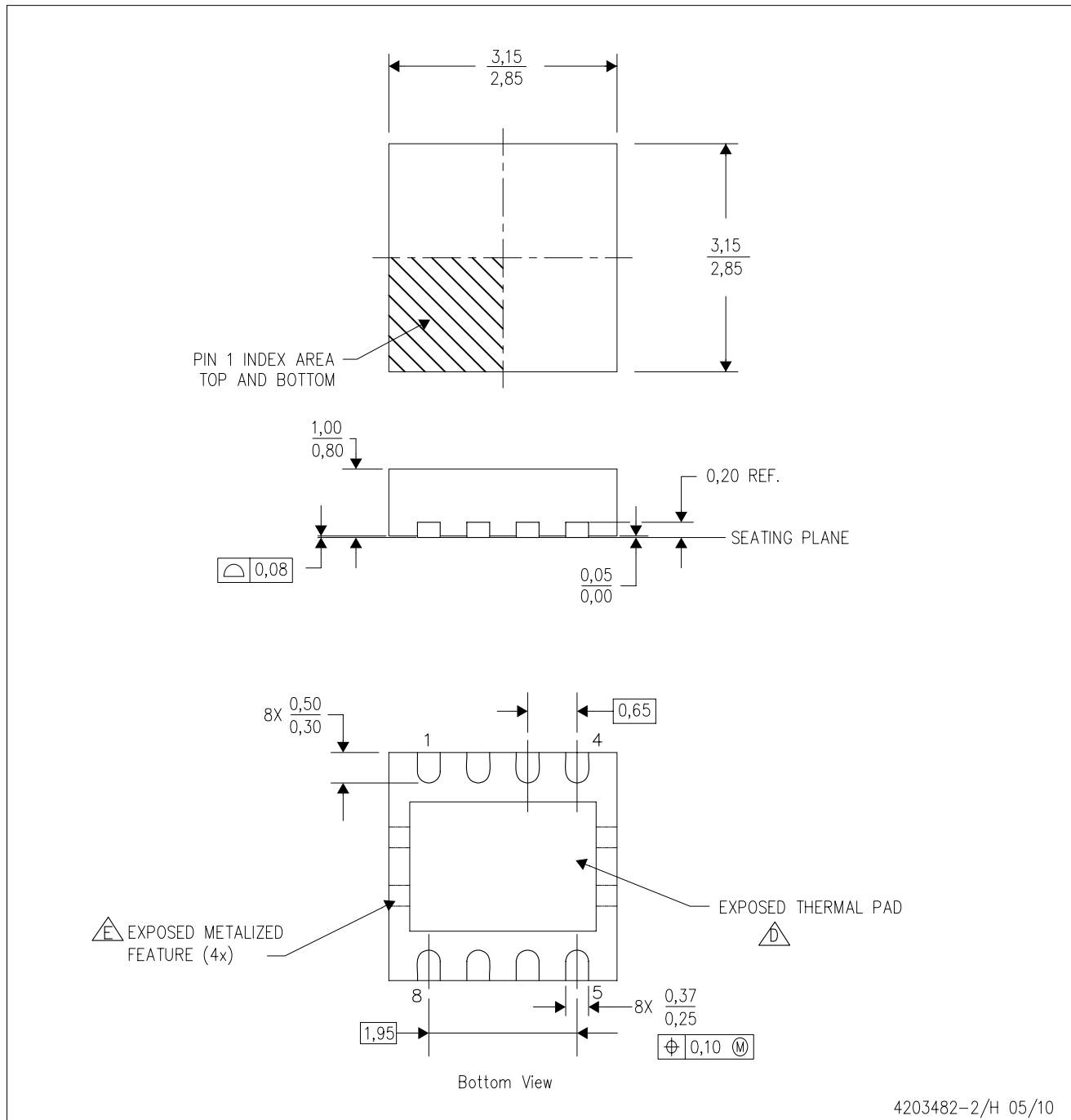
TAPE AND REEL BOX DIMENSIONS


*All dimensions are nominal

Device	Package Type	Package Drawing	Pins	SPQ	Length (mm)	Width (mm)	Height (mm)
BQ29200DRBR	SON	DRB	8	3000	346.0	346.0	29.0
BQ29200DRBT	SON	DRB	8	250	190.5	212.7	31.8
BQ29209DRBT	SON	DRB	8	250	190.5	212.7	31.8

DRB (S-PVSON-N8)

PLASTIC SMALL OUTLINE NO-LEAD



- NOTES:
- A. All linear dimensions are in millimeters. Dimensioning and tolerancing per ASME Y14.5M-1994.
 - B. This drawing is subject to change without notice.
 - C. Small Outline No-Lead (SON) package configuration.
 - The package thermal pad must be soldered to the board for thermal and mechanical performance. See the Product Data Sheet for details regarding the exposed thermal pad dimensions.
 - Metalized features are supplier options and may not be on the package.

THERMAL PAD MECHANICAL DATA

DRB (S-PVSON-N8)

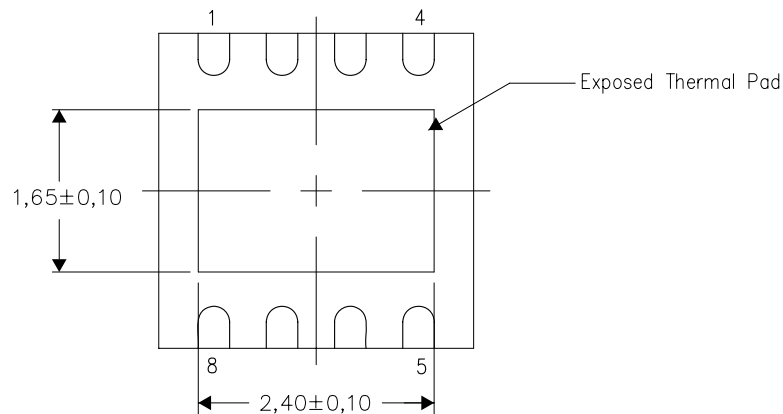
PLASTIC SMALL OUTLINE NO-LEAD

THERMAL INFORMATION

This package incorporates an exposed thermal pad that is designed to be attached directly to an external heatsink. The thermal pad must be soldered directly to the printed circuit board (PCB). After soldering, the PCB can be used as a heatsink. In addition, through the use of thermal vias, the thermal pad can be attached directly to the appropriate copper plane shown in the electrical schematic for the device, or alternatively, can be attached to a special heatsink structure designed into the PCB. This design optimizes the heat transfer from the integrated circuit (IC).

For information on the Quad Flatpack No-Lead (QFN) package and its advantages, refer to Application Report, QFN/SON PCB Attachment, Texas Instruments Literature No. SLUA271. This document is available at www.ti.com.

The exposed thermal pad dimensions for this package are shown in the following illustration.



Bottom View

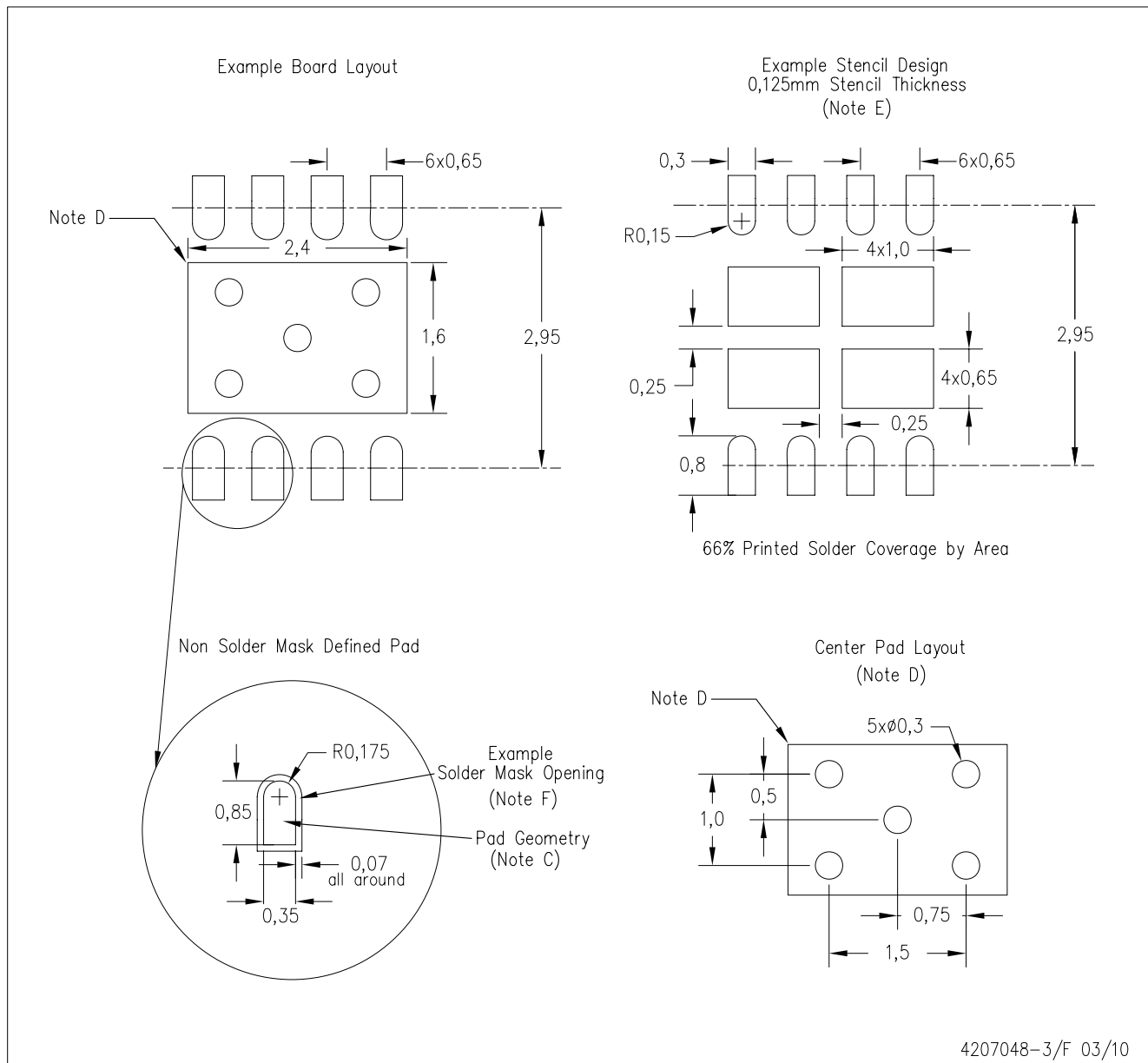
NOTE: All linear dimensions are in millimeters

Exposed Thermal Pad Dimensions

4206340-3/J 07/10

DRB (S-PVSON-N8)

PLASTIC SMALL OUTLINE



- NOTES:
- All linear dimensions are in millimeters.
 - This drawing is subject to change without notice.
 - Publication IPC-7351 is recommended for alternate designs.
 - This package is designed to be soldered to a thermal pad on the board. Refer to Application Note, QFN Packages, Texas Instruments Literature No. SLUA271, and also the Product Data Sheets for specific thermal information, via requirements, and recommended board layout. These documents are available at www.ti.com <<http://www.ti.com>>.
 - Laser cutting apertures with trapezoidal walls and also rounding corners will offer better paste release. Customers should contact their board assembly site for stencil design recommendations. Refer to IPC 7525 for stencil design considerations.
 - Customers should contact their board fabrication site for solder mask tolerances.

IMPORTANT NOTICE

Texas Instruments Incorporated and its subsidiaries (TI) reserve the right to make corrections, modifications, enhancements, improvements, and other changes to its products and services at any time and to discontinue any product or service without notice. Customers should obtain the latest relevant information before placing orders and should verify that such information is current and complete. All products are sold subject to TI's terms and conditions of sale supplied at the time of order acknowledgment.

TI warrants performance of its hardware products to the specifications applicable at the time of sale in accordance with TI's standard warranty. Testing and other quality control techniques are used to the extent TI deems necessary to support this warranty. Except where mandated by government requirements, testing of all parameters of each product is not necessarily performed.

TI assumes no liability for applications assistance or customer product design. Customers are responsible for their products and applications using TI components. To minimize the risks associated with customer products and applications, customers should provide adequate design and operating safeguards.

TI does not warrant or represent that any license, either express or implied, is granted under any TI patent right, copyright, mask work right, or other TI intellectual property right relating to any combination, machine, or process in which TI products or services are used. Information published by TI regarding third-party products or services does not constitute a license from TI to use such products or services or a warranty or endorsement thereof. Use of such information may require a license from a third party under the patents or other intellectual property of the third party, or a license from TI under the patents or other intellectual property of TI.

Reproduction of TI information in TI data books or data sheets is permissible only if reproduction is without alteration and is accompanied by all associated warranties, conditions, limitations, and notices. Reproduction of this information with alteration is an unfair and deceptive business practice. TI is not responsible or liable for such altered documentation. Information of third parties may be subject to additional restrictions.

Resale of TI products or services with statements different from or beyond the parameters stated by TI for that product or service voids all express and any implied warranties for the associated TI product or service and is an unfair and deceptive business practice. TI is not responsible or liable for any such statements.

TI products are not authorized for use in safety-critical applications (such as life support) where a failure of the TI product would reasonably be expected to cause severe personal injury or death, unless officers of the parties have executed an agreement specifically governing such use. Buyers represent that they have all necessary expertise in the safety and regulatory ramifications of their applications, and acknowledge and agree that they are solely responsible for all legal, regulatory and safety-related requirements concerning their products and any use of TI products in such safety-critical applications, notwithstanding any applications-related information or support that may be provided by TI. Further, Buyers must fully indemnify TI and its representatives against any damages arising out of the use of TI products in such safety-critical applications.

TI products are neither designed nor intended for use in military/aerospace applications or environments unless the TI products are specifically designated by TI as military-grade or "enhanced plastic." Only products designated by TI as military-grade meet military specifications. Buyers acknowledge and agree that any such use of TI products which TI has not designated as military-grade is solely at the Buyer's risk, and that they are solely responsible for compliance with all legal and regulatory requirements in connection with such use.

TI products are neither designed nor intended for use in automotive applications or environments unless the specific TI products are designated by TI as compliant with ISO/TS 16949 requirements. Buyers acknowledge and agree that, if they use any non-designated products in automotive applications, TI will not be responsible for any failure to meet such requirements.

Following are URLs where you can obtain information on other Texas Instruments products and application solutions:

Products		Applications	
Amplifiers	amplifier.ti.com	Audio	www.ti.com/audio
Data Converters	dataconverter.ti.com	Automotive	www.ti.com/automotive
DLP® Products	www.dlp.com	Communications and Telecom	www.ti.com/communications
DSP	dsp.ti.com	Computers and Peripherals	www.ti.com/computers
Clocks and Timers	www.ti.com/clocks	Consumer Electronics	www.ti.com/consumer-apps
Interface	interface.ti.com	Energy	www.ti.com/energy
Logic	logic.ti.com	Industrial	www.ti.com/industrial
Power Mgmt	power.ti.com	Medical	www.ti.com/medical
Microcontrollers	microcontroller.ti.com	Security	www.ti.com/security
RFID	www.ti-rfid.com	Space, Avionics & Defense	www.ti.com/space-avionics-defense
RF/IF and ZigBee® Solutions	www.ti.com/lprf	Video and Imaging	www.ti.com/video
		Wireless	www.ti.com/wireless-apps

Mailing Address: Texas Instruments, Post Office Box 655303, Dallas, Texas 75265
Copyright © 2010, Texas Instruments Incorporated