



Commercial CCT-39 Multi-Throw Internal Terminations DC-18GHz Latching

The CCT-39 Switch is a Internally Terminated broadband, multi-throw, electromechanical coaxial switch designed to switch a microwave signal from a common input to any of 3, 4, 5, or 6 outputs. The characteristic impedance is 50 Ohms. Internal terminations provide an impedance match for the unselected ports. The switches are small using the popular connector spacing on a 1.062" dia. circle. Each position has an individual actuator mechanism allowing random position selection. This also minimizes switching time.

Specifications

RF Contacts:

Break before make

Actuator

Voltage (VDC) 20°C	12	15	28	
Latching Current (mA)	255	205	90	
Reset Current (mA)	Positions	3	765	615
		4	1020	820
		5	1275	1025
		6	1530	1230

Switching Time:

20 msec max

Terminations:

50 Ohm 2 Watts CW max

Connectors:

SMA (f)

Weight:

6 oz. max

Temperature Range:

-40°C to +65°C (Operating)

The CCT-39 comes with a latching actuator. The latching switch remains in the last position selected when the switch is de-energized. STD dual command requires a reset pulse before a new selected position. A separate reset circuit allows all positions to be set to an open position. User must provide both reset (clear) and set (select new position) commands.

Shock:

MIL-STD-202 Method 213, Condition D (500G Non Operating)

Vibration:

MIL-STD-202 Method 214, Condition D (10G RMS Non Operating)

Humidity:

Moisture Seal Available

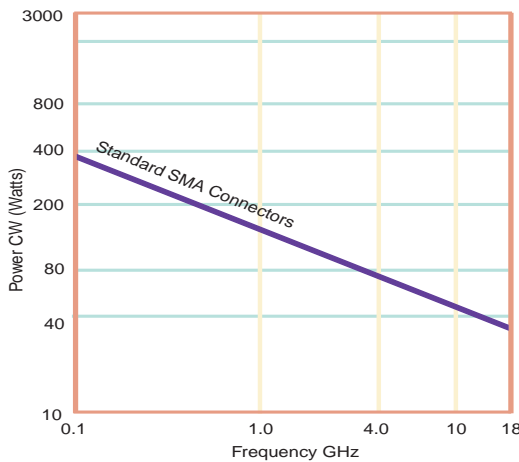
Typical Contact Life:

5 Million Cycles

DC to 6 GHz: 0.05 dB

DC to 20 GHz: 0.1 dB

RF Power Handling (Non-Terminated)

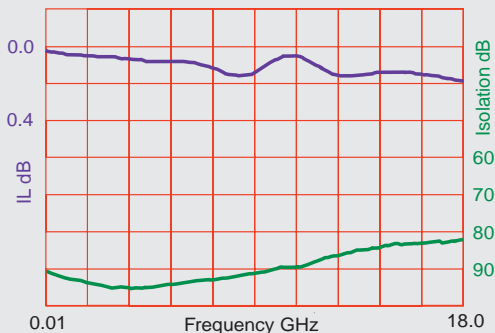
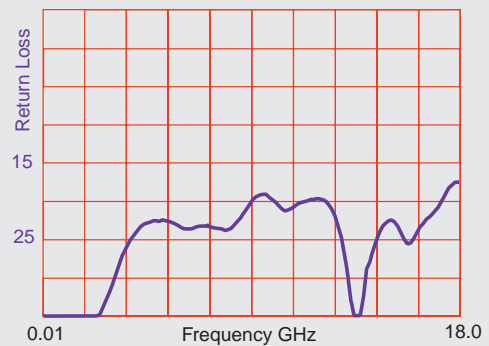


Specifications

VSWR (max)
Insertion Loss (min)
Isolation (max)

	DC-6 GHz	6-12 GHz	12-18 GHz
VSWR (max)	1.25:1	1.40:1	1.50:1
Insertion Loss (min)	0.20 dB	0.40 dB	0.50 dB
Isolation (max)	70.0 dB	60.0 dB	60.0 dB

Typical Performance



Specifications subject to change without notice.

www.teledynecoax.com
email: coax@teledyne.com

Tel: (800) 351-7368

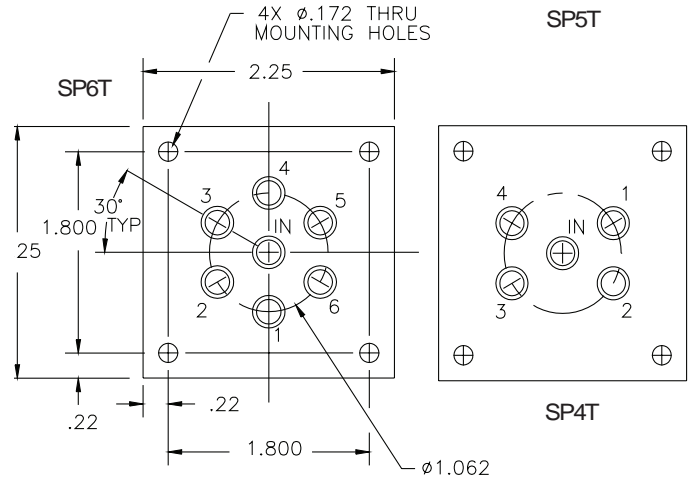
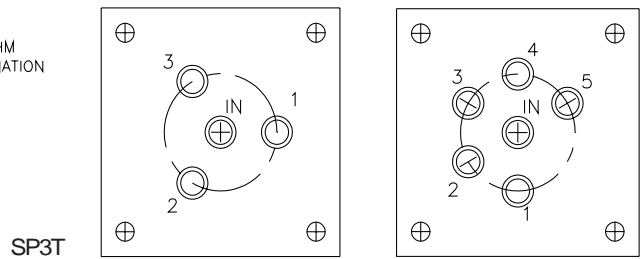
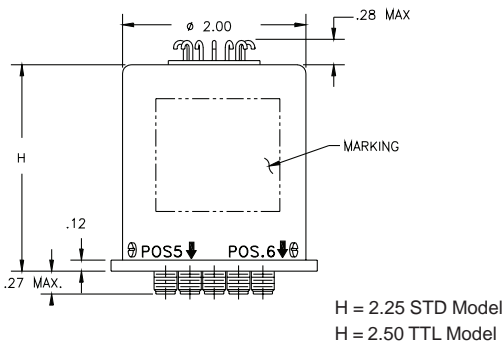
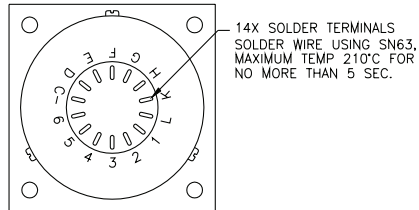
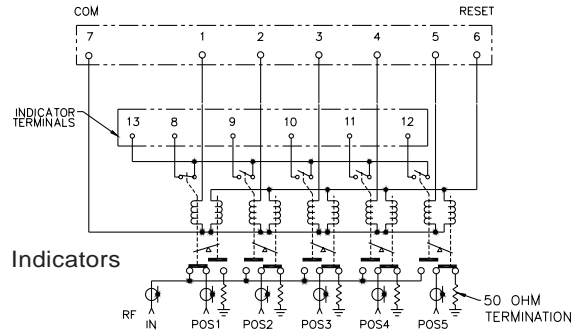
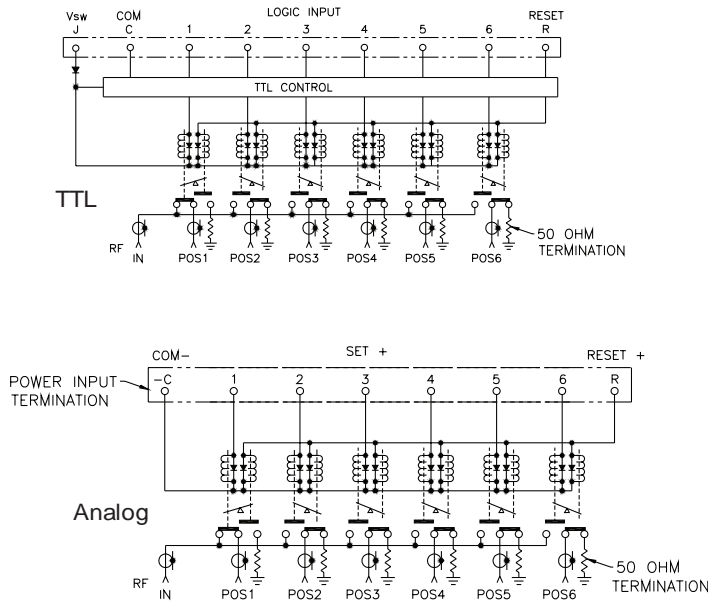
10/2007

Commercial CCT-39

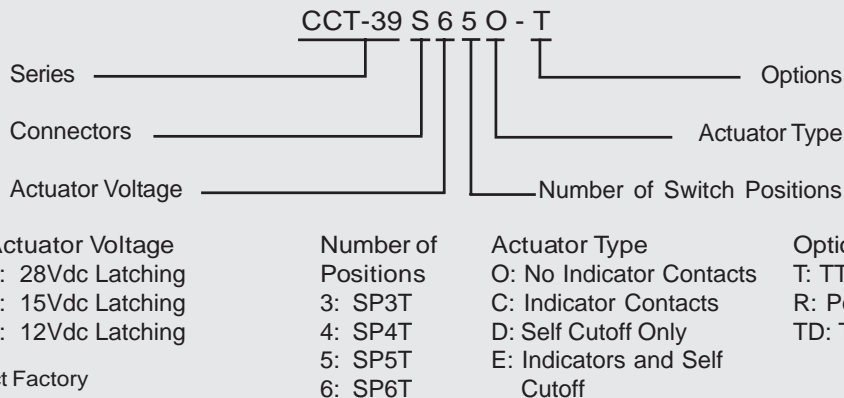
Multi-Throw

Internal Terminations DC-18GHz

Latching



Part Numbering System for CCT-39 (Latching)



For other options contact Factory



Specifications subject to change without notice.

www.teledynecoax.com
email: coax@teledyne.com

Tel: (800) 351-7368
10/2007