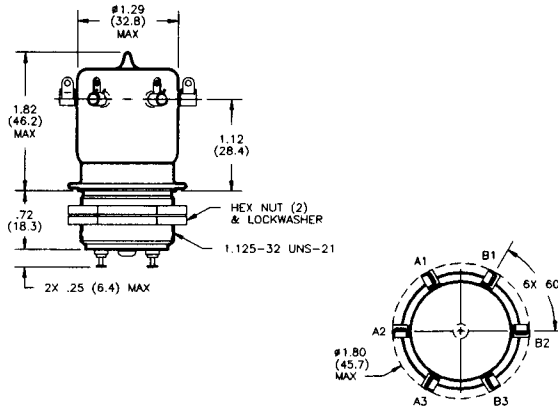


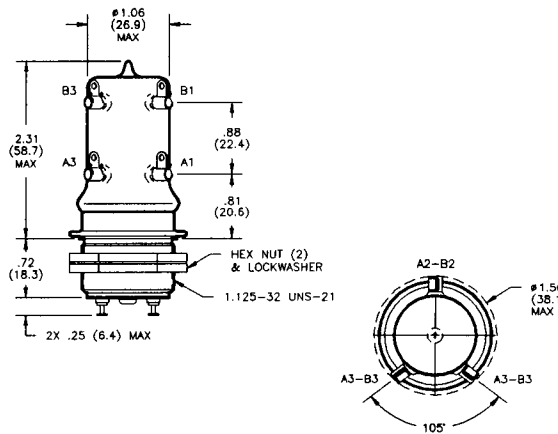
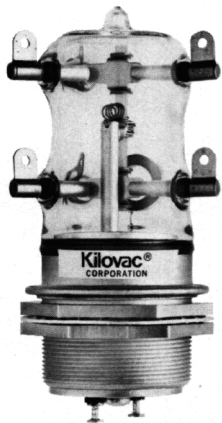
**Kilovac H-14 Make & Break Load Switching**



**Features:**

- Double pole, double throw contacts
- Vacuum dielectric for power switching low current loads
- 30 Amps DC continuous current rating
- Corona shield high voltage terminals available
- Meets requirements of MIL-R-83725

**Kilovac H-16 Make & Break Load Switching**



**Features:**

- 12 kV rating; isolates 5 kV at 32 MHz
- Vacuum dielectric for power switching low current loads
- Double pole, double throw contacts
- Widely used as a transmit/receive switch
- Meets requirements of MIL-R-83725

**PRODUCT SPECIFICATIONS**

Part Number	Units	H-14	H-16
Contact Arrangement .....		DPDT	DPDT
Contact Form .....		2C	2C
Test Voltage (dc or 60Hz) .....	kV Peak	15	15
Rated Operating Voltage .....	kV Peak		
dc or 60 Hz .....		12	12
2.5 MHz .....		10	10
16 MHz .....		8	8
32 MHz .....		5	5
Continuous Carry Current , Maximum	Amps		
dc or 60 Hz .....		30	30
2.5 MHz .....		15	10
16 MHz .....		10	6
32 MHz .....		8	4
Coil Hi-Pot (V RMS, 60 Hz) .....		500	500
Contact Capacitance .....	pF		
Between Open Contacts .....		1	1
Open Contacts to Ground .....		2.5	2.5
Contact Resistance, Maximum .....	ohms	0.015	0.03
Operate Time, Maximum .....	ms	20	20
Release Time, Maximum .....	ms	20	20
Shock, 11 ms 1/2 Sine .....	Peak G's	20	20
Vibration, 10 G's Peak .....	Hz	55-500	55-500
Operating Ambient Temperature Range .....	°C	-55 to +125	-55 to +125
Mechanical Life (Operations x 10 <sup>6</sup> ) .....	Cycles	1	0.5
Weight, Nominal .....	oz.	8	6

**COIL DATA**

Nominal, Volts dc	12	26.5	115
Pickup, Volts dc, Maximum	8	16	80
Drop-Out, Volts dc	.5 - 5	1 - 10	5 - 50
Coil Resistance (Ohms ±10%)	24	120	2000

Ratings listed are for 25°C, sea level conditions

**PART NUMBER SELECTION**

Sample Part No. H 14 /12Vdc  
 Model 14  
 16  
 Coil Voltage \_\_\_\_\_  
 Blank = 26.5 Vdc  
 /12Vdc = 12 Vdc  
 /115Vdc = 115 Vdc