

LOC	DIST	REVISIONS					
A1	—	P	LTR	DESCRIPTION	DATE	DWN	APVD
ÄNDERUNGEN, DIE DEM TECHNISCHEN FORTSCHRITT DIENEN, BEHALTEN WIR UNS VOR		P		REVISED PER ECO-11-005301	02MAR11	RK	HMR


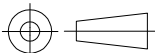
RELEASED FOR PUBLICATION
ALL RIGHTS RESERVED.

SIEHE ZEICHNUNG
826 629 BLATT 3

VON DIESER ZEICHNUNG GIBT ES KEIN ORIGINAL

THIS DRAWING IS UNPUBLISHED.
© COPYRIGHT — By —

—	—	—
BESTELL-NR.	WERKSTOFF	OBERFLÄCHE FARBE

DIMENSIONS: mm		DWN —	MATERIAL —	FINISH —
TOLERANCES UNLESS OTHERWISE SPECIFIED:		CHK —	 TE Connectivity	
0 PLC ± -	PRODUCT SPEC —	APVD —		
1 PLC ± -	APPLICATION SPEC —	—	SIZE	CAGE CODE
2 PLC ± -	—	—	A4	00779
3 PLC ± -	WEIGHT —	—	DRAWING NO C-826949	
4 PLC ± -	—	—	RESTRICTED TO —	
ANGLES ± -	—	—	CUSTOMER DRAWING	
		SCALE —	SHEET 1 OF 1	REV P