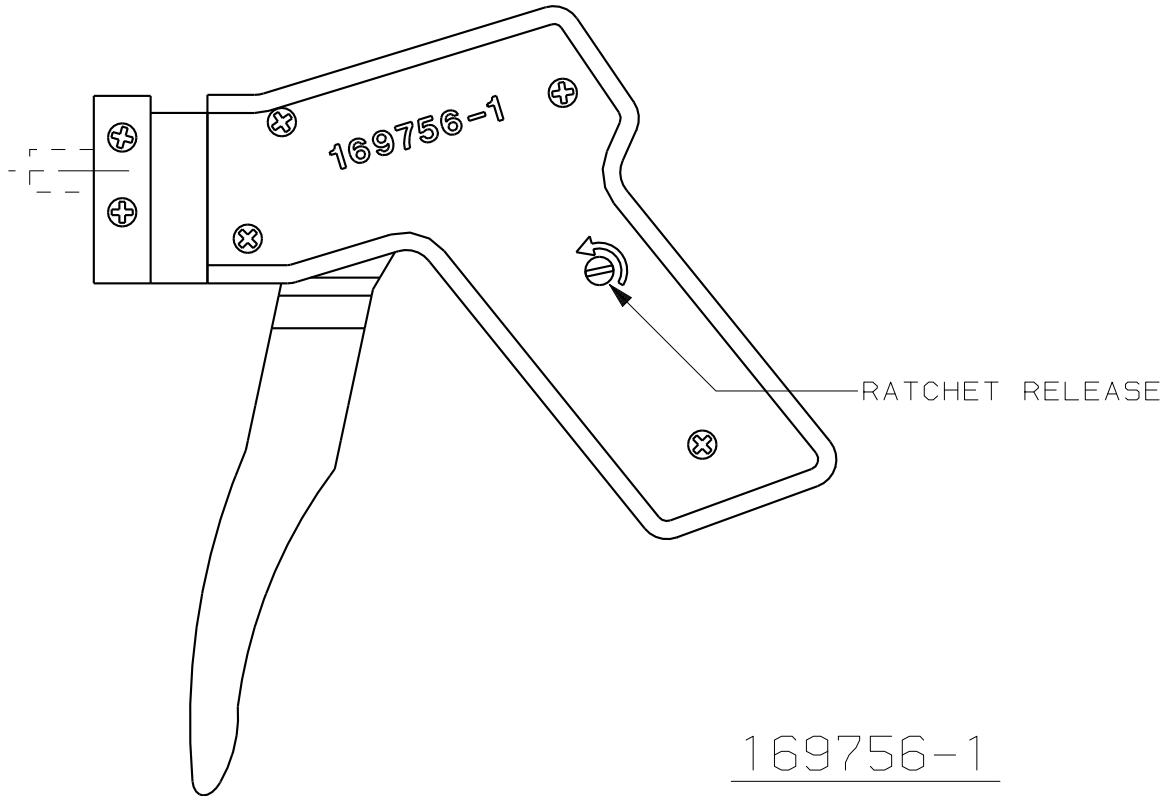
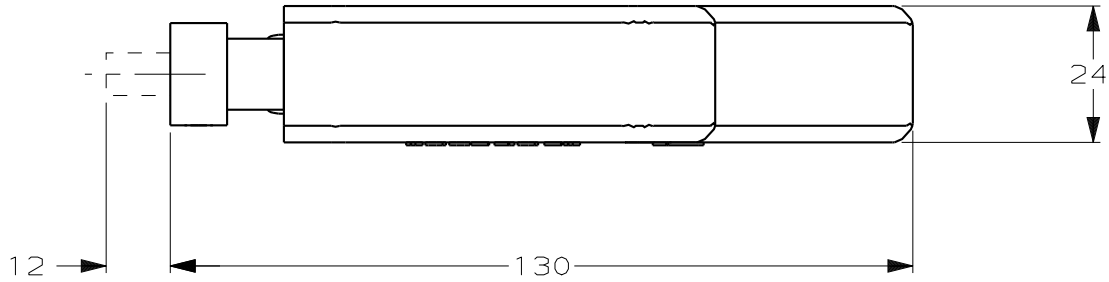
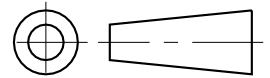


DO NOT SCALE

DIMENSIONS IN mm

METRIC

THIRD ANGLE  
PROJECTION



169756-1

		FINISH	MATERIAL	PARTNUMBER	
CUSTOMER DRAWING	FOR REFERENCE ONLY WILL NOT BE UPDATED	AMP   AMP-HOLLAND B.V. 's-Hertogenbosch, The Netherlands.			
		THIS DRAWING IS UNPUBLISHED   RELEASED FOR PUBLICATION 03 , 1987			
		© COPYRIGHT 1987 BY AMP-HOLLAND B.V. ALL INTERNATIONAL RIGHTS RESERVED. AMP PRODUCTS MAY BE COVERED BY U.S. AND FOREIGN PATENTS AND/OR PATENTS PENDING.			
DR. L.V.D.HEYDEN	DATE 08.04.1988	WIRE RANGE -	NAME PISTOLGRIP HANDTOOL	REV.DATE D M Y	
CHK. R.VOS	DATE	INSUL.RANGE -		08 04 88	
APP. L.VAN SOEST	DATE	SIZE A4	SHEET 1 OF 1	DWG. No. 169756	REV.LTR. 0