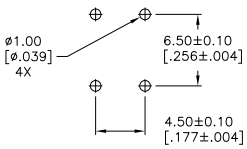
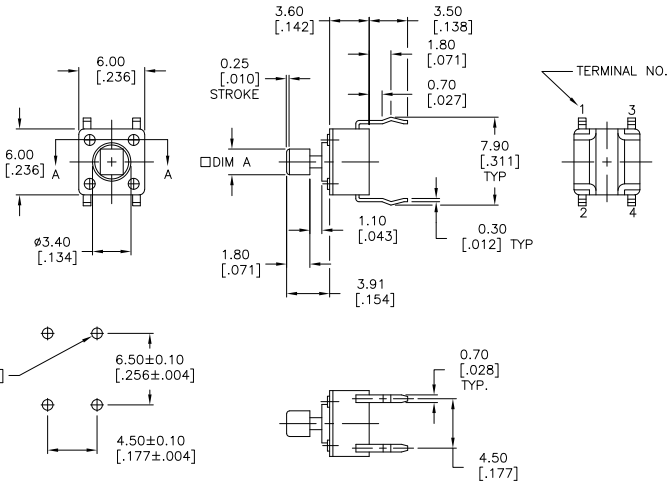


THIS DRAWING IS UNPUBLISHED. RELEASED FOR PUBLICATION. ALL RIGHTS RESERVED.

LOC	DIST	REVISIONS			
F	LNK	DESCRIPTION	DATE	BY	APPD
C		REVISED PER ECO-12-012798	24.JUL.12	KH	PO



RECOMMENDED HOLE LAYOUT
TOLERANCE ±.002 UNLESS OTHERWISE NOTED

SPECIFICATIONS:

MATERIALS:
CASE, NYLON 66, UL94HB, BLACK FINISH
COVER, PET FILM, WHITE
ACTUATOR, NYLON 66, UL94HB, SEE P/N TABLE FOR FINISH
MOVING CONTACT, COPPER ALLOY, SILVER FINISH
FIXED CONTACT/TERMINAL, COPPER ALLOY, SILVER OVER NICKEL FINISH

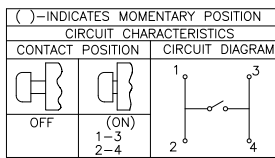
ELECTRICAL:
MAX CONTACT RATING, 50MA@ 24V DC, PER EIA-448, METHOD 6
MIN CONTACT RATING, 10MICROAMP@1V DC
INITIAL CONTACT RESISTANCE, 50 MILLIOHMS MAX, PER EIA-364-23B, EACH POSITION
INSULATION RESISTANCE, 1000 MEGOHM MIN. PER EIA-364-21C EACH POSITION
DIELECTRIC STRENGTH, 500 V AC FOR 1 MINUTE, PER EIA-364-20B, CONDITION 1, EACH POSITION.
LIFE EXPECTANCY, 100,000 CYCLES

MECHANICAL:
ACTUATION FORCE, SEE P/N TABLE
ACTUATION TRAVEL, .25 +/- .10 MM
LIFE EXPECTANCY, 100,000 CYCLES MIN (2 CYCLES PER SECOND AND 150% ACTUATION FORCE), PER EIA-448 METHODS 8 AND 9
VIBRATION, PER EIA 364-28D, CONDITION VII, LEVEL E
MECHANICAL SHOCK, PER EIA-364-27C, CONDITION A

ENVIRONMENTAL:
OPERATING TEMPERATURE, -35 TO +85 DEGREES C, PER EIA-448, METHOD 10
STORAGE TEMPERATURE, -35 TO +85 DEGREES C
HUMIDITY AND TEMPERATURE CYCLING PER EIA-364-31B, METHOD III
THERMAL SHOCK, PER EIA-364-32C, -35 TO +85 DEGREES C
SOLDERABILITY, PER EIA-364-52, CLASS 2, CATEGORY 1, TEMP, 245 DEGREES C MAX, TIME, 2.5 SECONDS MAX, 95% MINIMUM COVERAGE
RESISTANCE TO SOLDER HEAT, PER 109-202, CONDITION B
NO CHANGE IN INITIAL ELECTRICAL AND MECHANICAL CHARACTERISTICS

NOTES:

- ALL MATERIALS AND FINISHES SHALL COMPLY WITH EU DIRECTIVE 2002/95/EC OF 27JAN2003(ROHS).



RED	260±50 GF	2.42[.095]	FSMDCW	1825967-3
BLACK	160±50 GF	2.80 [.110]	FSMCDH	1825967-2
BLUE	160±50 GF	2.42 [.095]	FSMCDH	1825967-1
ACTUATOR BUTTON COLOR	ACTUATION FORCE	DIM A	ALCO PART NO.	PART NO.

DIMENSIONS		TOLERANCES UNLESS OTHERWISE SPECIFIED		APPROVED		TE Connectivity	
mm	[INCHES]	0 PLZ	1 PLZ	DATE	CHK	DATE	NAME
		0 PLZ	1 PLZ	13FEB2007	R. BROWN	13FEB2007	M. SARVER
		2 PLZ	3 PLZ	13FEB2007	M. SARVER	13FEB2007	M. SARVER
		4 PLZ	ANGLES				
MATERIAL		FINISH		APPLICATION SPEC		SIZE CASE CODE DRAWING NO	
SEE SPECIFICATIONS						A2 00779 C=1825967	
CUSTOMER DRAWING				SCALE		SHEET	
				4:1		1 of 1 REV C	