

4

3

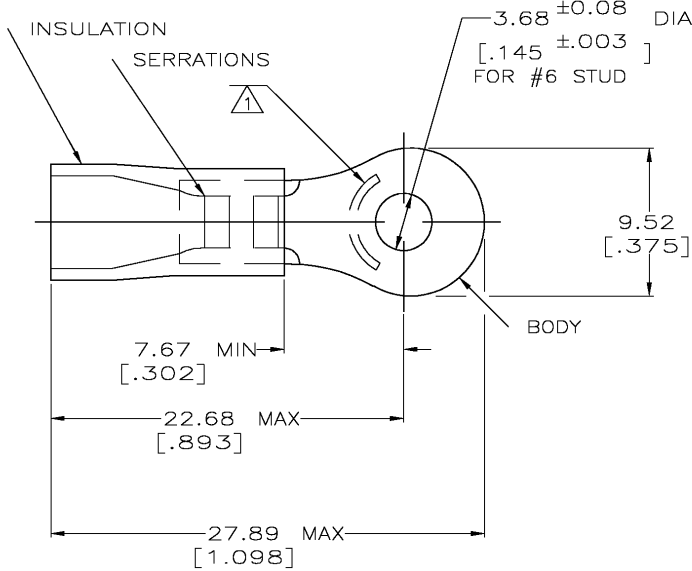
2

1

THIS DRAWING IS UNPUBLISHED. RELEASED FOR PUBLICATION
 © COPYRIGHT - BY TYCO ELECTRONICS CORPORATION. ALL RIGHTS RESERVED.

LOC	DIST	REVISIONS					
		P	LTR	DESCRIPTION	DATE	DWN	APVD
G	14		H	REV PER 0G3A-0668-04	24AUG04	JR	TM

- △ 1 STAMP AMP 12-10*, APPROX AS SHOWN
 2 WIRE INSULATION DIA: .150-.250
 3 TONGUE MATERIAL THK IS 1.02±0.05 [.040±.002]
 △ 4 MATERIAL: BODY; COPPER PER ASTM B152
 INSULATION; PVC
 COLOR; YELLOW
 △ 5 FINISH: BODY; TIN PL. PER ASTM B545



AMP WIRE RANGE	Listed	LR7189 Certified
12-10 AWG SOLID OR STRANDED	12-10 AWG SOLID OR STRANDED	12-10 AWG SOLID OR STRANDED

50	LOOSE PC,BOX	8-34168-2
2500	ON TAPE, REEL	2-34168-1
-	LOOSE PIECE	34168
QTY	PACKAGE TYPE	PART NO

AMP INCORPORATED CUSTOMER SERVICE SYSTEMS		MAX RECOMMENDED OPERATING TEMPERATURE: 105°C [221°F]	THIS DRAWING IS A CONTROLLED DOCUMENT.		DWN DK SCHRUM 08/06/92	Tyco Electronics Corporation Harrisburg, Pa 17105-3608
FOR ADDITIONAL PRODUCT INFORMATION OR COPIES OF DRAWINGS AND TECHNICAL DOCUMENTS	PRODUCT INFORMATION CENTER 1-800-522-6752	VOLTAGE RATING: N/A	DIMENSIONS: mm [INCHES]	TOLERANCES UNLESS OTHERWISE SPECIFIED:	CHK RE HERSEY 11/10/92	
FOR APPLICATION	TOOLING ASSISTANCE CENTER 1-800-722-1111	CIRCULAR MIL AREA: 2.62-6.64mm² [5180-13100] SOLID OR STRANDED		0 PLC ± - 1 PLC ± - 2 PLC ± 0.20[.008] 3 PLC ± - 4 PLC ± - ANGLES ± -	APVD M ELLIS 11/10/92	NAME TERMINAL, RING TONGUE, PLASTI-GRIP
TOOLING INFORMATION	1-800-526-5142	THIS DRAWING IS A CONTROLLED DOCUMENT FOR AMP INCORPORATED. IT IS SUBJECT TO CHANGE AND THE CONTROLLING ENGINEERING ORGANIZATION SHOULD BE CONTACTED FOR THE LATEST REVISION.	MATERIAL - △ 4	FINISH - △ 5	PRODUCT SPEC 108-1034	SIZE A3
FOR ORDER ENTRY	1-800-526-5142				APPLICATION SPEC NOT AVAILABLE	CAGE CODE 00779
					WEIGHT -	DRAWING NO 34168
					CUSTOMER DRAWING	RESTRICTED TO -
						SCALE 4:1
						SHEET 1 OF 1
						REV H

AMP 1470-19 REV 31MAR2000