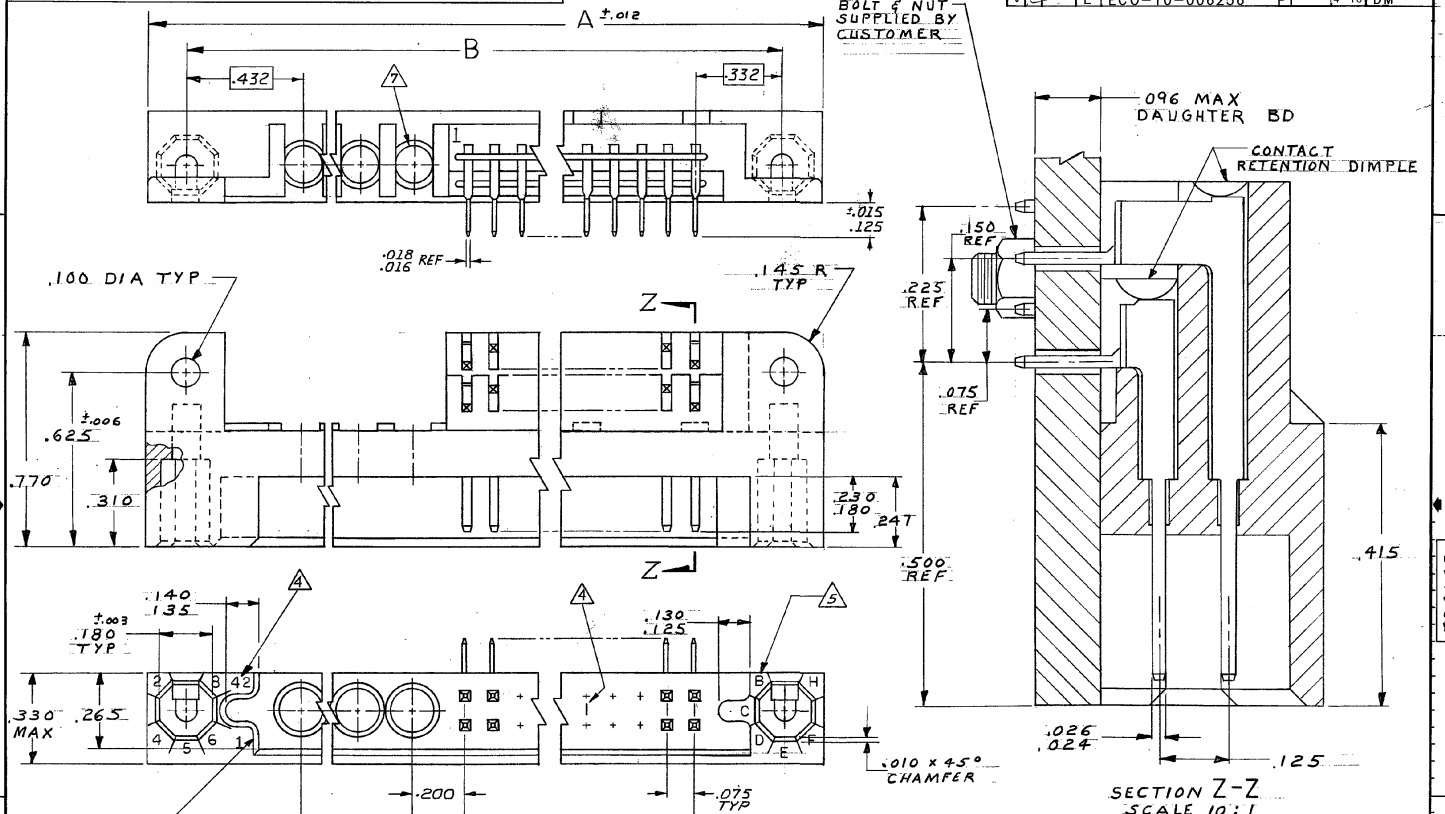


DRAWING MADE IN THIRD ANGLE PROJECTION

THIS DRAWING IS UNPUBLISHED. RELEASED FOR PUBLICATION  
 © COPYRIGHT 19 BY AMP INCORPORATED, HARRISBURG, PA. ALL INTERNATIONAL RIGHTS RESERVED. AMP PRODUCTS MAY BE COVERED BY U.S. AND FOREIGN PATENTS AND/OR PATENTS PENDING.

REVISIONS			
P	ZONE	TR	DATE APPROVED
✓	E	ECO-10-006256	PY 4-10 DM



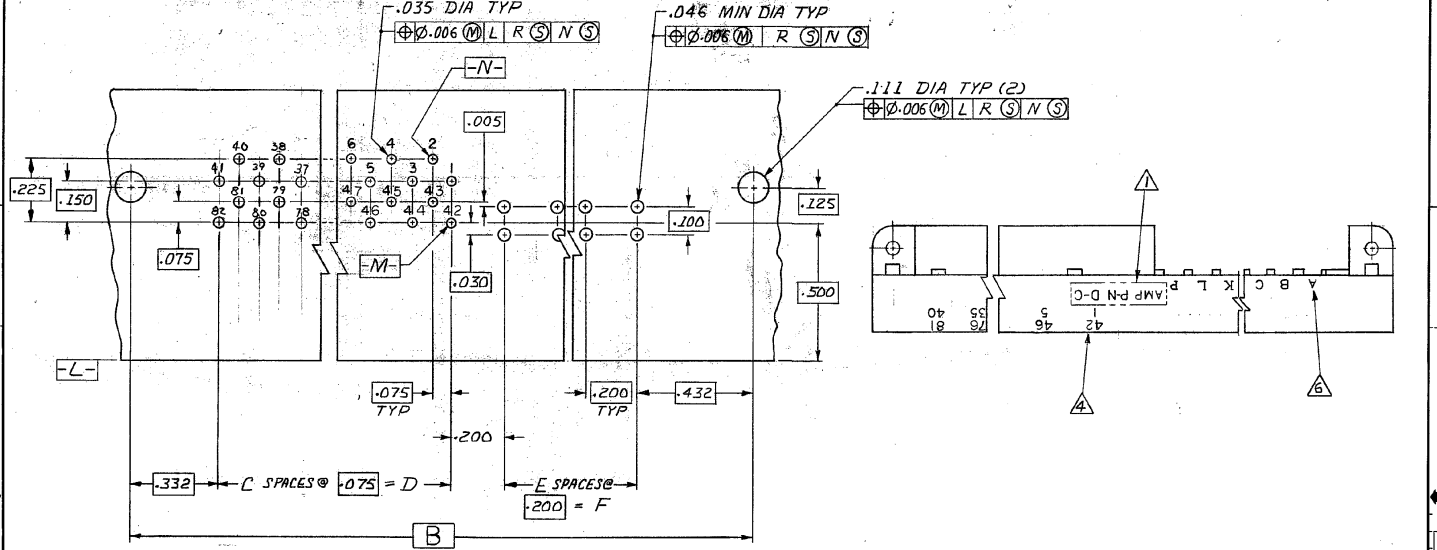
UNLESS OTHERWISE SPECIFIED DIMENSIONS ARE IN INCHES. TOLERANCES ON: DECIMALS $\pm .010$ ANGLES $\pm .010$		CONTRACT NO 8-30-85	AMP   AMP INCORPORATED Harrisburg, Pa. 17105	
MATERIAL ② ③	FINISH ③	DR <i>M. Smith</i>	CHK <i>S. B. ...</i>	NAME BOX PIN HDR ASSY, RGT ANGLE .075 x .125 & .751 ECONOMY SERIES, PJ MULTI-COAX POSN
		APPD <i>S. B. ...</i>	DATE 1-30-86	SIZE C
		DSGN APPD	DATE 11/5/86	FSCM NO 00779
		OTHER APPD		DRAWING NO 534168
				REV E
				SCALE 4:1
				SHEET 1 of 2

CUSTOMER DRAWING

DRAWING MADE IN THIRD ANGLE PROJECTION

THIS DRAWING IS UNPUBLISHED. RELEASED FOR PUBLICATION  
 © COPYRIGHT 19 BY AMP INCORPORATED, HARRISBURG, PA. ALL INTERNATIONAL RIGHTS RESERVED. AMP PRODUCTS MAY BE COVERED BY U.S. AND FOREIGN PATENTS AND/OR PATENTS PENDING.

P		F		Z		L		T		R		REVISIONS		DATE	APPROVED
SEE SHEET 1															



RECOMMENDED P.C. BD. LAYOUT (CONNECTOR SIDE)

- ▲ AMP, TE PART NUMBER AND DATE CODE MARKED IN THIS AREA
- ▲ HOUSING: POLYETHYLENE TEREPHTHALATE, COLOR-BLUE.
- ▲ CONTACT: BRASS
- FINISH: .000030 GOLD OVER .000050 NICKEL IN CONTACT CONTACT AREA, TIN-LEAD PLATE OVER NICKEL ON SOLDER TAILS.
- ▲ NUMBERS AND LINES INDICATING EVERY 5 CAVITIES MARKED ON MATING FACE, NUMBERS INDICATING EVERY 5 CAVITIES MARKED ON SIDE
- ▲ KEY POSITION IDENTIFICATION MOLDED ON SURFACE SHOWN
- ▲ COAX POSITIONS (A, B, C, D, E, F, G, H, J, K, L, P) ARE MARKED ON THIS SIDE ONLY
- ▲ WILL ACCEPT MICRO-MINIATURE COAX CONTACT, AMP P/N 227602-1 AND 227604-1. INSERT COAX CONTACT P/N 227602-1 FROM THIS SIDE BEFORE MOUNTING TO P.C. BD.

1.200	6	4.050	54	6.214	6.504	110	534168-2
2.200	11	3.000	40	6.164	6.454	82	534168-1

UNLESS OTHERWISE SPECIFIED DIMENSIONS ARE IN INCHES. TOLERANCES ON: DECIMALS ±.010 ANGLES	CONTRACT NO	AMP   AMP INCORPORATED Harrisburg, Pa. 17105	
	DR <i>M. Smith</i> 9-3-85 CHK <i>E. A. Weisheit</i> 1-30-86 APPD <i>E. A. Weisheit</i> 1-30-86 APPD <i>B. J. ...</i> 1/30/86	NAME BOX PIN HDR ASSY, RGT ANGLE, .075 X .125 & .751 ECONOMY SERIES, MULTI-COAX POSN	
MATERIAL	DSGN APPD	SIZE <b>C</b>	FSCM NO <b>00779</b>
FINISH	OTHER APPD	DRAWING NO <b>534168</b>	REV <b>E</b>
		SCALE 4:1	SHEET 2 OF 2

CUSTOMER DRAWING

AMP 1471-6 REV 2-81