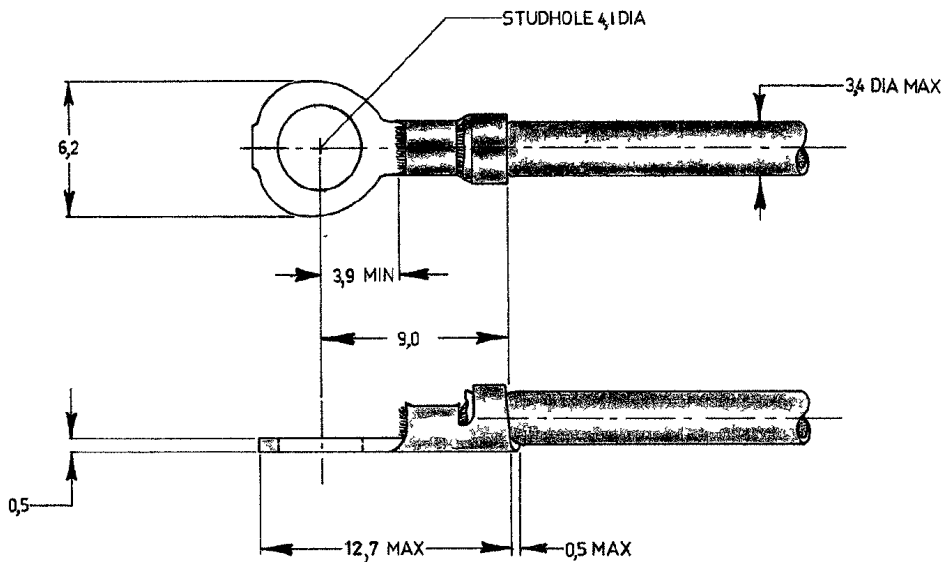


NUMBER  
C-160486-E

DIMENSIONS IN INCHES—DO NOT SCALE PRINT



ORDER № 160486

CUSTOMER PRINT  
FOR REFERENCE ONLY

©1964 BY AMP Holland N.V. ALL RIGHTS RESERVED AMP PRODUCTS COVERED BY PATENTS AND/OR PATENTS PENDING

-9	-8	-7	-6	-5	-4	-3	-2	-1	DWG SIZE	NUMBER	NAME	REMARKS	ITEM NO						
REQUIRED PER ASSEMBLY									MATERIAL	BRASS	HEAT TREAT	FINISH							
AMP										DR	R. Visser	8-6-64	DATE APP	10/16-64	DATE REL				
AMP-HOLLAND N.V. 1--HERTOGENBOSCH HOLLAND										CHK	L. J. Kees	10/16/64	DATE APP	10/16-64	DATE FIRST USED				
SCALE										4 ≈ 1	WIRE SIZE	05-14 mm	CMA	NAME	H A	NUMBER	C-160486-E	REV	1B
DESCRIPTION										RINGTONGUE WITH INS SUPPORT									

AMP 1252 H