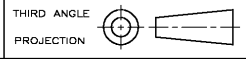
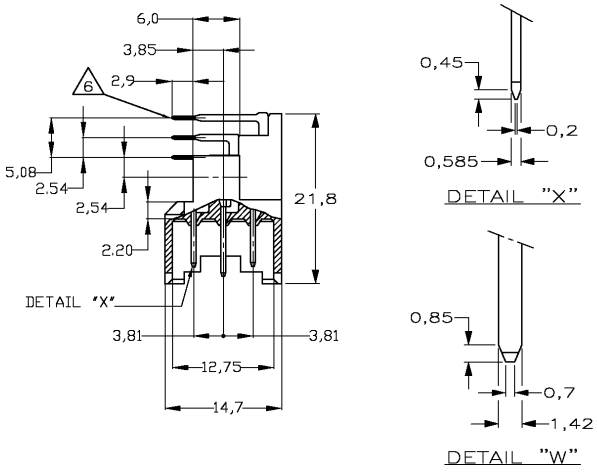


DO NOT SCALE
DIMENSIONS IN mm

METRIC



- NOTES
- 1 MATERIAL:
- HOUSING: THERMOPLASTIC POLYESTER, COLOR GREY.
- CONTACTS: BRASS.
 - 2
 - 3 PLATING CONTACT: Au OVER Ni, PERFORMANCE LEVEL II,
ACC. IEC 603-2 IN CONTACT AREA. SnPb OVER Ni ON SOLDER POST.
 - 4
 - 5
 - 6 SOLDER POSTS SUITABLE FOR P.C.B. HOLES
0,8±0,05 OR 1,0±0,1 DIA.
 - 7 8 HOLES SUITABLE FOR KEYING PIN PN. 215916-1.
 - 8 KEYING HOLES TO BE DRILLED BY CUSTOMER.



| POS. NO | N | 4 | 8 | 12 | 16 | 20 | 24 | 28 | 32 | 36 | 40 | 44 | 48 |
|----------|---|---|---|----|----|----|----|----|----|----|----|----|----|
| F 48 ROW | N | X | X | X | X | X | X | X | X | X | X | X | X |
| | D | X | X | X | X | X | X | X | X | X | X | X | X |
| | T | X | X | X | X | X | X | X | X | X | X | X | X |

AN ASTERISK „X” DENOTES A STANDARD CONTACT.
AN ASTERISK „⊗” DENOTES A FMLB CONTACT.

| | | |
|---|--|--|
| SEE NOTE 1 | 1392406-4 | |
| FINISH | MATERIAL | PARTNUMBER |
| CUSTOMER DRAWING | FOR REFERENCE ONLY WILL NOT BE UPDATED | |
| © COPYRIGHT 19 - BY Tyco Electronics EC N.V. ALL INTERNATIONAL RIGHTS RESERVED. Tyco PRODUCTS MAY BE COVERED BY U.S. AND FOREIGN AND/OR PATENTS PENDING. THIS DRAWING IS UNPUBLISHED RELEASED FOR PUBLICATION 19 | | |
| Tyco Electronics | | Tyco Electronics EC N.V. Oostkamp - Belgium |
| A SR10-0419-02 | BC BC 20 Sep '02 | NAME |
| O | BC BC 18 Sep '02 | 48 POS. DIN 41612 F MALE 90° SOLDER CONNECTOR |
| LTR. | REVISION RECORD | DR. CHK. DATE |
| DR.: B. Colpaert | CHK.: B. Colpaert | APP.: B. Colpaert |
| DATE: | DATE: | DATE: |
| DWG.No. | REV. LTR. | SHEET |
| C- 1392406 | A | 10F 1 A3 |