

4

3

2

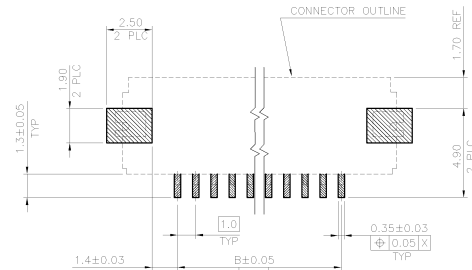
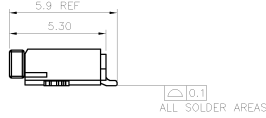
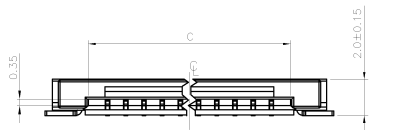
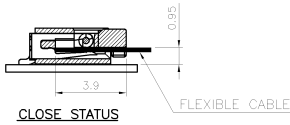
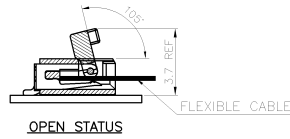
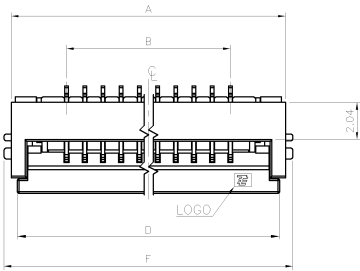
1

THIS DRAWING IS UNPUBLISHED.
 RELEASED FOR PUBLICATION
 © Copyright 2010 BY TYCO ELECTRONICS CORPORATION. ALL RIGHTS RESERVED.

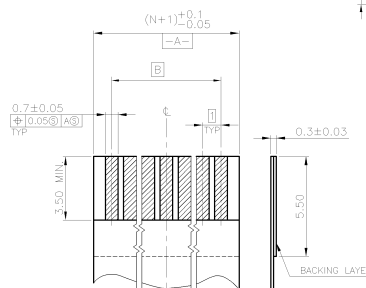
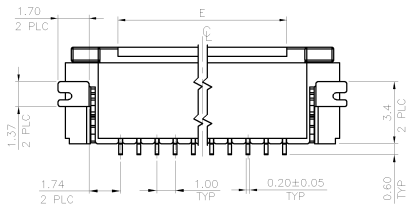
LOC	QTY	REVISIONS	DATE	BY	CHK
DW	—				
F	LWR	DESCRIPTION			
H	ECR-10-018952		13SEP10	AW	WK

NOTES:

- MATERIAL:
 HOUSING: LCP WITH 30% GF, UL94 V-0, NATURAL COLOR.
 ACTUATOR: LCP WITH 40% GF, UL94 V-0, BLACK COLOR.
 CONTACTS: PHOSPHOR BRONZE.
 PEGS: BRASS.
- FINISH:
 CONTACTS: 0.0762µm [3µ"] MIN. GOLD PLATED ON CONTACT AREA, GOLD FLASH ON SOLDER TAIL, WITH ENTIRE CONTACT UNDERPLATED 1.27µm [50µ"] MIN. NICKEL.
 PEGS: 2.54µm [100µ"] MIN. MATTE-TIN OVER 1.27µm [50µ"] MIN. NICKEL
- REFLOW SOLDER CAPABLE TO 260°C PER TEC-109-201, CONDITION B.
- SUBSTANCE RESTRICTIONS FOR LOW HALOGEN (BY WEIGHT):
 - BROMINE (Br) ≤ 900 PPM (0.09%)
 - CHLORINE (Cl) ≤ 900 PPM (0.09%)
 - TOTAL CONCENTRATION OF CHLORINE (Cl) + BROMINE (Br) ≤ 1500 PPM (0.15%)



TOLERANCE: ±0.08
 RECOMMENDED P.C.B. LAYOUT
 (TOP VIEW)



(N = NO. OF CONTACTS)
 RECOMMENDED FPC/FCC LAYOUT

35.87	7.0	34.41	31.10	29.0	35.07	30	3-2041084-0
30.87	7.0	29.41	26.10	24.0	30.07	25	2-2041084-5
21.87	7.0	20.41	17.10	15.0	21.07	16	1-2041084-6
17.87	11.28	16.41	13.10	11.0	17.07	12	1-2041084-2
15.87	9.28	14.41	11.10	9.0	15.07	10	1-2041084-0
13.87	7.28	12.41	9.10	7.0	13.07	8	2041084-8
11.87	5.28	10.41	7.10	5.0	11.07	6	2041084-6
9.87	3.28	8.41	5.10	3.0	9.07	4	2041084-4
F	E	D	C	B	A	NO. OF CONTACTS	PART NUMBER

THIS DRAWING IS A CONTROLLED DOCUMENT. DAN 07AUG2008
 A. WU
 S. HOU
 W. KODAMA
 108-57365
 APPLICATION SPEC: —
 WEIGHT: —
 FINISH: —

TYCO Electronics
 Tyco Electronics Corporation
 Taipei, Taiwan

FPC CONNECTOR, 1.0 PITCH,
 105° ZIF, BOTTOM CONTACT

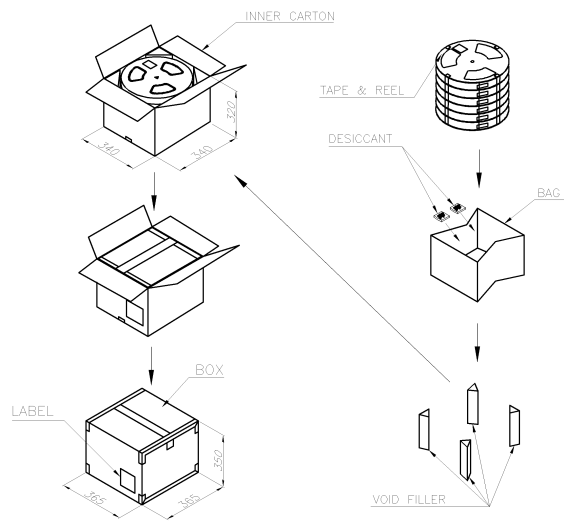
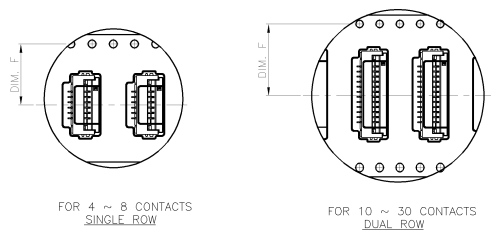
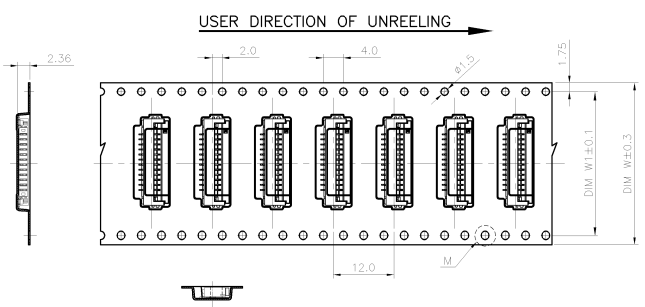
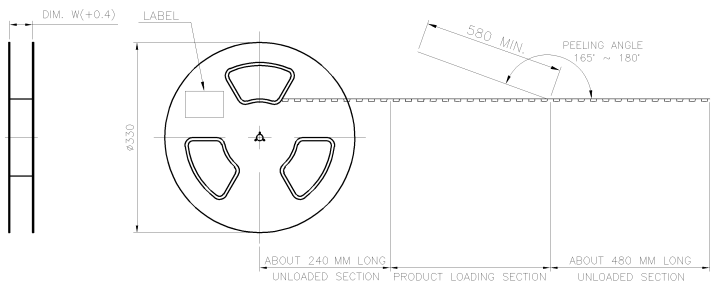
SIZE: A2 CASE CODE: 00779 DRAWING NO: C-2041084
 CUSTOMER DRAWING SCALE: — SHEET: 1 of 2 REV: H

C-2041084

A

THIS DRAWING IS UNPUBLISHED. RELEASED FOR PUBLICATION
 © Copyright 2010 BY TYCO ELECTRONICS CORPORATION. ALL RIGHTS RESERVED.

LOC		DIST		REVISIONS			
DW	---	F	LWR	DESCRIPTION	DATE	DRAWN	APPROV
				SEE SHEET 1.			



PCS/BOX	PCS/TAPE	REELS/BOX	DIM W1	DIM F	DIM W	G/W (Kg)	N/W (Kg)	NO. OF CONTACT
10000	2000	5	52.4	36.2	56	12.25	5.3	30
12000	2000	6	40.4	20.2	44	13.61	6.3	29
16000	2000	8	28.4	14.2	32	10.8	4.3	12
20000	2000	10	-	11.5	24	10.35	4.3	10
						10.21	3.86	8
						10.1	3.15	6
						9.9	2.75	4

THIS DRAWING IS A CONTROLLED DOCUMENT.

DRAWN: J.W.	DATE: 07/05/2008	 Tyco Electronics Corporation Tajpei, Taiwan
CHECKED: H.O.U.	DATE: 07/05/2008	
APPROVED: W. KODAMA	NAME:	FPC CONNECTOR, 1.0 PITCH, 105° ZIF, BOTTOM CONTACT
PRODUCT SPEC:	NAME:	
APPLICATION SPEC:	SIZE: A2	SIZE: A2
WEIGHT:	CAGE CODE: 00779	DRAWING NO: C-2041084
MATERIAL:	CUSTOMER DRAWING	RESTRICTED TO: ---
FINISH:	SCALE: ---	SHEET: 2 of 2
		REV: H