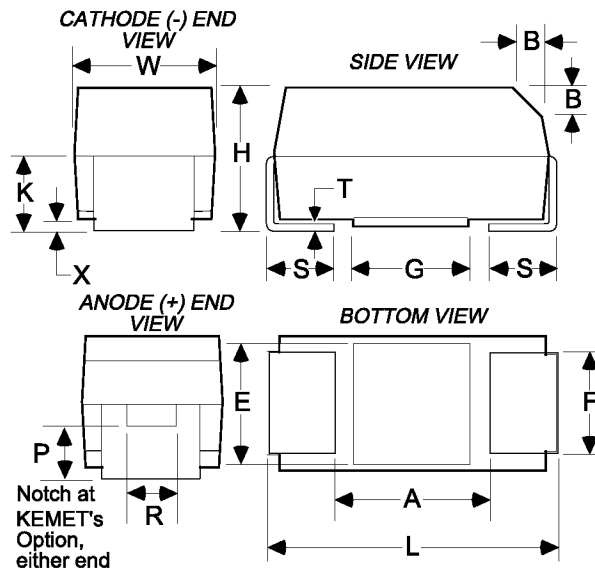


Capacitor, tantalum, 47 uF, 3528, +/-20% Tol, 6.3V@85C



Dimensions (mm)

Specifications

| ID | Dimension | Tolerance | Manufacturer: | KEMET |
|----|-----------|-----------|---------------------|-------------|
| L | 3.5 | +/-0.2 | Capacitance: | 47 uF |
| W | 2.8 | +/-0.2 | Voltage DC @ 85C: | 6.3V |
| H | 1.9 | +/-0.2 | Voltage DC @ 105C: | 6.3V |
| K | 1.1 | +/-0.2 | Tolerance: | +/-20% |
| F | 2.2 | +/-0.1 | Application: | Low ESR |
| S | 0.8 | +/-0.3 | Body Type: | Molded Chip |
| B | 0.4 | +/-0.15 | Temperature Range: | -55/+105C |
| X | 0.1 | ref | ESR: | 70 mOhm |
| P | 0.5 | ref | Footprint: | 3528 |
| R | 1 | ref | Termination: | Tin |
| T | 0.13 | ref | Leakage Current: | 30 uA |
| A | 1.1 | ref | Dissipation Factor: | 8% |
| G | 1.8 | ref | Ripple @ 25C: | 1.3 A |
| E | 2.2 | ref | Ripple @ 85C: | 0.91 A |
| | | | Ripple @ 105C: | 0.325 A |
| | | | Package Kind: | T&R |
| | | | Package Quantity: | 8000 |