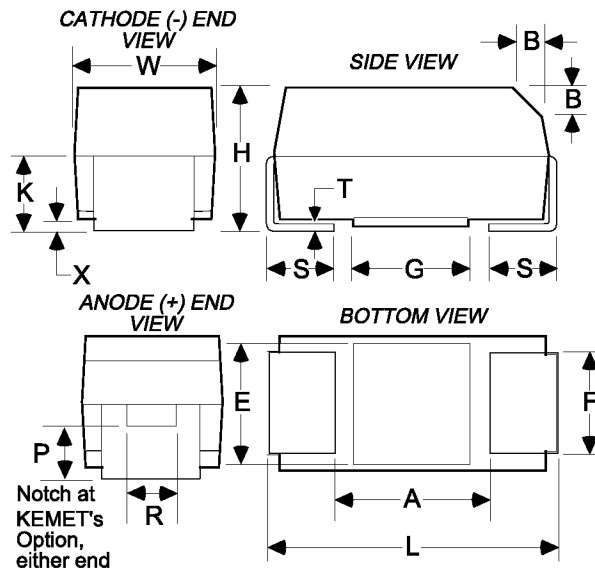


Capacitor, tantalum, 68 uF, 6032, +/-20% Tol, 10V@85C



Dimensions (mm)

Specifications

ID	Dimension	Tolerance	Manufacturer:	KEMET
L	6	+/-0.3	Capacitance:	68 uF
W	3.2	+/-0.3	Voltage DC @ 85C:	10V
H	2.5	+/-0.3	Voltage DC @ 105C:	8.2V
K	1.4	+/-0.2	Voltage DC @ 125C:	6.3V
F	2.2	+/-0.1	Tolerance:	+/-20%
S	1.3	+/-0.3	Application:	Low ESR
B	0.5	+/-0.15	Body Type:	Molded Chip
X	0.1	ref	Temperature Range:	-55/+125C
P	0.9	ref	ESR:	250 mOhm
R	1	ref	Footprint:	6032
T	0.13	ref	Termination:	Tin
A	2.5	ref	Leakage Current:	6.8 uA
G	2.8	ref	Dissipation Factor:	6%
E	2.4	ref	Ripple @ 25C:	0.66 A
			Ripple @ 85C:	0.594 A
			Ripple @ 125C:	0.264 A
			Package Kind:	T&R
			Package Quantity:	750