

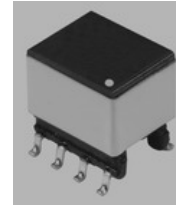
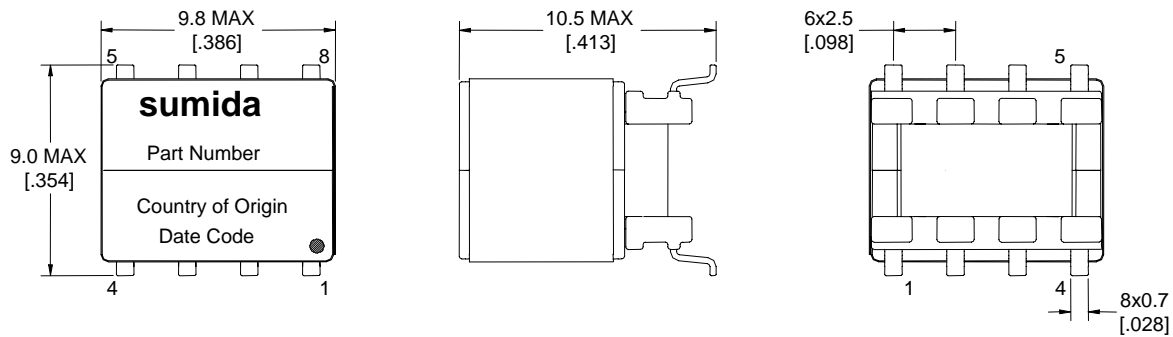
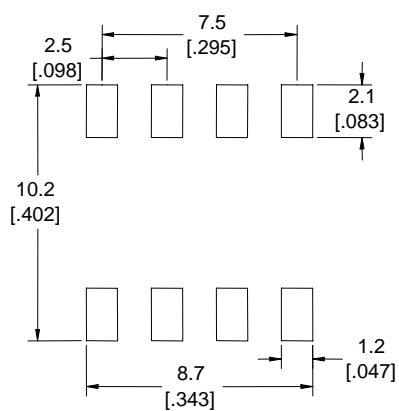
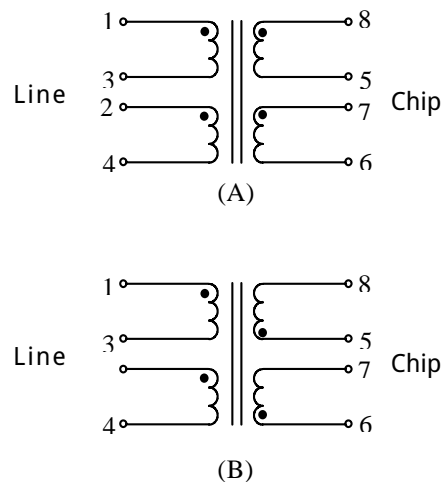
Type: CEP810

Product Description

9.8× 9.0mm Max.(L× W),10.5mm Max. Height.

Feature

- xDSL line transformer.
- Ideally used in ADSL/VDSL Central Office.
- Approved by Broadcom,Conexant and Infineon.
- RoHS Compliance.


Dimensions (mm)

Land Pattern (mm)

Schematics(Bottom)


Type: CEP810

 Specification

Part No.	Inductance (nom. μH)	Turns ratio	THD (dB) (TYP.)	Insulation	Application
C10107	1000	0.9:1	-75(25 k, 2.0V)	Functional	ADSL CO
C10138	1100	0.408:1	-76.2(25k,5V)	Functional	ADSL CO
C10141	100	0.408:1	-80 (50k,2.5V)	Functional	ADSL CO
C10149	1200	2.3:1	-82.9 (25k,4V)	Supplementary	ADSL CO
C10168	1444	1.31:1	-89.8(30k,2V)	Basic	ADSL CO
C10169	82	1.33:1		Basic	ADSL CO
C10176	750	0.408:1	-75 (25k,2V)	Functional	ADSL CO
C10177	1200	3:1	-94.2 (40k,2V)	Supplementary	ADSL CO
C10178	400	1:1.4	-88.4 (40k,2V)	Supplementary	ADSL CO
C10197	99	0.9:1	-80 (50k,2.5V)	Functional	ADSL CO
C10199	99	0.408:1	-80 (50k,2.5V)	Basic	ADSL CO
C10203	99	0.9:1	-80 (50k,2.5V)	Basic	ADSL CO
C10204	420	1.2:1	-80(30k,1.4V)	Basic	ADSL CO
C14103	800	2:1	-80.0 (50K,5V)	Basic	VDSL
C14106	470	1.33:1	-80.0 (30K,1V)	Functional	VDSL
C14109	270	1.33:1	-85.0 (138K,2V)	Functional	VDSL
C14119	270	1.33:1	-85.0 (138K,2V)	Supplementary	VDSL
C14120	800	1.3:1	-75 (50k,5V)	Functional	VDSL