



■ Features :

- Universal AC input / Full range
- Built-in active PFC function, PF>0.95
- Protections: Short circuit / Overload / Over voltage / Over temperature
- Fixed switching frequency at 100KHz
- Output voltage programmable from 20~110% by 1~5.5VDC external control signal
- 3 years warranty

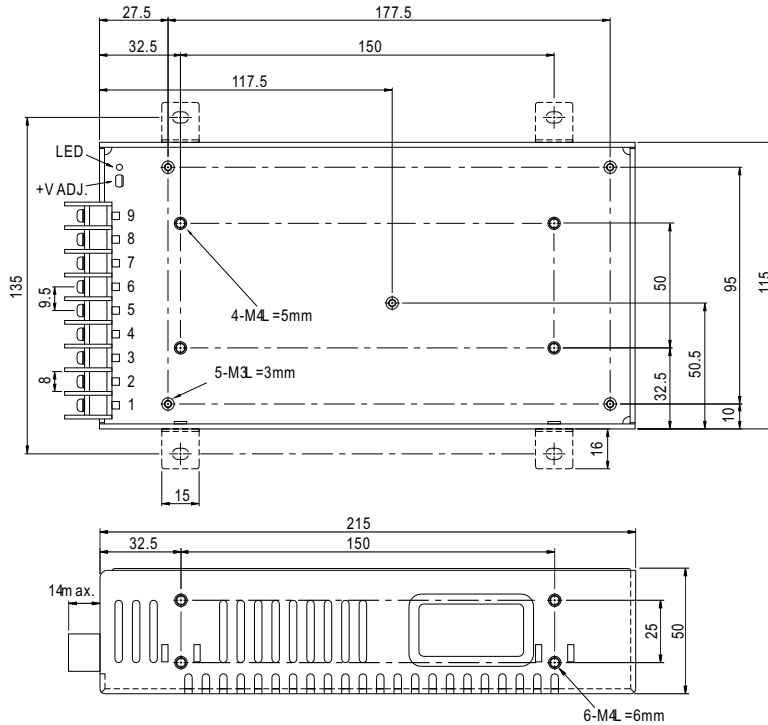


**SPECIFICATION**

MODEL	SPV-150-12	SPV-150-24	SPV-150-48	
OUTPUT	DCVOLTAGE	12V	24V	48V
	RATEDCURRENT	12.5A	6.25A	3.125A
	CURRENTRANGE	0~1.25A	0~0.25A	0~0.125A
	RATEDPOWER	150W	150W	150W
	RIPPLE&NOISE(max.) Note.2	150mVp-p	150mVp-p	240mVp-p
	VOLTAGEADJRANGE	10~1.32V	20~2.64V	40~5.28V
	VOLTAGE TOLERANCE Note.3	±1.0%	±1.0%	±1.0%
	LINEREGULATION	±0.3%	±0.2%	±0.2%
	LOADREGULATION	±0.5%	±0.5%	±0.5%
SETUPRISETIME	800ms/50ms/230VAC 500ms/50ms/115VACat full load			
HOLDUP TIME (Typ.)	16ms/230VAC 6ms/115VACat full load			
INPUT	VOLTAGERANGE Note.5	88~264VAC 24~370VDC		
	FREQUENCYRANGE	47~63Hz		
	POWERFACTOR (Typ.)	PF>0.94/230VAC PF>0.98/115VACat full load		
	EFFICIENCY (Typ.)	82%	83%	83%
	ACCURRENT (Typ.)	2.5A/115VAC 0.25A/230VAC		
	INRUSHCURRENT (Typ.)	20A/115VAC 2.0A/230VAC		
LEAKAGECURRENT	<1mA @ 40VAC			
PROTECTION	OVERLOAD	105~150% rated output power Protection type: Constant current limiting, recovery automatic, 15 minutes after fault condition is removed		
	OVERVOLTAGE	13.8~16.2V	27.6~32.4V	57.6~72V
	OVERTEMPERATURE	80°C ±5°C (TSW) (Tetech heatsink power transistor) Protection type: shutdown, recovery automatic, 15 minutes after temperature is cooled down		
FUNCTION	REMOTECONTROL	4~1.0VDC over 0~0.8VDC over 0		
	OUTPUTVOLTAGERIM	2.4~1.32V	4.8~2.64V	9.6~5.28V
ENVIRONMENT	WORKINGTEMP.	-20~+65°C (Refer to output load derating curve)		
	WORKINGHUMIDITY	20~90%RH non-condensing		
	STORAGEEMP.HUMIDITY	-40~+85°C (0~95%RH)		
	TEMPCOEFFICIENT	±0.03%/°C (0~50°C)		
SAFETY EMC (Note4)	VIBRATION	10~500Hz 2G 0min./1cycle 0min. each long X, Y, Z axes		
	SAFETY STANDARDS	UL60950-1, TUVEN60950-1 approved		
	WITHSTANDVOLTAGE	I/P-O/P:3KVAC /P-FG:1.5KVAC /P-FG:0.5KVAC		
	ISOLATIONRESISTANCE	I/P-O/P/J/P-FG,O/P-FG:100MΩ min @ 500VDC @ 5~170%RH		
	EMC CONDUCTION & RADIATION	Compliance to EN55022 / CISPR22 Class B		
OTHERS	HARMONIC CURRENT	Compliance to EN61000-3-2, -3		
	EMSMUNITY	Compliance to EN61000-4-2, 3, 4, 5, 6, 8, 11 / EN50204 / EN55024 / IEC 61000-4-2, 3, 4, 5, 6, 8, 11		
NOTE	MTBF	207khr min. (IL-HDBK-217R(25) °C)		
	DIMENSION	215*115*50mm(L*W*H)		
	PACKING	1.1Kg/12pcs/14Kg/0.92CUFT		
<p>1. All parameters NOT specially mentioned are measured at 230VAC input, rated load and 25°C of ambient temperature.                  2. Ripple &amp; noise are measured at 20MHz of bandwidth by using a 12" twisted pair-wire terminated with a 0.1uF &amp; 47uF parallel capacitor.                  3. Tolerance : includes set up tolerance, line regulation and load regulation.                  4. Mean Well reserves the right to adjust this spec when deemed appropriate.                  5. Derating may be needed under low input voltages. Please check the derating curve for more details.</p>				

### Mechanical Specification

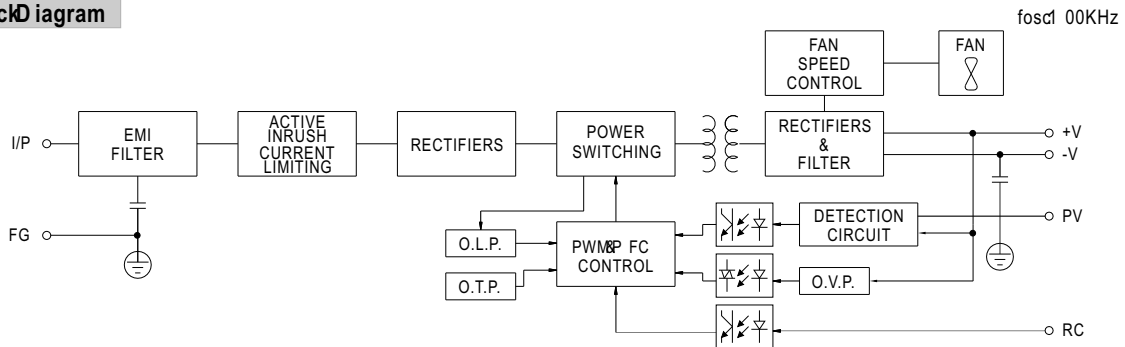
Case No. 0912L Unit: mm



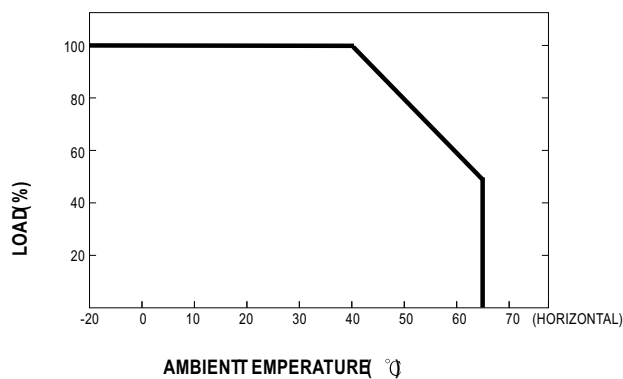
Terminal Pin No. Assignment

Pin No.	Assignment	Pin No.	Assignment
1	AC/L	5	PV
2	AC/N	6-7	DC OUTPUT -V
3	FG	8-9	DC OUTPUT +V
4	RC		

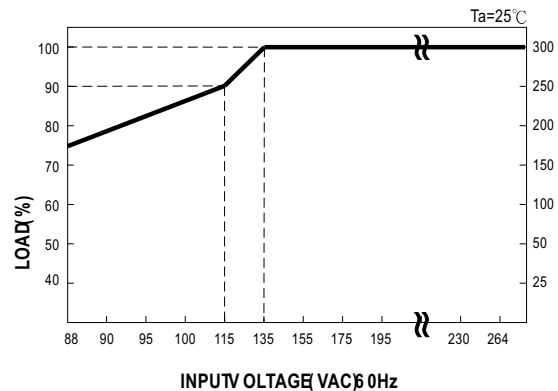
### Block Diagram



### Derating Curve



### Static Characteristics



■ Function Manual

1.External Voltage Control

