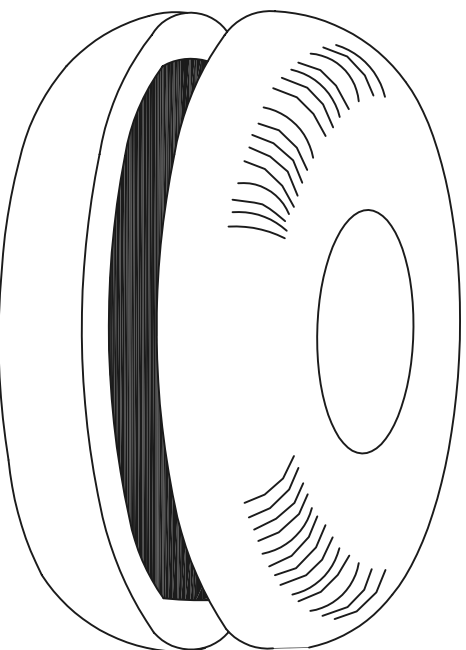
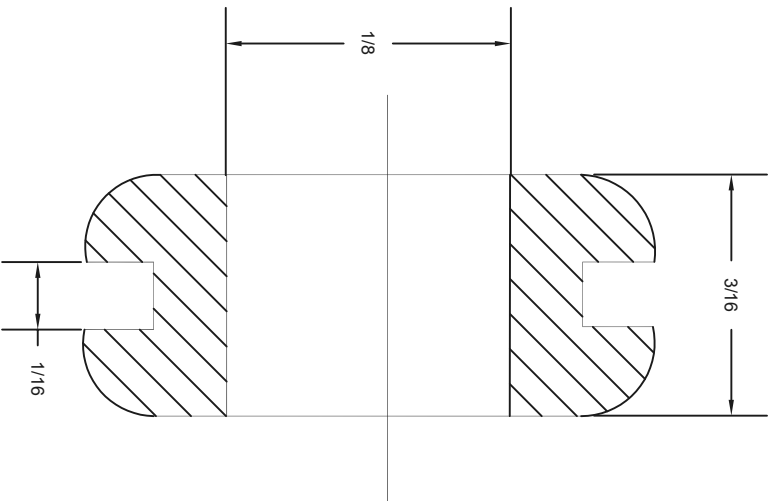
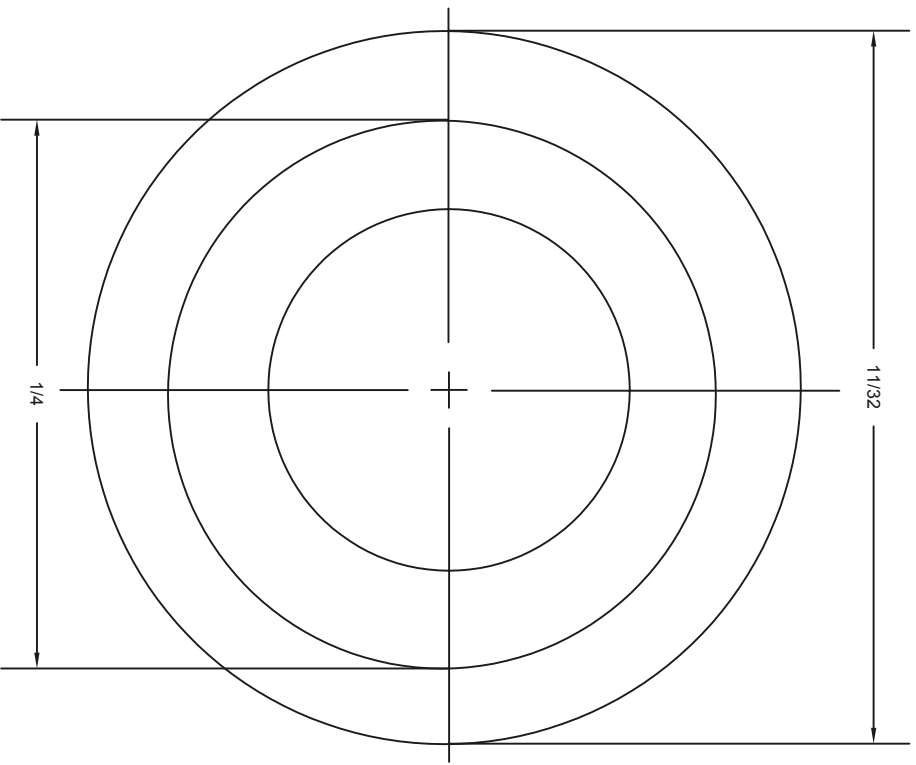




SPC
TECHNOLOGY

ALL RIGHTS RESERVED. NO PORTION OF THIS PUBLICATION, WHETHER IN WHOLE OR IN PART CAN BE REPRODUCED WITHOUT THE EXPRESS WRITTEN CONSENT OF SPC TECHNOLOGY.
SPC-F005.DWG

REVISIONS		DOC. NO. SPC-F005	* Effective: 7/8/02	* DCP No: 1398				
DCP #	REV	DESCRIPTION	DRAWN	DATE	CHECKD	DATE	APPRVD	DATE
			JAG	01-08-10	RED	05-08-10	XXX	16-08-10



Specifications:

1. Material: Vinyl, Black
2. Exceptional aging qualities
3. High dielectric properties.
4. Durometer hardness 45 1045
5. Will not stain most surfaces.
6. Oil resistant.

Dimensions : Inches

Part Number Table

Description	Part Number
Vinyl Grommet	SPC21795

TOLERANCES:

UNLESS OTHERWISE SPECIFIED, DIMENSIONS ARE FOR REFERENCE PURPOSES ONLY.

DISCLAIMER:
ALL STATEMENTS AND TECHNICAL INFORMATION CONTAINED HEREIN ARE BASED UPON INFORMATION AND/OR TESTS WE BELIEVE TO BE ACCURATE AND RELIABLE. SINCE CONDITIONS OF USE ARE BEYOND OUR CONTROL, THE USER SHALL DETERMINE THE SUITABILITY OF THE PRODUCT FOR THE INTENDED USE AND ASSUME ALL RISK AND LIABILITY WHATSOEVER IN CONNECTION THEREWITH.

DRAWN BY:

JAG

DATE:

01-08-10

DRAWING TITLE:

Vinyl Grommet

CHECKED BY:

RED

DATE:

05-08-10

DWG. NO.

XXX

ELECTRONIC FILE

50N6488

REV

A

APPROVED BY:

XXX

DATE:

16-08-10

SCALE:

NTS

U.O.M.: INCHES [mm]

SHEET:

1 OF 1