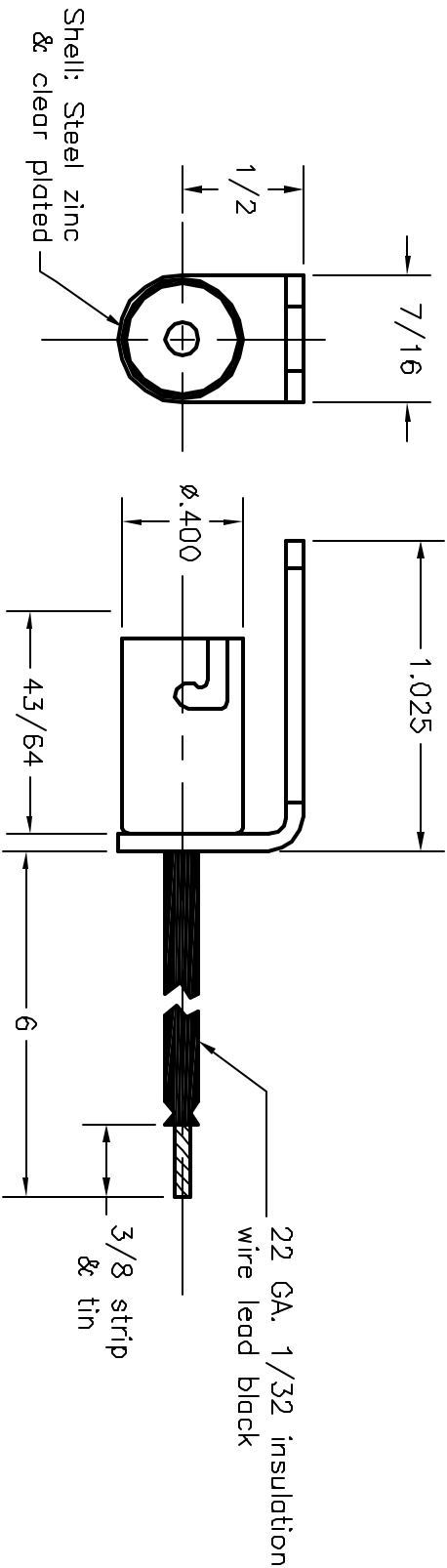
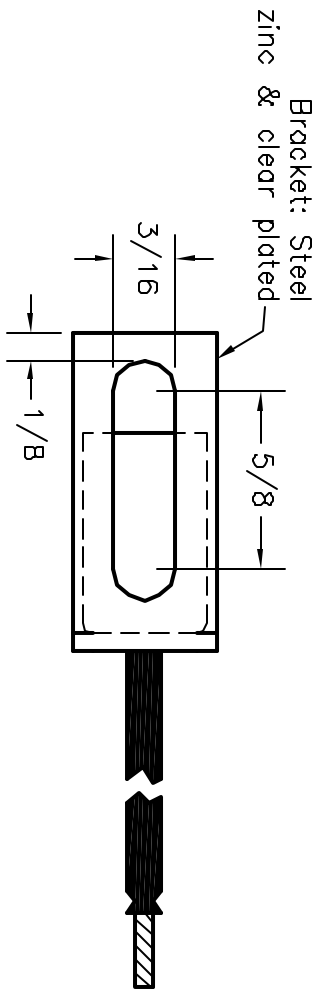


ALL RIGHTS RESERVED. NO PORTION OF THIS PUBLICATION, WHETHER IN WHOLE OR IN PART CAN BE REPRODUCED WITHOUT THE EXPRESS WRITTEN CONSENT OF SPC TECHNOLOGY.

REVISIONS		DOC. NO.	DATE	CHECKED	DATE	APPROVID	DATE
DQP #	REV	DESCRIPTION	DRAWN	DATE	CHECKED	DATE	DATE
1948	A	RELEASED	HYD	2/16/00	JC	3/3/00	4/29/00



DISCLAIMER:
 ALL STATEMENTS AND TECHNICAL INFORMATION CONTAINED HEREIN ARE BASED UPON INFORMATION AND/OR TESTS WE BELIEVE TO BE ACCURATE AND RELIABLE. SINCE CONDITIONS OF USE ARE BEYOND OUR CONTROL, THE USER SHALL DETERMINE THE SUITABILITY OF THE PRODUCT FOR THE INTENDED USE AND ASSUME ALL RISK AND LIABILITY WHATSOEVER IN CONNECTION THEREWITH.

SPC TECHNOLOGY

Tolerances Unless Otherwise Specified
 Fractional ± 1/64
 Decimal
 .XXX ± .005

DRAWING TITLE:
 Miniature Bayonet Lamp holder With One Wire lead

DRAWN BY: HISHAM ODISH **DATE:** 2/16/00

CHECKED BY: JOHN COLE **DATE:** 3/3/00

APPROVED BY: DANIEL CAREY **DATE:** 4/28/00

SCALE: NTS

SIZE DWG. NO.: A **SPC21767**

ELECTRONIC FILE: 16M1258.DWG

REV: A

SHEET: 1 OF 1