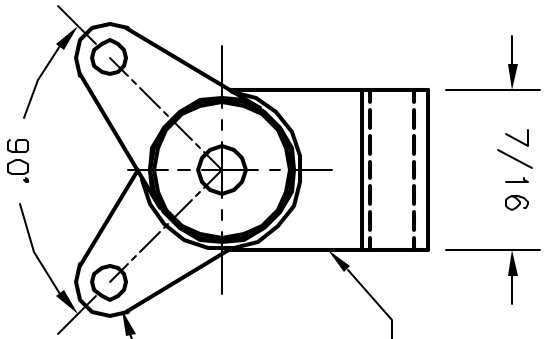


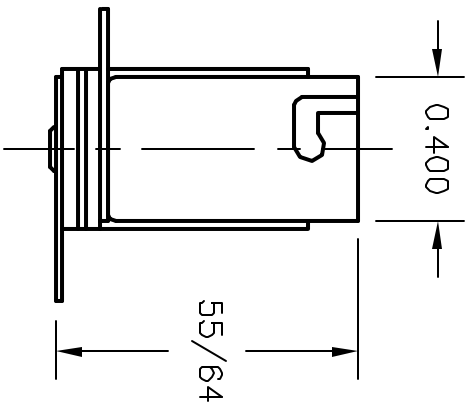
ALL RIGHTS RESERVED. NO PORTION OF THIS PUBLICATION, WHETHER IN WHOLE OR IN PART CAN BE REPRODUCED WITHOUT THE EXPRESS WRITTEN CONSENT OF SPC TECHNOLOGY.

REVISIONS		DOC. NO. SPC-F004	DATE	DESCRIPTION	DATE	APPROV	DATE
DCP #	REV	DESCRIPTION	DRAWN	DATE	CHECKED	DATE	DATE
1848	A	RELEASED	JIM	09/29/08	JMM	09/29/08	JMM

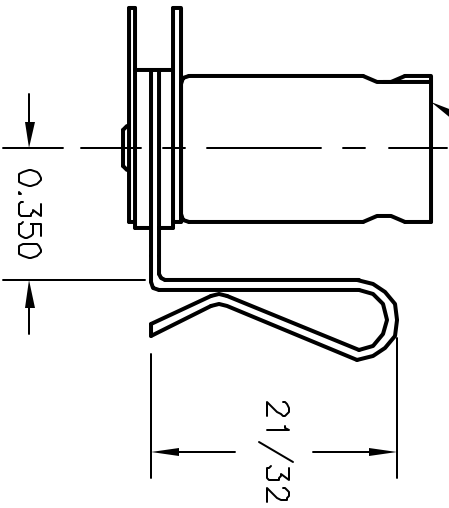


BRACKET: ZINC & CLEAR PLATED

SOLDER TERMINALS, ELECTRO TIN OVER COPPER FLASH



SHELL: ZINC & CLEAR PLATED



SPC-F004.DWG

ALL RIGHTS AND TECHNICAL INFORMATION CONTAINED HEREIN ARE UNCLASSIFIED UNLESS INDICATED OTHERWISE. THIS DOCUMENT IS UNCLASSIFIED EXCEPT WHERE SHOWN OTHERWISE. THIS DOCUMENT IS UNCLASSIFIED EXCEPT WHERE SHOWN OTHERWISE. THIS DOCUMENT IS UNCLASSIFIED EXCEPT WHERE SHOWN OTHERWISE.



DRAWING TITLE:		MINIATURE BAYONET BASE LAMPHOLDER WITH CLIP	
DRAWN BY:	DATE:	SIZE:	DWG. NO.:
Joann Nash	09/29/08	A	SPC21728
CHECKED BY:	DATE:	ELECTRONIC FILE	REV
JMM	09/29/08	16M1219.DWG	A
APPROVED BY:	DATE:	SCALE:	NTS
JMM	09/29/08	U.O.M.: INCHES	SHEET: 1 OF 1

TOLERANCES UNLESS OTHERWISE SPECIFIED FRACTIONAL & 1/16 DECIMAL .XXX & .XXX ANGULAR ±1°