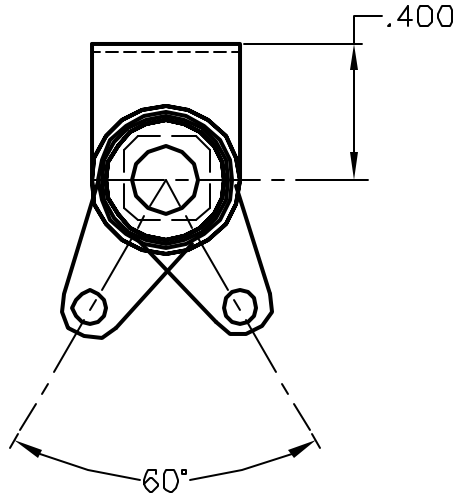


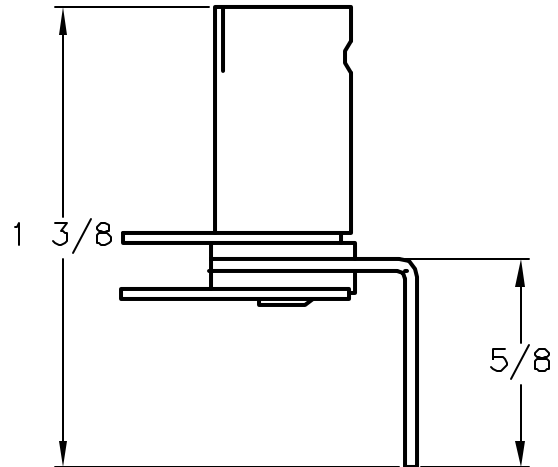
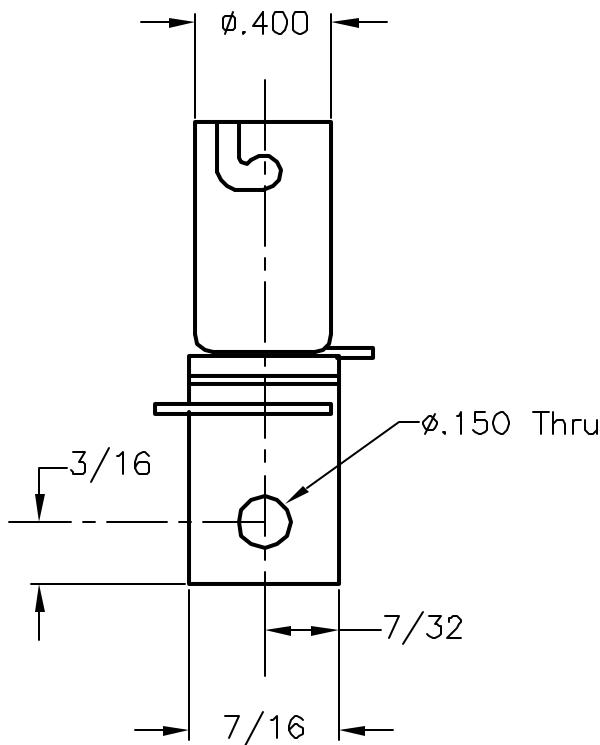
ALL RIGHTS RESERVED. NO PORTION OF THIS PUBLICATION, WHETHER IN WHOLE OR IN PART CAN BE REPRODUCED WITHOUT THE EXPRESS WRITTEN CONSENT OF SPC TECHNOLOGY.

REVISIONS			DDC. NO. SPC-F004 * Effective: 12/21/98 * DCP No: 680					
DCP #	REV	DESCRIPTION	DRAWN	DATE	CHECKD	DATE	APPRVD	DATE
1946	A	Released	JWM	9/24/99	JC	2/2/00	DJC	4/5/00



NOTES:

1. Bracket and shell zinc and clear plated. Terminals electro tin over copper flash.



SPC-F004.DWG

DISCLAIMER:  
ALL STATEMENTS AND TECHNICAL INFORMATION CONTAINED HEREIN ARE BASED UPON INFORMATION AND/OR TESTS WE BELIEVE TO BE ACCURATE AND RELIABLE. SINCE CONDITIONS OF USE ARE BEYOND OUR CONTROL, THE USER SHALL DETERMINE THE SUITABILITY OF THE PRODUCT FOR THE INTENDED USE AND ASSUME ALL RISK AND LIABILITY WHATSOEVER IN CONNECTION THEREWITH.



SPC TECHNOLOGY

Tolerances unless Otherwise Specified Fractional $\pm 1/64$ .XXX $\pm .005$ Angular $\pm 1^\circ$	DRAWN BY:	DATE:	DRAWING TITLE:			
	Jeff McVicker	9/24/99	Single Contact Miniature Bayonet LAMP HOLDER			
	CHECKED BY:	DATE:	SIZE	DWG. NO.	ELECTRONIC FILE	REV
	John Cole	2/2/00	A	SPC21722	16M1213.DWG	A
	APPROVED BY:	DATE:	SCALE:	U.O.M.:	SHEET:	
	Daniel Carey	4/5/00	NTS	INCHES [mm]	1 OF 1	