



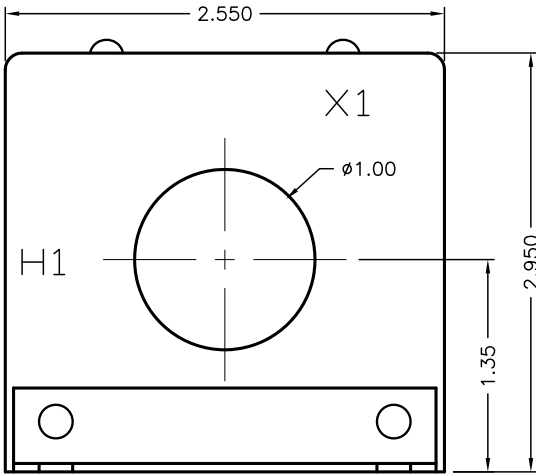
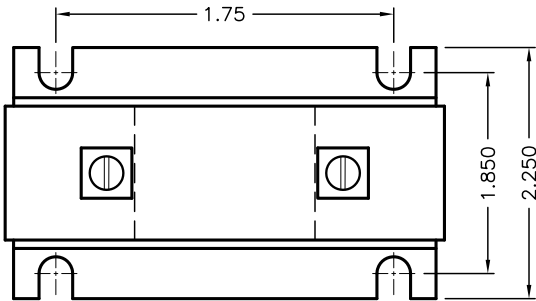
ALL RIGHTS RESERVED. NO PORTION OF THIS PUBLICATION, WHETHER IN WHOLE OR IN PART CAN BE REPRODUCED WITHOUT THE EXPRESS WRITTEN CONSENT OF SPC TECHNOLOGY.

SPC-F005.DWG

REVISIONS

DOC. NO. SPC-F005 • Effective: 7/8/02 • DCP No: 1398

DCP #	REV	DESCRIPTION	DRAWN	DATE	CHECKD	DATE	APPRVD	DATE
1941	A	RELEASED	JWM	10/28/02	JN	03/20/08	JN	03/20/08



SPC Type No.	Current Ratio	Accuracy @ 60 Hz	Burden VA @ 60Hz
SPC21633	50:5	±3%	2.0
SPC21634	60:5		
SPC21635	75:5		
SPC21636	80:5		
SPC21637	100:5	±1%	2.5
SPC21638	120:5		
SPC21639	125:5		
SPC21640	150:5		4.0
SPC21641	200:5		
SPC21642	250:5		
SPC21643	300:5		

Notes:

1. Fully encapsulated—indoor/outdoor
2. 5 amp secondary
3. Rf: 1.33 @ 30°C ambient
4. Insulation Class: 0.6 kV BIL 10kV full wave
5. Approx. Weight: .5 lb.
6. Terminals are brass #8-32 UNC

DISCLAIMER: ALL STATEMENTS AND TECHNICAL INFORMATION CONTAINED HEREIN ARE BASED UPON INFORMATION AND/OR TESTS WE BELIEVE TO BE ACCURATE AND RELIABLE. SINCE CONDITIONS OF USE ARE BEYOND OUR CONTROL, THE USER SHALL DETERMINE THE SUITABILITY OF THE PRODUCT FOR THE INTENDED USE AND ASSUME ALL RISK AND LIABILITY WHATSOEVER IN CONNECTION THEREWITH.

TOLERANCES: UNLESS OTHERWISE SPECIFIED, DIMENSIONS ARE FOR REFERENCE PURPOSES ONLY.

DRAWN BY:	DATE:
Jeff McVicker	10/28/02
CHECKED BY:	DATE:
Jason Nash	03/20/08
APPROVED BY:	DATE:
Jason Nash	03/20/08

DRAWING TITLE:			
TRANSFORMERS, AC CURRENT, SQUARE STYLE			
SIZE	DWG. NO.	ELECTRONIC FILE	REV
A	TA-880	TA-880.DWG	A
SCALE: NTS	U.O.M.: INCHES	SHEET: 1 OF 1	