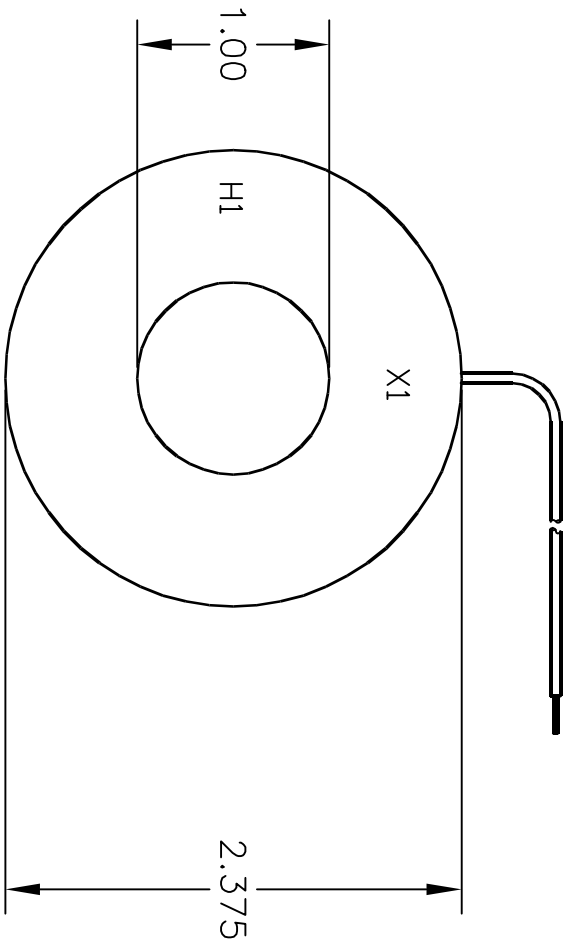
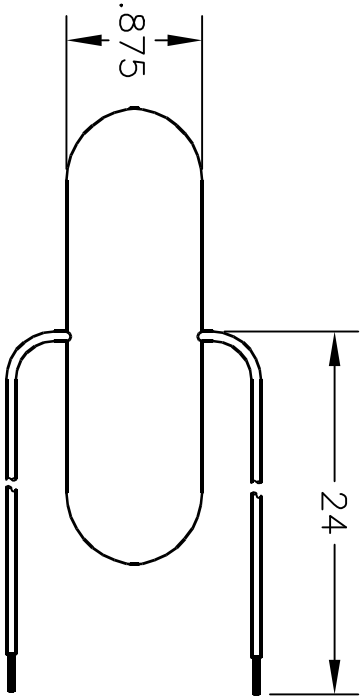


ALL RIGHTS RESERVED. NO PORTION OF THIS PUBLICATION, WHETHER IN WHOLE OR IN PART CAN BE REPRODUCED WITHOUT THE EXPRESS WRITTEN CONSENT OF SPC TECHNOLOGY.

REVISIONS		DOC. NO. SPC-F005	* Effective: 12/21/98		* DCP No: 860			
DCP #	REV	DESCRIPTION	DRAWN	DATE	CHECKD	DATE	APPRVD	DATE
639	A	RELEASED	JMM	5/17/01	JC	8/24/01	DJC	8/29/01



- Specifications**
1. Frequency: 50~400Hz. Rf: 1.33 @ 30°C amb.
 2. Insulation Class: 0.6kV BIL 10kV. Full Wave
 3. Leads: #16 AWG UL 1050 105°C CSA approved
 4. Approximate weight: 0.5 lb
 5. Fully Encapsulated - indoor/outdoor applications
 6. Standard 5 amp secondary

SPC Type No.	Current Ratio	Accuracy @ 60Hz	Burden VA @ 60Hz
SPC5095	50:5	±3%	2.0
SPC5096	60:5		
SPC5097	75:5	±2%	2.5
SPC5098	80:5		
SPC5099	100:5	±1%	4.0
SPC5100	120:5		
SPC5101	125:5		
SPC5102	150:5	±1%	6.0
SPC5103	200:5		
SPC5104	250:5		8.0
SPC5105	300:5		

DISCLAIMER:
ALL STATEMENTS AND TECHNICAL INFORMATION CONTAINED HEREIN ARE BASED UPON INFORMATION AND/OR TESTS WE BELIEVE TO BE ACCURATE AND RELIABLE. SINCE CONDITIONS OF USE ARE BEYOND OUR CONTROL, THE USER SHALL DETERMINE THE SUITABILITY OF THE PRODUCT FOR THE INTENDED USE AND ASSUME ALL RISK AND LIABILITY WHATSOEVER IN CONNECTION THEREWITH.

UNLESS OTHERWISE SPECIFIED, DIMENSIONS ARE FOR REFERENCE PURPOSES ONLY.

DRAWN BY:	DATE:
Jeff McVicker	5/17/01
CHECKED BY:	DATE:
JOHN COLE	8/24/01
APPROVED BY:	DATE:
Daniel Carey	8/29/01

DRAWING TITLE:

Current Transformer



SPC TECHNOLOGY

SIZE	DWG. NO.	ELECTRONIC FILE	REV
A	TA-337	TA-337.dwg	A
SCALE:	NTS	U.O.M.: INCHES [mm]	SHEET: 1 OF 1