

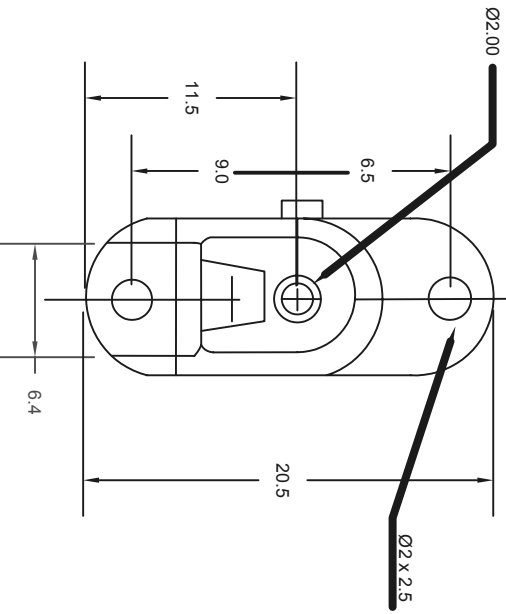
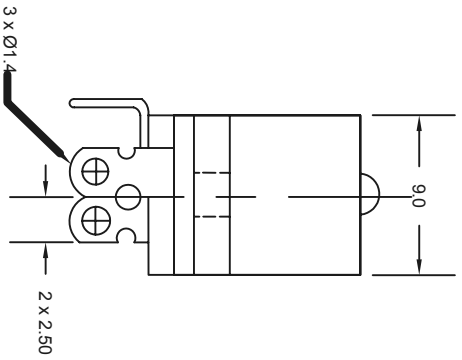
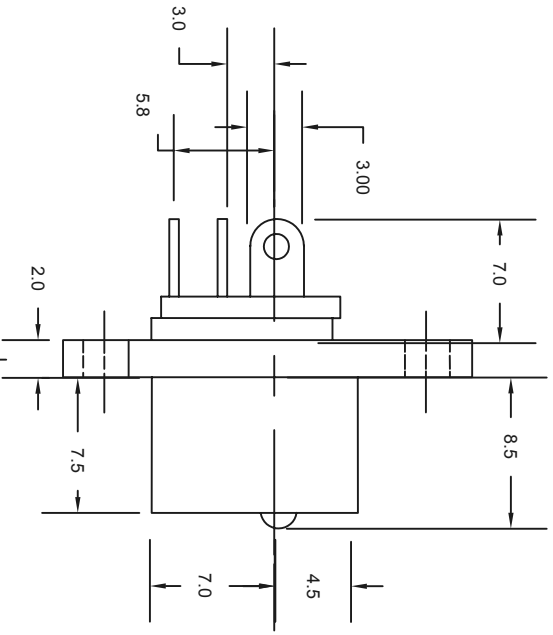


SPC  
TECHNOLOGY

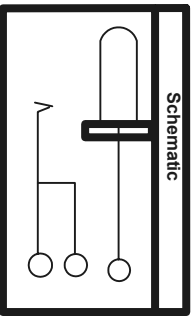
ALL RIGHTS RESERVED. NO PORTION OF THIS PUBLICATION, WHETHER IN WHOLE OR IN PART CAN BE REPRODUCED WITHOUT THE EXPRESS WRITTEN CONSENT OF SPC TECHNOLOGY.

SPC-F005.DWG

REVISIONS		DOC. NO.	SPC-F005	Effective:	7/8/02	DCP No:	1398	
DCP #	REV	DESCRIPTION	DRAWN	DATE	CHECKD	DATE	APPRVD	DATE
			SHS	03-08-10	JAG	12-08-10	XXX	XXX



Dimensions : Inches



**Part Number Table**

Description	Part Number
Power Jack	SPC21370

- Specifications:**
- Electrical**
    - Contact Rating : 5A at 6VDC
    - Contact Resistance : 30 milliohms max.
    - Insulation Resistance : 100 Megohms min. at 500VDC
    - Dielectric Strength : 500VAC
  - Mechanical**
    - Insertion Force : 0.3 to 3.0 kg
    - Withdrawal Force : 0.3 to 3.0 kg
    - Operating Life : 5,000 cycles

**DISCLAIMER:**  
ALL STATEMENTS AND TECHNICAL INFORMATION CONTAINED HEREIN ARE BASED UPON INFORMATION AND/OR TESTS WE BELIEVE TO BE ACCURATE AND RELIABLE. SINCE CONDITIONS OF USE ARE BEYOND OUR CONTROL, THE USER SHALL DETERMINE THE SUITABILITY OF THE PRODUCT FOR THE INTENDED USE AND ASSUME ALL RISK AND LIABILITY WHATSOEVER IN CONNECTION THEREWITH.

**TOLERANCES:**  
UNLESS OTHERWISE SPECIFIED, DIMENSIONS ARE FOR REFERENCE PURPOSES ONLY.

DRAWN BY:	SHS	DATE:	03-08-10
CHECKED BY:	JAG	DATE:	XXX
APPROVED BY:	XXX	DATE:	XXX

**DRAWING TITLE:**  
**Power Jack**

SIZE	DWG. NO.	ELECTRONIC FILE	REV
XXX	XXX	84N1188	A
SCALE:	NTS	U.O.M.: INCHES [mm]	SHEET: 1 OF 1