

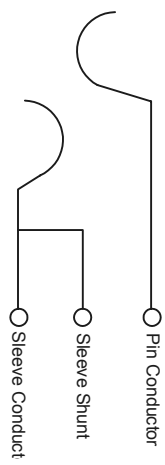
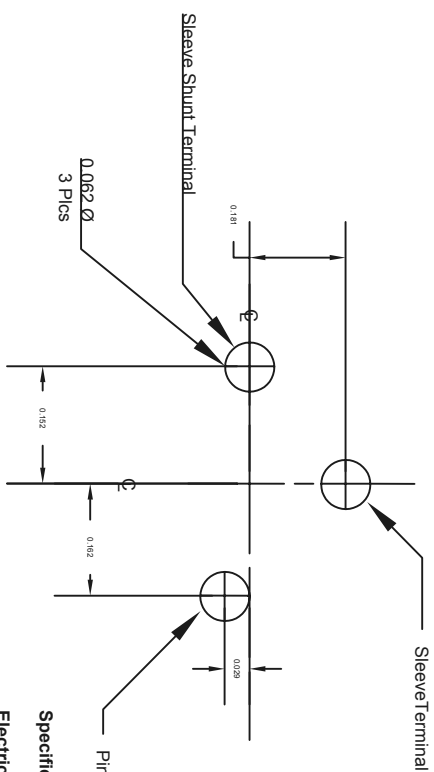
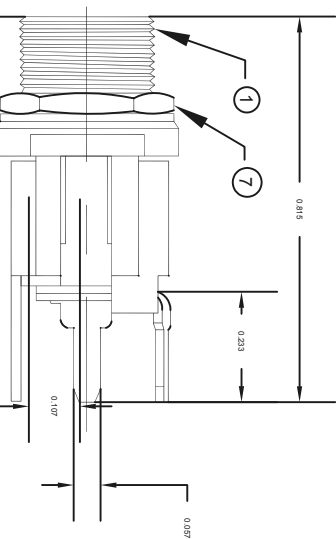
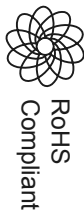


SPC
TECHNOLOGY

ALL RIGHTS RESERVED. NO PORTION OF THIS PUBLICATION, WHETHER IN WHOLE OR IN PART CAN BE REPRODUCED WITHOUT THE EXPRESS WRITTEN CONSENT OF SPC TECHNOLOGY.

SPC-F005.DWG

REVISIONS		DCP #	REV	DESCRIPTION	DRAWN	DATE	CHECKD	DATE	APPRVD	DATE
					SHA	23-08-10	JAG	26-08-10	XXX	06-09-10



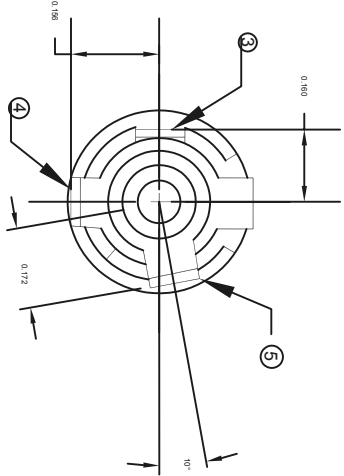
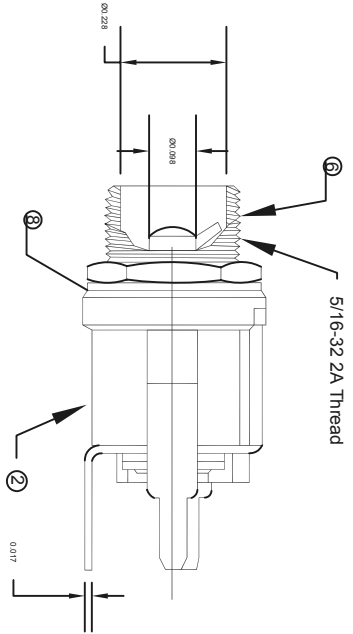
Specifications

Electrical/Mechanical

- Contact Rating: 5A at 12 VDC
- Contact Resistance: 20 milliohms max.
- Insulation Resistance: 10,000 Megohms min. at 500 VDC
- Dielectric Strength: 500 VAC
- Insertion Force: 0.3 to 3.0kg
- Withdrawal Force: 0.3 to 3.0kg
- Operating Life: 10,000 cycles
- Hardware: Nut, Washer

Environmental

-Operating Temperature: -25°C to 70°C



Dimensions : Inches

Item	Description	Qty	Material/Finish
1	Mounting Bushing	1	Brass, Nickel Plated
2	Housing	1	ABS Plastic
3	Sleeve Shunt Terminal	1	Phosphor Bronze, Silver Plated
4	Sleeve Terminal	1	Phosphor Bronze, Silver Plated
5	Pin Terminal	1	Brass, Silver Plated
6	Pin Terminal	1	Brass, Nickel Plated
7	Hex Nut 5/16-32	1	Brass, Nickel Plated
8	Flat Washer	1	Steel, Nickel Plated

Part Number Table

Description	Part Number
DC Power Jack, Panel Mount	SPC21362

TOLERANCES:

UNLESS OTHERWISE SPECIFIED, DIMENSIONS ARE FOR REFERENCE PURPOSES ONLY.

DISCLAIMER: ALL STATEMENTS AND TECHNICAL INFORMATION CONTAINED HEREIN ARE BASED UPON INFORMATION AND/OR TESTS WE BELIEVE TO BE ACCURATE AND RELIABLE. SINCE CONDITIONS OF USE ARE BEYOND OUR CONTROL, THE USER SHALL DETERMINE THE SUITABILITY OF THE PRODUCT FOR THE INTENDED USE AND ASSUME ALL RISK AND LIABILITY WHATSOEVER IN CONNECTION THEREWITH.

DRAWN BY:	DATE:
SHA	23-08-10
CHECKED BY:	DATE:
JAG	26-08-10
APPROVED BY:	DATE:
XXX	06-09-10

DRAWING TITLE:		SCALE:	U.O.M.:	SHEET:	OF
DC Power Jack, Panel Mount		NTS	INCHES [mm]	1	1
SIZE:	DWG. NO.:	ELECTRONIC FILE		REV	
XXX	XXX	84N1159		A	