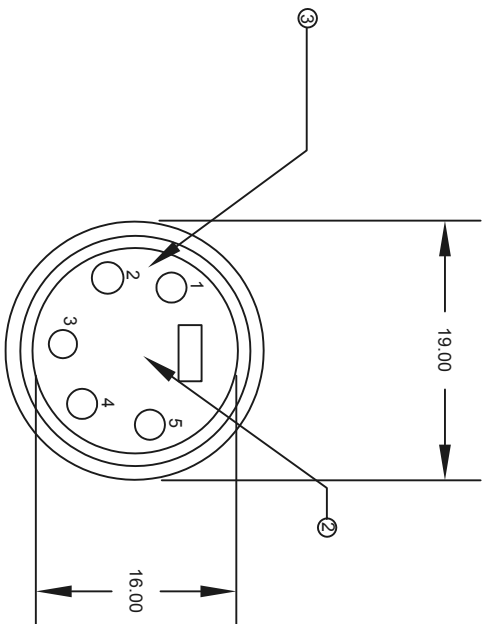




SPC
TECHNOLOGY

ALL RIGHTS RESERVED. NO PORTION OF THIS PUBLICATION, WHETHER IN WHOLE OR IN PART CAN BE REPRODUCED WITHOUT THE EXPRESS WRITTEN CONSENT OF SPC TECHNOLOGY.
SPC-F005.DWG

REVISIONS		DOC. NO. SPC-F005	* Effective: 7/8/02	* DCP No: 1398				
DCP #	REV	DESCRIPTION	DRAWN	DATE	CHECKD	DATE	APPRVD	DATE
			SHS	03-08-10	JAG	12-08-10	XXX	XXX



Electrical Specifications:

- Contact Rating : 15A at 125 VAC
- Contact Resistance : 5 Milliohms max.
- Insulation Resistance : 5000 Megohms min at 500 VDC
- Dielectric Strength : 1400 VAC
- Capacitance : 4pF max.

Mechanical Specifications:

- Insertion Force : 1.0 to 8.0 kg
- Withdrawal Force : 1.0 to 8.0 kg

Environmental Specifications:

- Operating Temperature: -55°C to 70°C

Dimensions : Inches

DISCLAIMER:
ALL STATEMENTS AND TECHNICAL INFORMATION CONTAINED HEREIN ARE BASED UPON INFORMATION AND/OR TESTS WE BELIEVE TO BE ACCURATE AND RELIABLE. SINCE CONDITIONS OF USE ARE BEYOND OUR CONTROL, THE USER SHALL DETERMINE THE SUITABILITY OF THE PRODUCT FOR THE INTENDED USE AND ASSUME ALL RISK AND LIABILITY WHATSOEVER IN CONNECTION THEREWITH.

TOLERANCES:
UNLESS OTHERWISE SPECIFIED, DIMENSIONS ARE FOR REFERENCE PURPOSES ONLY.

DRAWN BY:	SHS	DATE:	03-08-10
CHECKED BY:	JAG	DATE:	12-08-10
APPROVED BY:	XXX	DATE:	18-08-10

DRAWING TITLE:		5 Pin Male XLR Type Audio Cord Plug	
SIZE	DWG. NO.	ELECTRONIC FILE	REV
XXX	XXX	84N1226	A
SCALE:	NTS	U.O.M.: INCHES [mm]	SHEET: 1 OF 1

Item	Part	Material/Finish
1	Housing	Zinc Die Cast/Black Nickel Plated
2	Insert Insulator	PPO.1 UL 94V.0 Rated / Gray
3	Pin	Brass / Gold Plated
4	Cable Relief	PVP / Matte Finish

Part Number Table

Description	Part Number
5 Pin Male XLR Type Audio Cord Plug	SPC21447

